

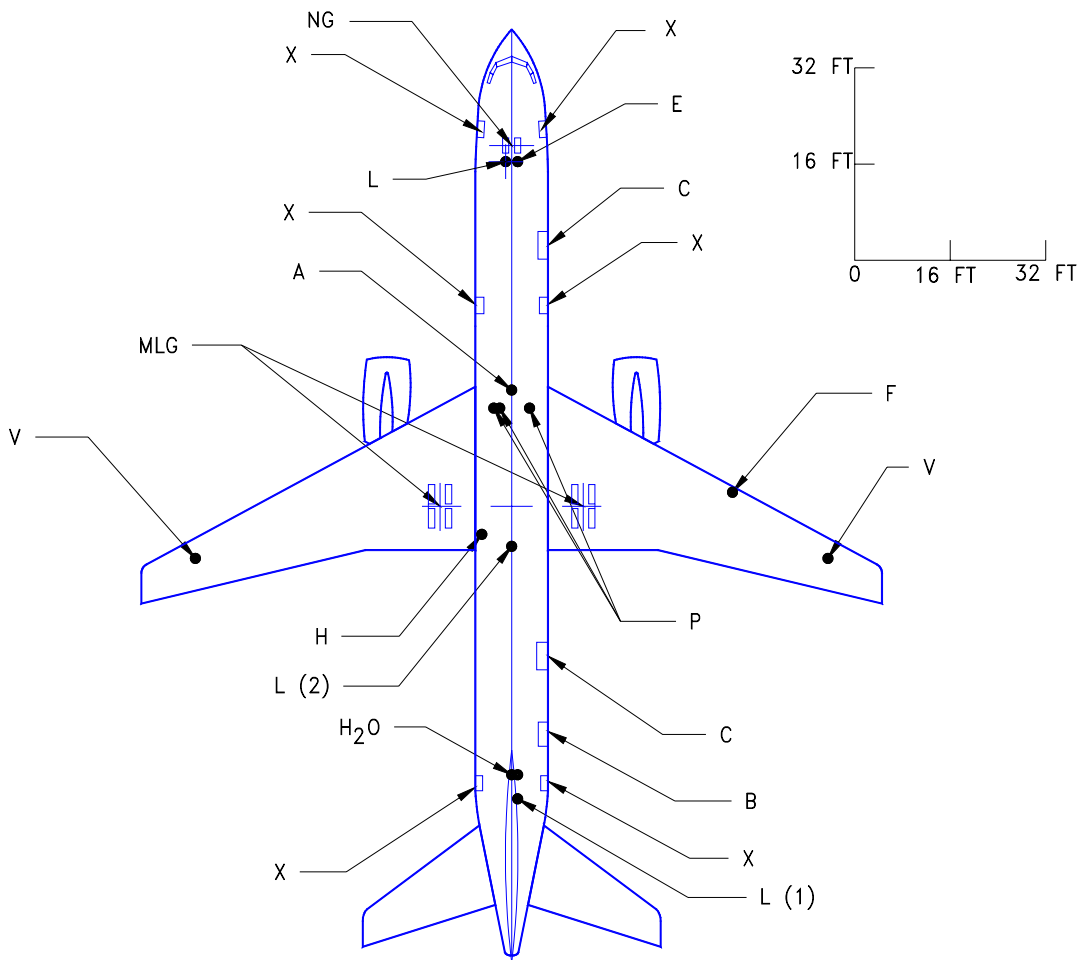
9.0 SCALED 757 DRAWINGS

9.1- 9.5 Scaled Drawings , 757-200

9.6 - 9.10 Scaled Drawings, 757-200PF

9.11 - 9.15 Scaled Drawings, 757-300

THIS PAGE INTENTIONALLY LEFT BLANK



LEGEND

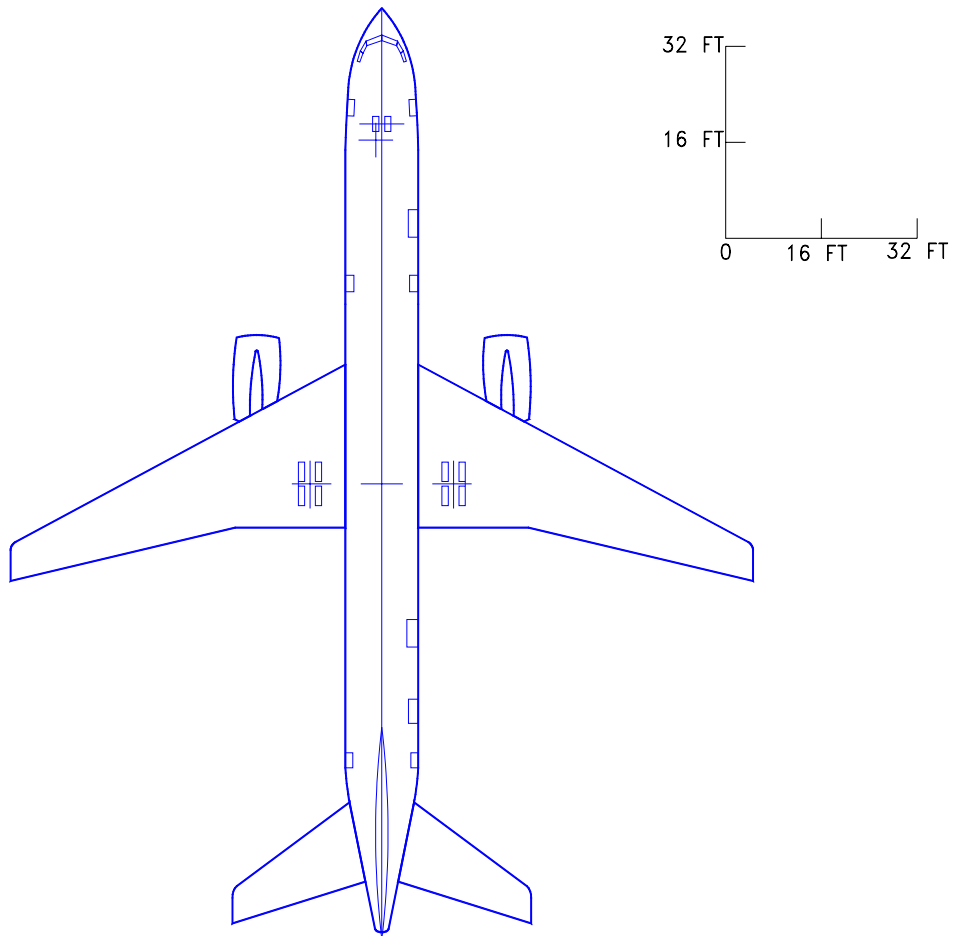
- A AIR CONDITIONING
- B BULK CARGO DOOR (OPTIONAL)
- C CARGO DOOR
- E ELECTRICAL
- F FUEL
- H HYDRAULIC
- H₂O POTABLE WATER
- L LAVATORY
- MLG MAIN LANDING GEAR
- NG NOSE GEAR
- P PNEUMATIC
- V FUEL VENT
- X PASSENGER DOOR

NOTES:

- (1) OVERWING-EXIT AIRPLANE
- (2) FOUR-DOOR AIRPLANE

NOTE: WHEN PRINTING THIS DRAWING, MAKE SURE TO ADJUST FOR PROPER SCALING

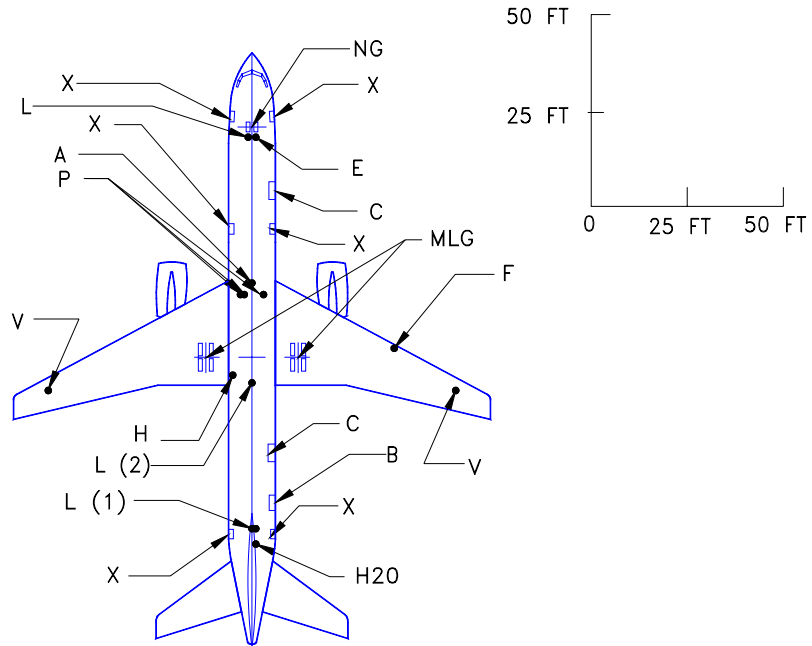
9.1.1 SCALED DRAWING - 1 IN. = 32 FT
 MODEL 757-200



NOTE: WHEN PRINTING THIS DRAWING, MAKE SURE TO ADJUST FOR PROPER SCALING

9.1.2 SCALED DRAWING - 1 IN. = 32 FT
MODEL 757-200

D6-58327



LEGEND

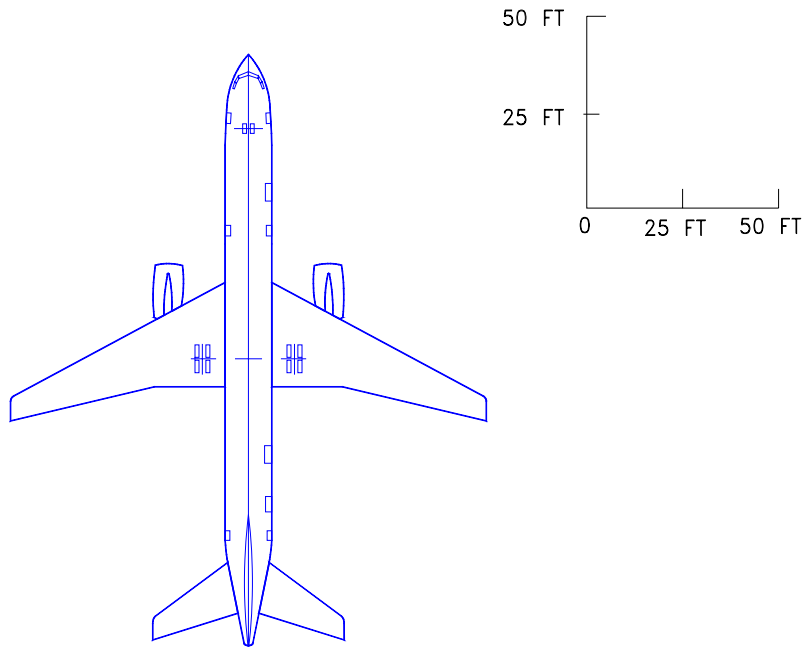
- A AIR CONDITIONING
- B BULK CARGO DOOR (OPTIONAL)
- C CARGO DOOR
- E ELECTRICAL
- F FUEL
- H HYDRAULIC
- H2O POTABLE WATER
- L LAVATORY
- MLG MAIN LANDING GEAR
- NG NOSE GEAR
- P PNEUMATIC
- V FUEL VENT
- X PASSENGER DOOR

NOTES:

- (1) OVERWING-EXIT AIRPLANE
- (2) FOUR-DOOR AIRPLANE

NOTE: WHEN PRINTING THIS DRAWING, MAKE SURE TO ADJUST FOR PROPER SCALING

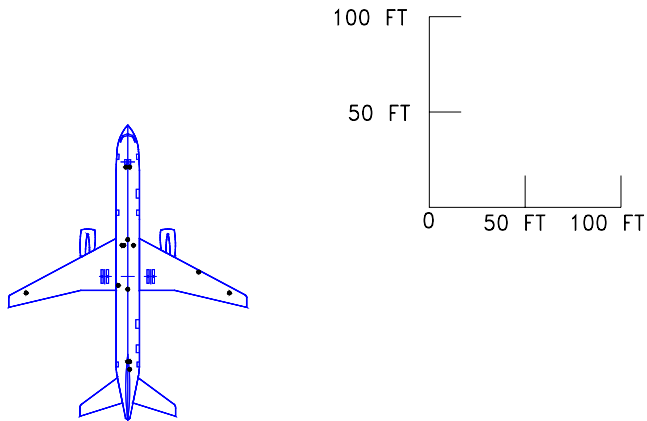
9.2.1 SCALED DRAWING - 1 IN. = 50 FT
MODEL 757-200



NOTE: WHEN PRINTING THIS DRAWING, MAKE SURE TO ADJUST FOR PROPER SCALING

9.2.2 SCALED DRAWING - 1 IN. = 50 FT
MODEL 757-200

D6-58327



LEGEND

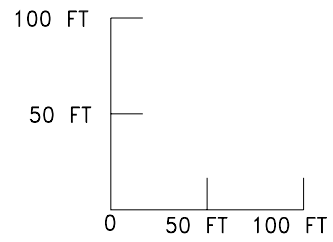
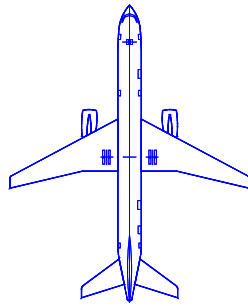
- A AIR CONDITIONING
- B BULK CARGO DOOR (OPTIONAL)
- C CARGO DOOR
- E ELECTRICAL
- F FUEL
- H HYDRAULIC
- H2O POTABLE WATER
- L LAVATORY
- MLG MAIN LANDING GEAR
- NG NOSE GEAR
- P PNEUMATIC
- V FUEL VENT
- X PASSENGER DOOR

NOTE:

SEE SECTION 9.1.1 FOR IDENTIFICATION OF SERVICE POINT LOCATIONS.

NOTE: WHEN PRINTING THIS DRAWING, MAKE SURE TO ADJUST FOR PROPER SCALING

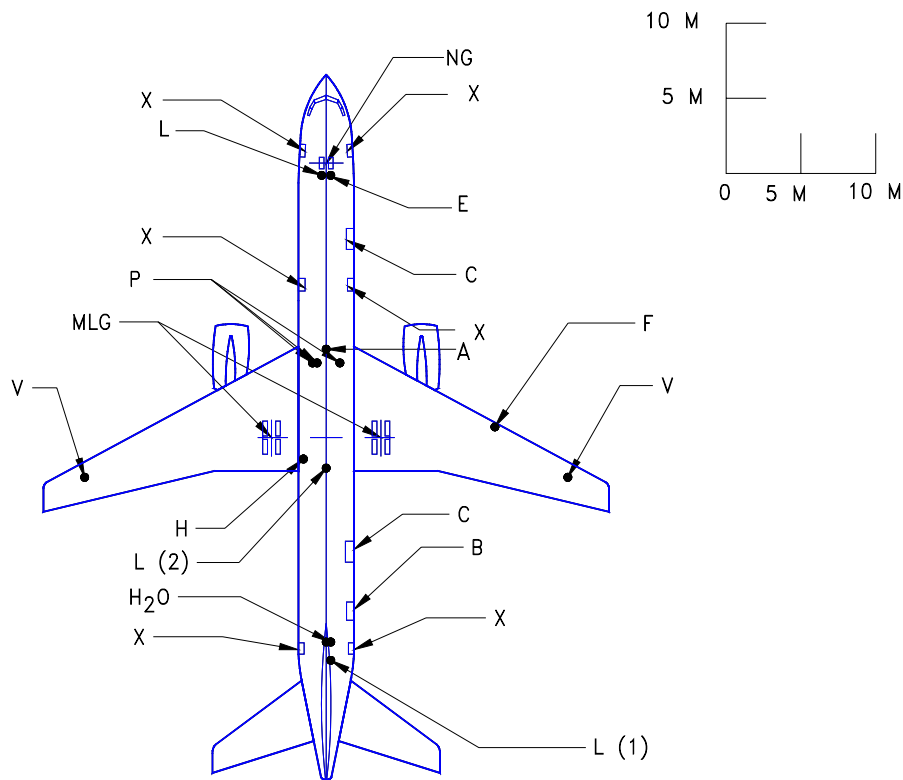
9.3.1 SCALED DRAWING - 1 IN. = 100 FT
MODEL 757-200



NOTE: WHEN PRINTING THIS DRAWING, MAKE SURE TO ADJUST FOR PROPER SCALING

9.3.2 SCALED DRAWING - 1 IN. = 100 FT
MODEL 757-200

D6-58327



LEGEND

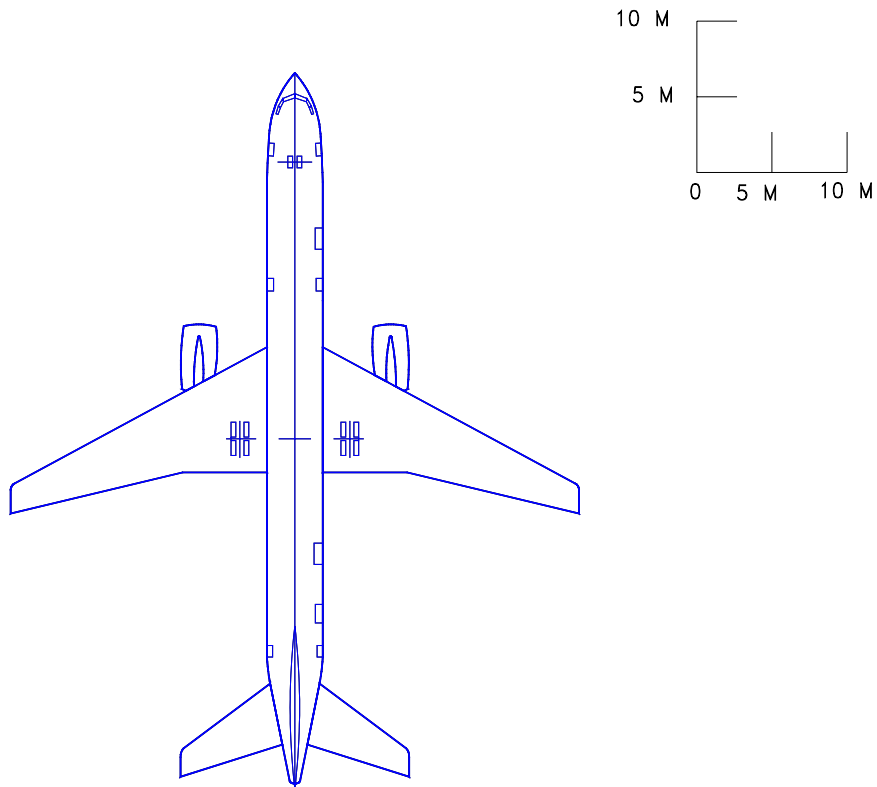
- A AIR CONDITIONING
- B BULK CARGO DOOR (OPTIONAL)
- C CARGO DOOR
- E ELECTRICAL
- F FUEL
- H HYDRAULIC
- H₂O POTABLE WATER
- L LAVATORY
- MLG MAIN LANDING GEAR
- NG NOSE GEAR
- P PNEUMATIC
- V FUEL VENT
- X PASSENGER DOOR

NOTES:

- (1) OVERWING-EXIT AIRPLANE
- (2) FOUR-DOOR AIRPLANE

NOTE: WHEN PRINTING THIS DRAWING, MAKE SURE TO ADJUST FOR PROPER SCALING

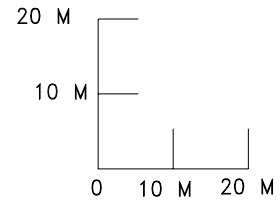
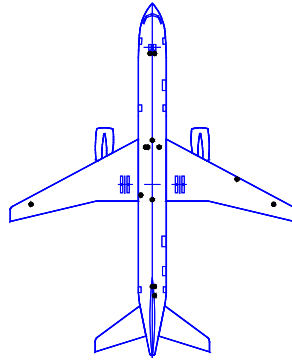
9.4.1 SCALED DRAWING - 1:500
 MODEL 757-200



NOTE: WHEN PRINTING THIS DRAWING, MAKE SURE TO ADJUST FOR PROPER SCALING

9.4.2 SCALED DRAWING - 1:500
MODEL 757-200

D6-58327



LEGEND

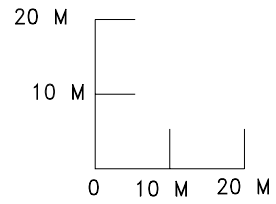
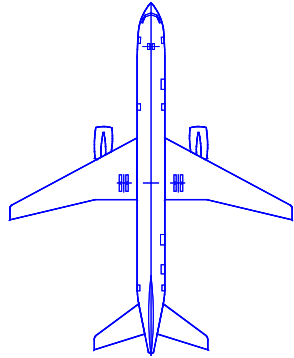
- A AIR CONDITIONING
- B BULK CARGO DOOR (OPTIONAL)
- C CARGO DOOR
- E ELECTRICAL
- F FUEL
- H HYDRAULIC
- H2O POTABLE WATER
- L LAVATORY
- MLG MAIN LANDING GEAR
- NG NOSE GEAR
- P PNEUMATIC
- V FUEL VENT
- X PASSENGER DOOR

NOTE:

SEE SECTION 9.1.1 FOR IDENTIFICATION OF SERVICE POINT LOCATIONS

NOTE: WHEN PRINTING THIS DRAWING, MAKE SURE TO ADJUST FOR PROPER SCALING

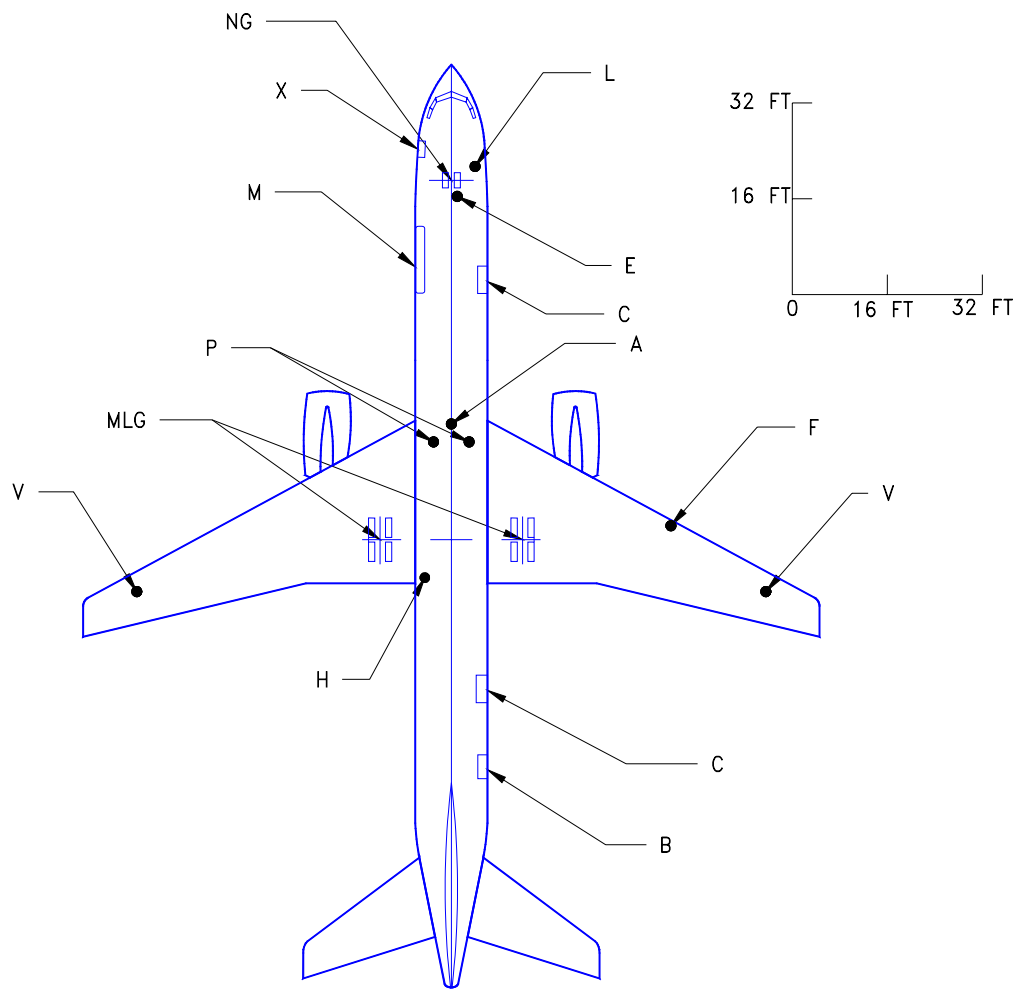
9.5.1 SCALED DRAWING - 1:1000
MODEL 757-200



NOTE: WHEN PRINTING THIS DRAWING, MAKE SURE TO ADJUST FOR PROPER SCALING

9.5.2 SCALED DRAWING - 1:1000
MODEL 757-200

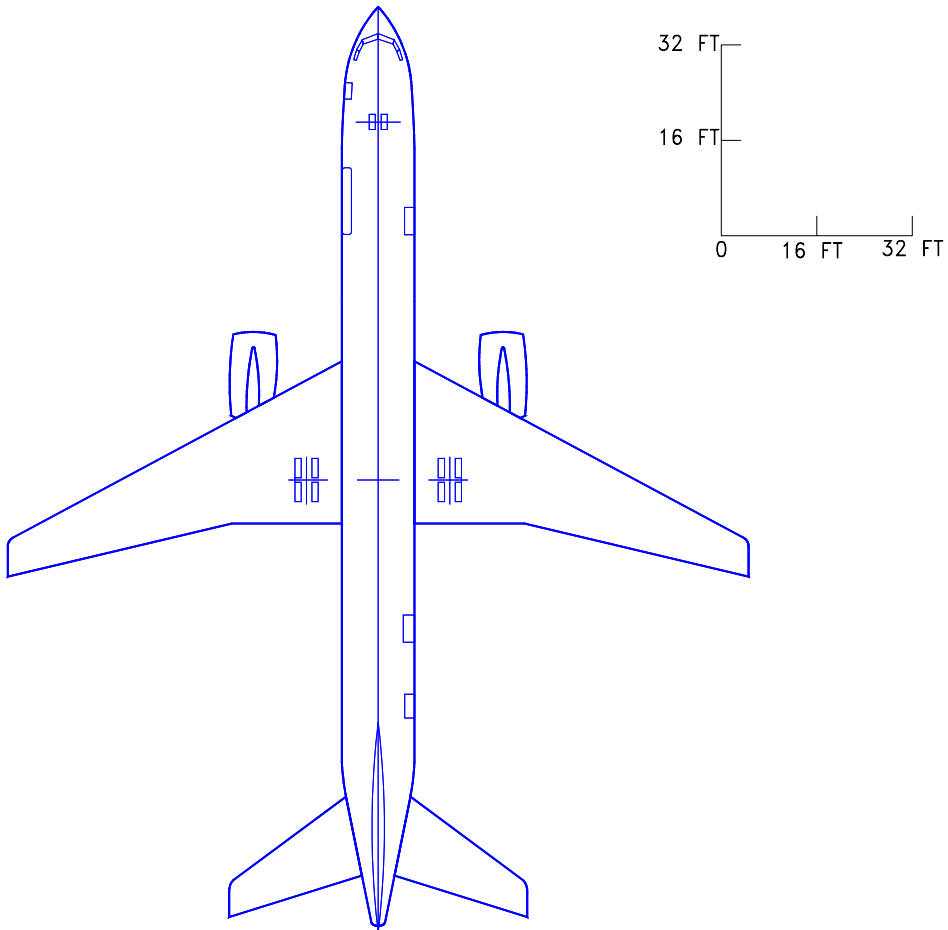
D6-58327



- LEGEND
- A AIR CONDITIONING
 - B BULK CARGO DOOR (OPTIONAL)
 - C CARGO DOOR
 - E ELECTRICAL
 - F FUEL
 - H HYDRAULIC
 - L LAVATORY
 - MLG MAIN LANDING GEAR
 - NG NOSE GEAR
 - P PNEUMATIC
 - V FUEL VENT
 - X PASSENGER DOOR

NOTE: WHEN PRINTING THIS DRAWING, MAKE SURE TO ADJUST FOR PROPER SCALING

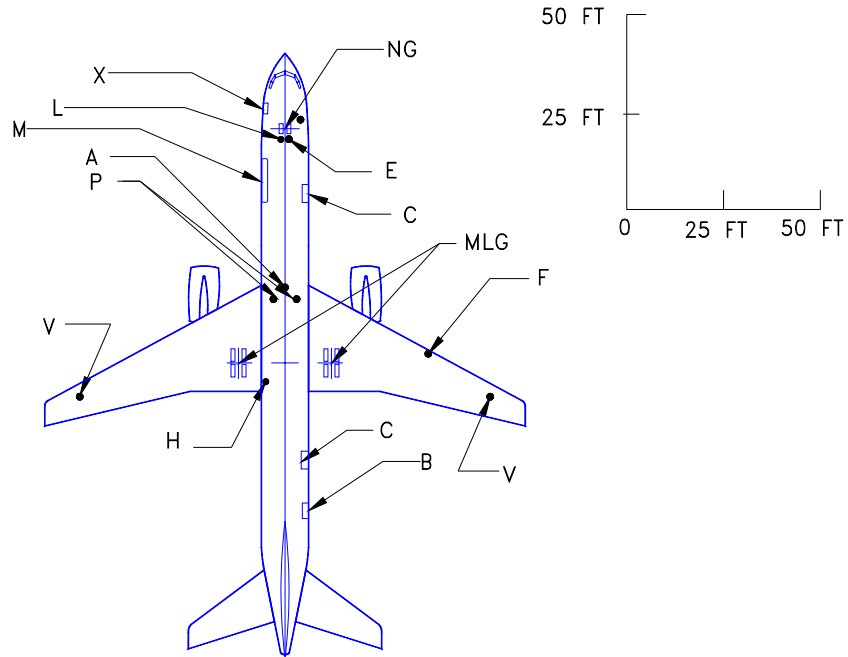
9.6.1 SCALED DRAWING - 1 IN. = 32 FT
 MODEL 757-200PF



NOTE: WHEN PRINTING THIS DRAWING, MAKE SURE TO ADJUST FOR PROPER SCALING

9.6.2 SCALED DRAWING - 1 IN. = 32 FT
MODEL 757-200PF

D6-58327

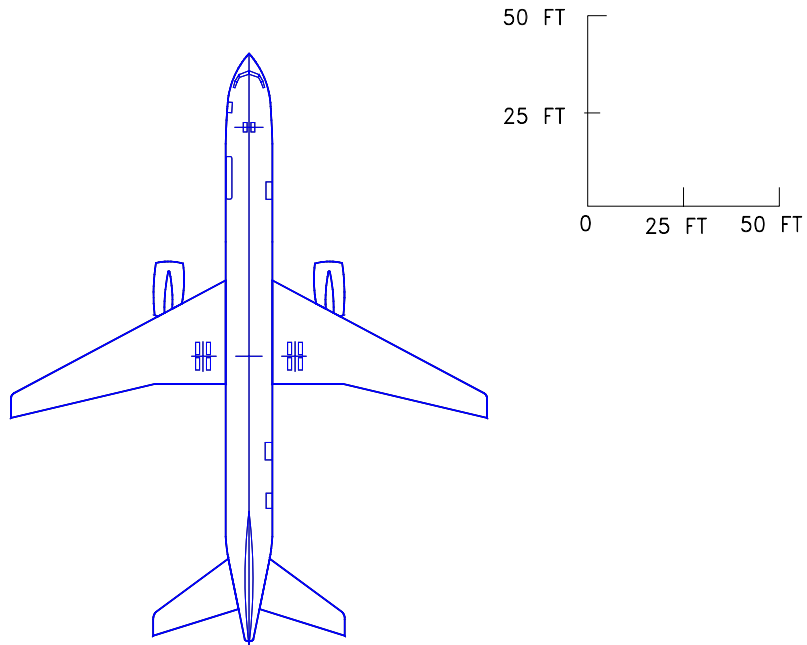


LEGEND

- A AIR CONDITIONING
- B BULK CARGO DOOR (OPTIONAL)
- C CARGO DOOR
- E ELECTRICAL
- F FUEL
- H HYDRAULIC
- L LAVATORY
- MLG MAIN LANDING GEAR
- NG NOSE GEAR
- P PNEUMATIC
- V FUEL VENT
- X PASSENGER DOOR

NOTE: WHEN PRINTING THIS DRAWING, MAKE SURE TO ADJUST FOR PROPER SCALING

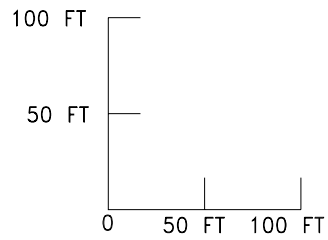
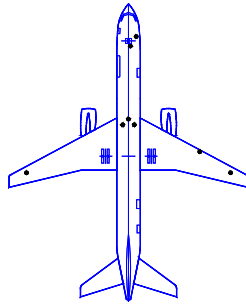
9.7.1 SCALED DRAWING - 1 IN. = 50 FT
 MODEL 757-200PF



NOTE: WHEN PRINTING THIS DRAWING, MAKE SURE TO ADJUST FOR PROPER SCALING

9.7.2 SCALED DRAWING - 1 IN. = 50 FT
MODEL 757-200PF

D6-58327



LEGEND

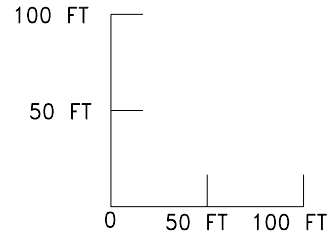
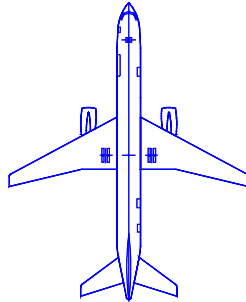
- A AIR CONDITIONING
- B BULK CARGO DOOR (OPTIONAL)
- C CARGO DOOR
- E ELECTRICAL
- F FUEL
- H HYDRAULIC
- L LAVATORY
- MLG MAIN LANDING GEAR
- NG NOSE GEAR
- P PNEUMATIC
- V FUEL VENT
- X PASSENGER DOOR

NOTE:

SEE SECTION 9.6.1 FOR IDENTIFICATION OF SERVICE POINT LOCATIONS.

NOTE: WHEN PRINTING THIS DRAWING, MAKE SURE TO ADJUST FOR PROPER SCALING

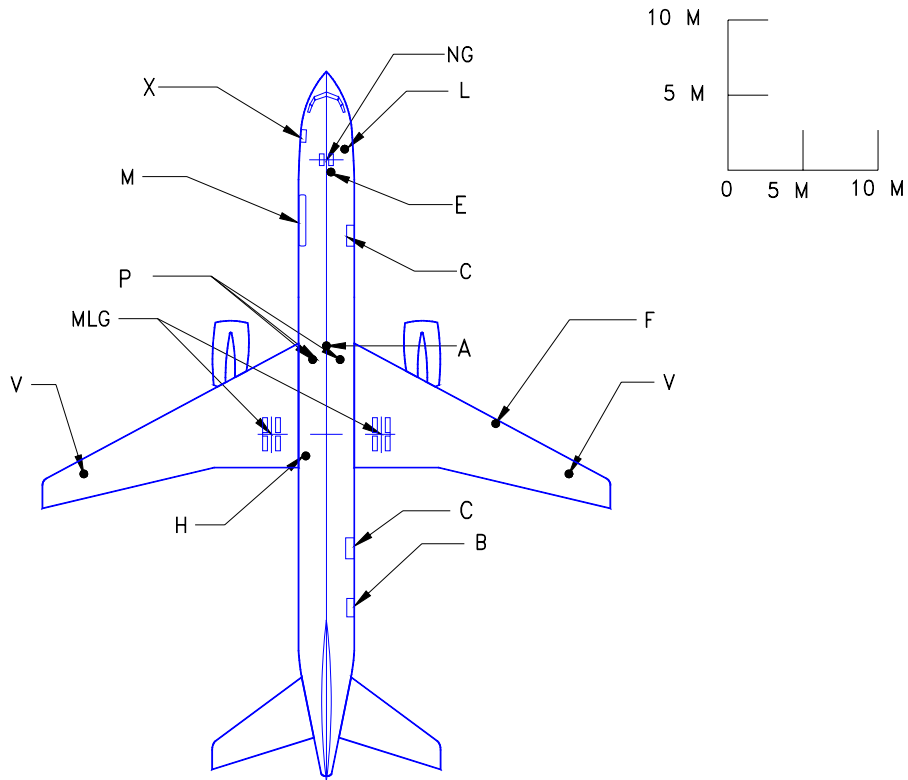
9.8.1 SCALED DRAWING - 1 IN. = 100 FT
MODEL 757-200PF



NOTE: WHEN PRINTING THIS DRAWING, MAKE SURE TO ADJUST FOR PROPER SCALING

9.8.2 SCALED DRAWING - 1 IN. = 100 FT
MODEL 757-200PF

D6-58327

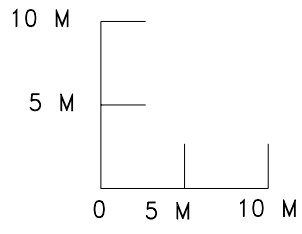
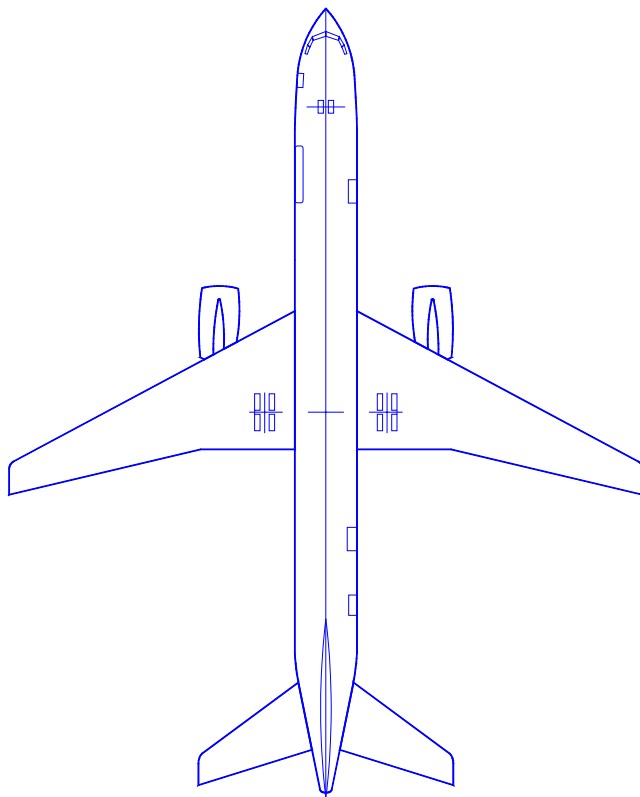


LEGEND

- A AIR CONDITIONING
- B BULK CARGO DOOR (OPTIONAL)
- C CARGO DOOR
- E ELECTRICAL
- F FUEL
- H HYDRAULIC
- L LAVATORY
- MLG MAIN LANDING GEAR
- NG NOSE GEAR
- P PNEUMATIC
- V FUEL VENT
- X PASSENGER DOOR

NOTE: WHEN PRINTING THIS DRAWING, MAKE SURE TO ADJUST FOR PROPER SCALING

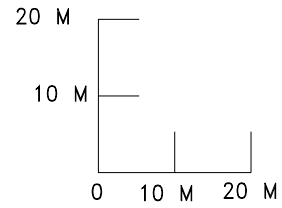
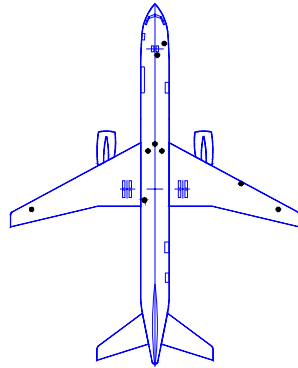
9.9.1 SCALED DRAWING - 1:500
MODEL 757-200PF



NOTE: WHEN PRINTING THIS DRAWING, MAKE SURE TO ADJUST FOR PROPER SCALING

9.9.2 SCALED DRAWING - 1:500
MODEL 757-200PF

D6-58327



LEGEND

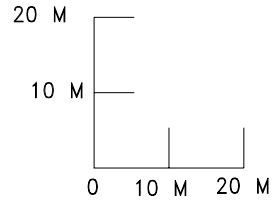
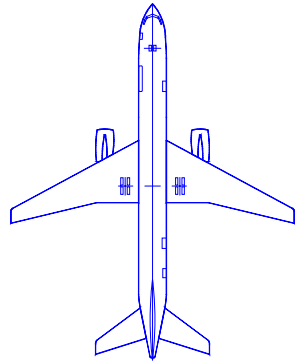
- A AIR CONDITIONING
- B BULK CARGO DOOR (OPTIONAL)
- C CARGO DOOR
- E ELECTRICAL
- F FUEL
- H HYDRAULIC
- L LAVATORY
- MLG MAIN LANDING GEAR
- NG NOSE GEAR
- P PNEUMATIC
- V FUEL VENT
- X PASSENGER DOOR

NOTE:

SEE SECTION 9.6.1 FOR IDENTIFICATION OF SERVICE POINT LOCATIONS

NOTE: WHEN PRINTING THIS DRAWING, MAKE SURE TO ADJUST FOR PROPER SCALING

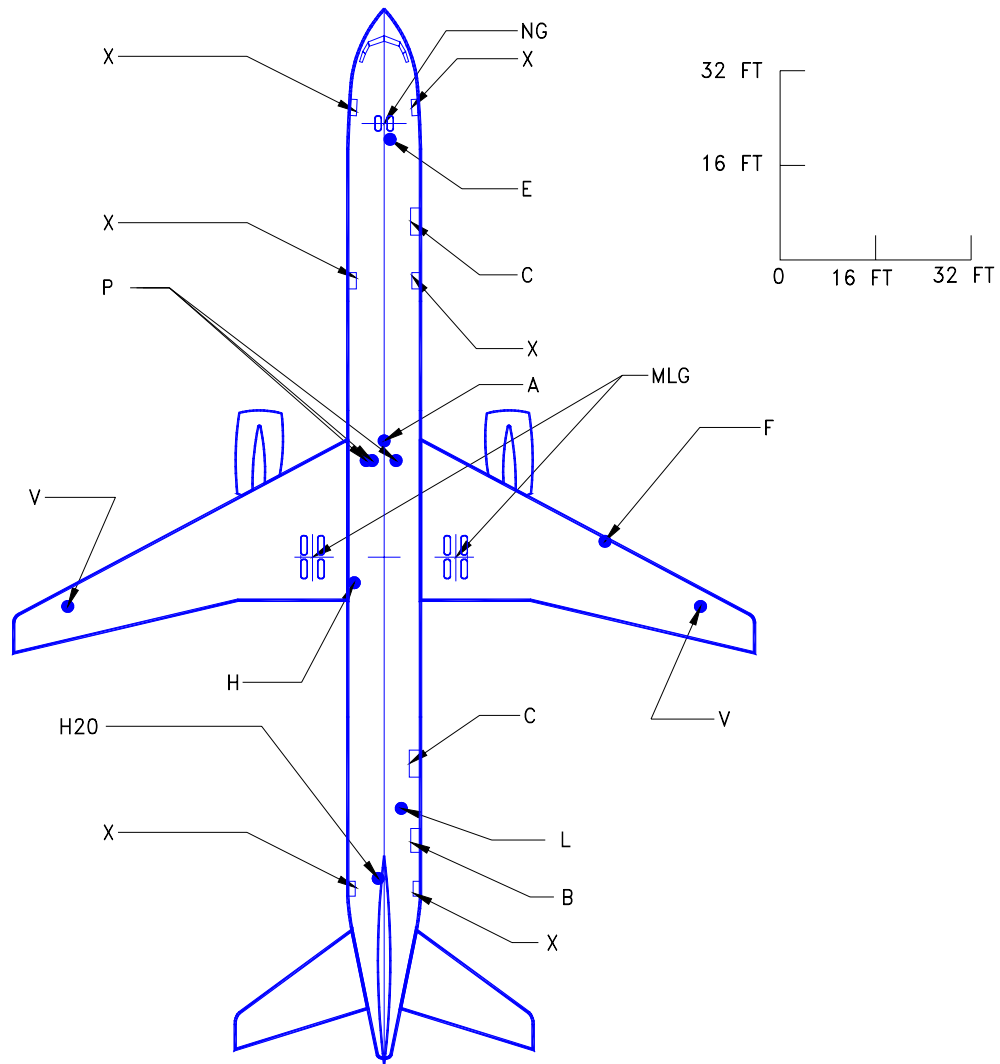
9.10.1 SCALED DRAWING - 1:1000
MODEL 757-200PF



NOTE: WHEN PRINTING THIS DRAWING, MAKE SURE TO ADJUST FOR PROPER SCALING

9.10.2 SCALED DRAWING - 1:1000
MODEL 757-200PF

D6-58327

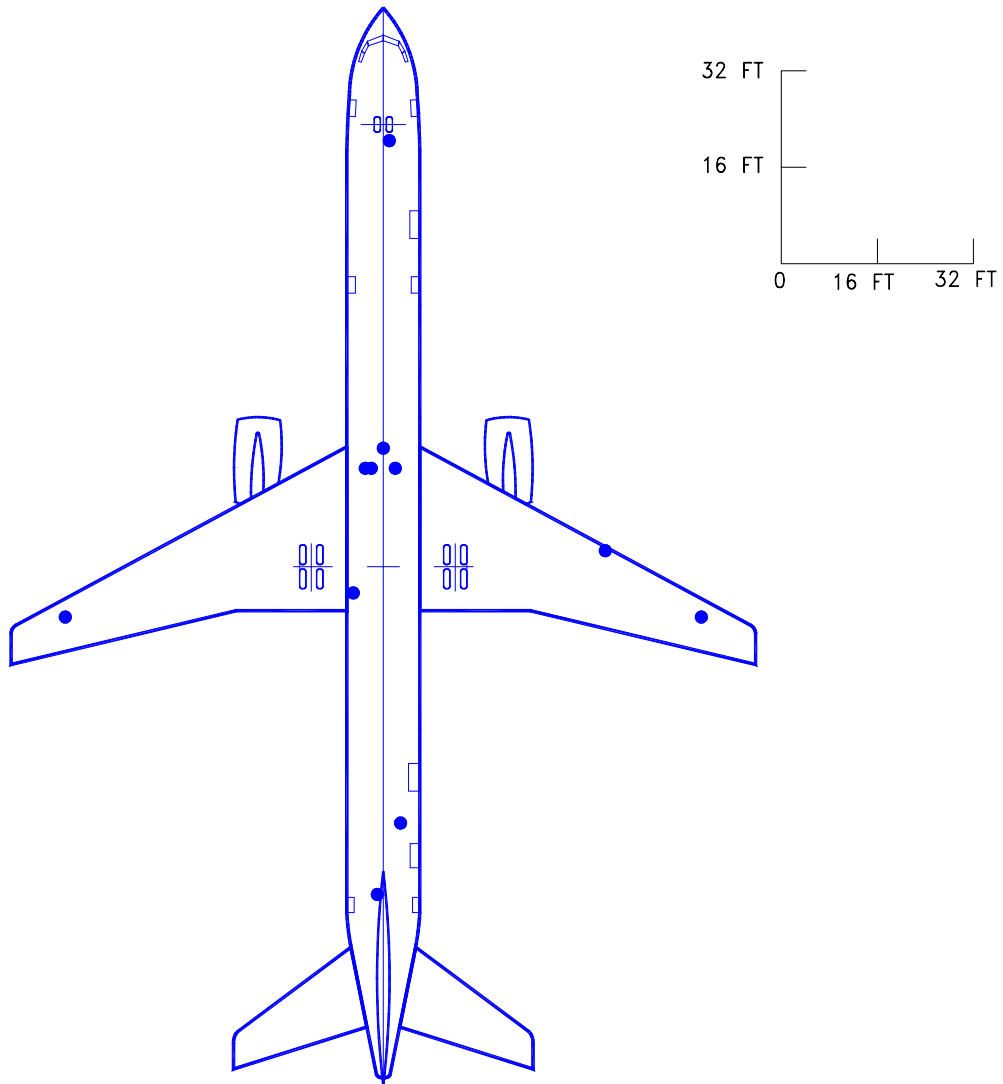


LEGEND

- A AIR CONDITIONING
- B BULK CARGO DOOR
- C CARGO DOOR
- E ELECTRICAL
- F FUEL
- H HYDRAULIC
- H2O POTABLE WATER
- L LAVATORY
- MLG MAIN LANDING GEAR
- NG NOSE GEAR
- P PNEUMATIC
- V FUEL VENT
- X PASSENGER DOOR

NOTE: WHEN PRINTING THIS DRAWING, MAKE SURE TO ADJUST FOR PROPER SCALING

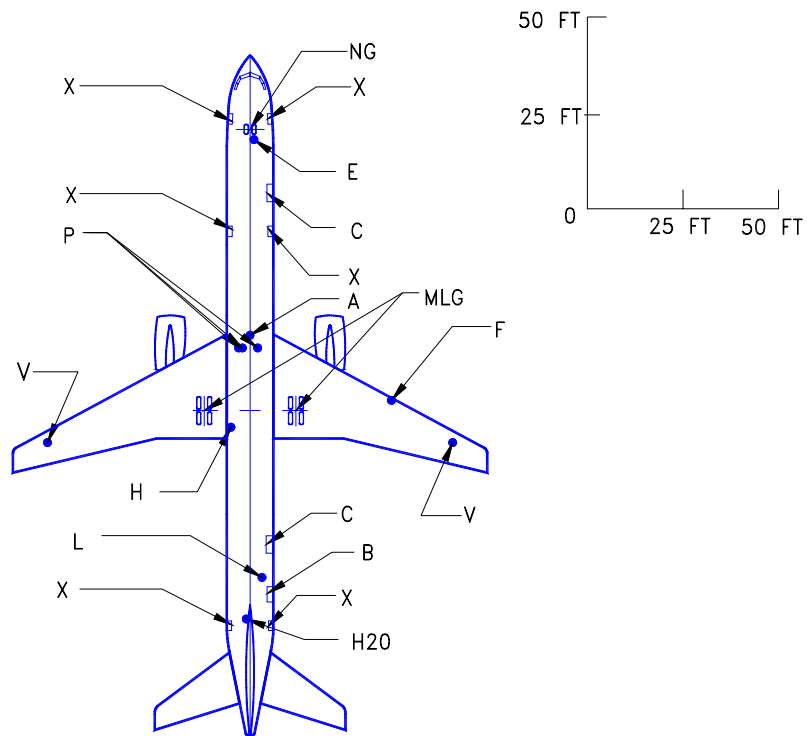
9.11.1 SCALED DRAWING - 1 IN. = 32 FT
 MODEL 757-300



NOTE: WHEN PRINTING THIS DRAWING, MAKE SURE TO ADJUST FOR PROPER SCALING

9.11.2 SCALED DRAWING - 1 IN. = 32 FT
MODEL 757-300

D6-58327

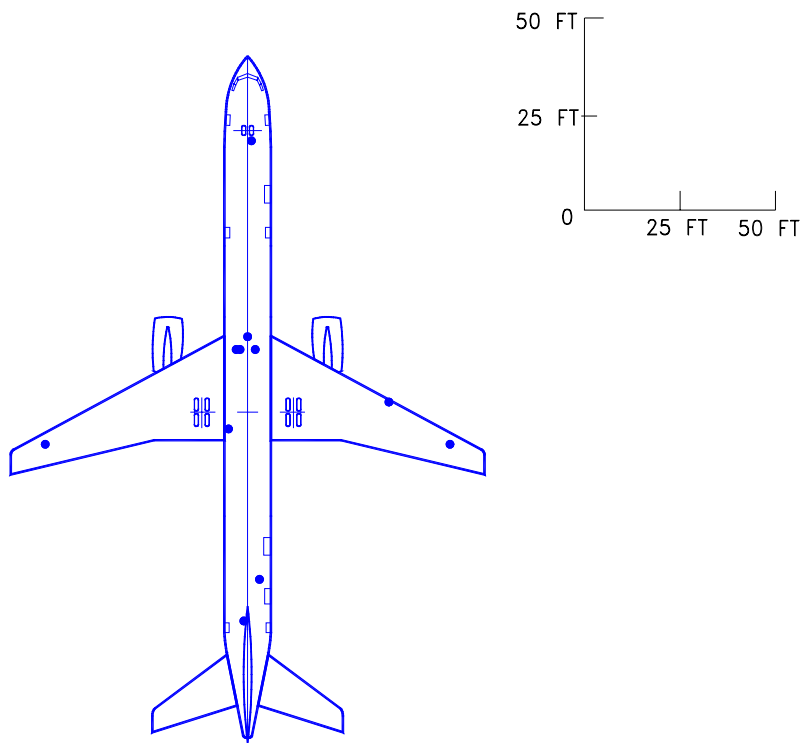


LEGEND

- A AIR CONDITIONING
- B BULK CARGO DOOR
- C CARGO DOOR
- E ELECTRICAL
- F FUEL
- H HYDRAULIC
- H2O POTABLE WATER
- L LAVATORY
- MLG MAIN LANDING GEAR
- NG NOSE GEAR
- P PNEUMATIC
- V FUEL VENT
- X PASSENGER DOOR

NOTE: WHEN PRINTING THIS DRAWING, MAKE SURE TO ADJUST FOR PROPER SCALING

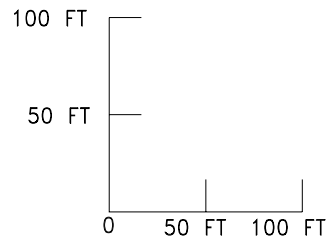
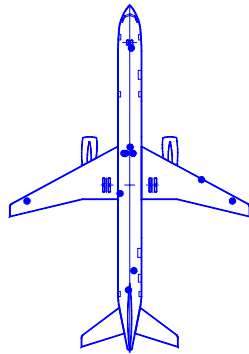
9.12.1 SCALED DRAWING - 1 IN. = 50 FT
 MODEL 757-300



NOTE: WHEN PRINTING THIS DRAWING, MAKE SURE TO ADJUST FOR PROPER SCALING

9.12.2 SCALED DRAWING - 1 IN. = 50 FT
MODEL 757-300

D6-58327



LEGEND

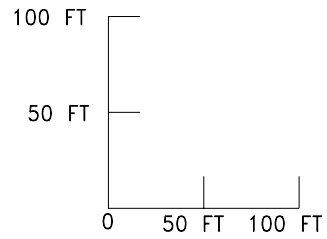
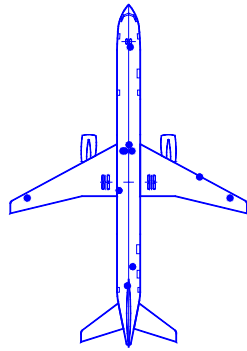
- A AIR CONDITIONING
- B BULK CARGO DOOR
- C CARGO DOOR
- E ELECTRICAL
- F FUEL
- H HYDRAULIC
- H2O POTABLE WATER
- L LAVATORY
- MLG MAIN LANDING GEAR
- NG NOSE GEAR
- P PNEUMATIC
- V FUEL VENT
- X PASSENGER DOOR

NOTE:

SEE SECTION 9.11.1 FOR IDENTIFICATION OF SERVICE POINT LOCATIONS

NOTE: WHEN PRINTING THIS DRAWING, MAKE SURE TO ADJUST FOR PROPER SCALING

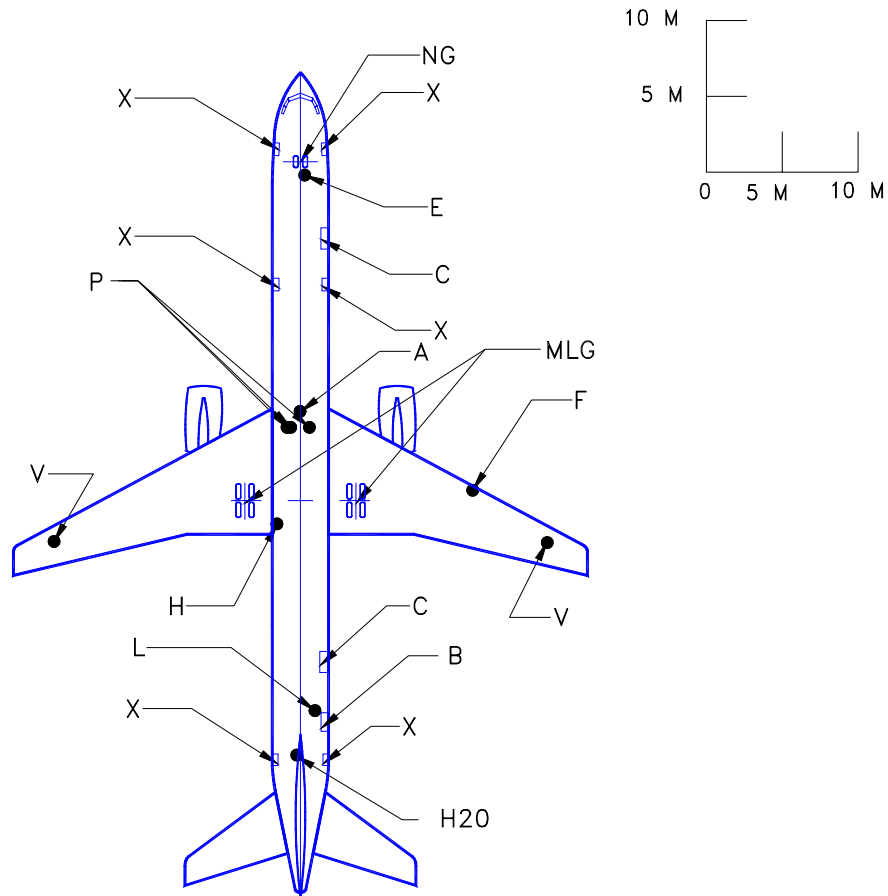
9.13.1 SCALED DRAWING - 1 IN = 100 FT
MODEL 757-300



NOTE: WHEN PRINTING THIS DRAWING, MAKE SURE TO ADJUST FOR PROPER SCALING

9.13.2 SCALED DRAWING - 1 IN = 100 FT
MODEL 757-300

D6-58327

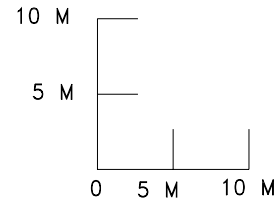
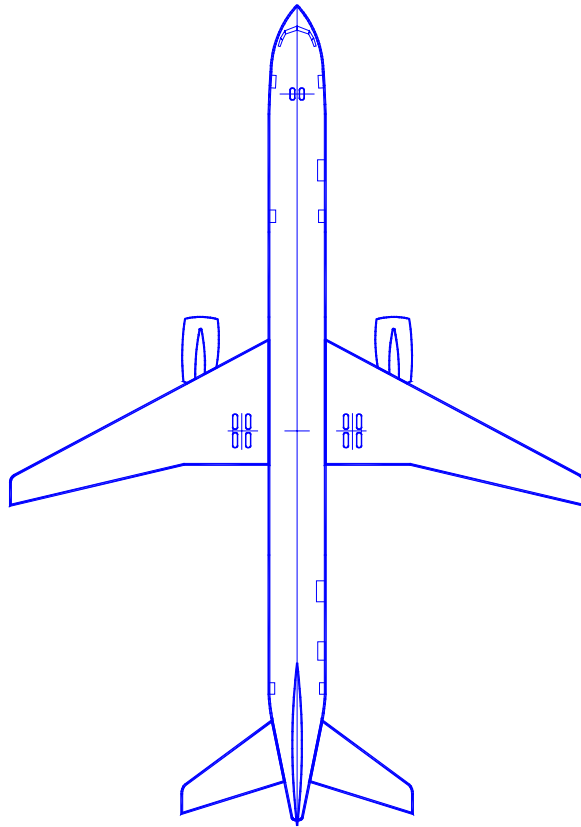


LEGEND

- A AIR CONDITIONING
- B BULK CARGO DOOR
- C CARGO DOOR
- E ELECTRICAL
- F FUEL
- H HYDRAULIC
- H2O POTABLE WATER
- L LAVATORY
- MLG MAIN LANDING GEAR
- NG NOSE GEAR
- P PNEUMATIC
- V FUEL VENT
- X PASSENGER DOOR

NOTE: WHEN PRINTING THIS DRAWING, MAKE SURE TO ADJUST FOR PROPER SCALING

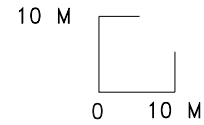
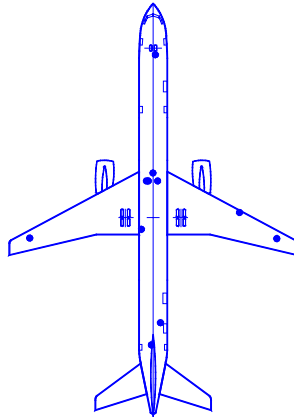
9.14.1 SCALED DRAWING - 1:500
 MODEL 757-300



NOTE: WHEN PRINTING THIS DRAWING, MAKE SURE TO ADJUST FOR PROPER SCALING

9.14.2 SCALED DRAWING - 1:500
MODEL 757-300

D6-58327



LEGEND

- A AIR CONDITIONING
- B BULK CARGO DOOR
- C CARGO DOOR
- E ELECTRICAL
- F FUEL
- H HYDRAULIC
- H2O POTABLE WATER
- L LAVATORY
- MLG MAIN LANDING GEAR
- NG NOSE GEAR
- P PNEUMATIC
- V FUEL VENT
- X PASSENGER DOOR

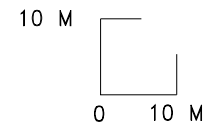
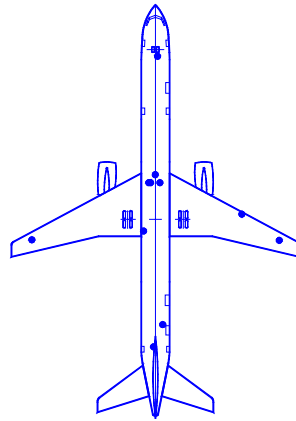
NOTE:

SEE SECTION 9.11.1 FOR IDENTIFICATION OF SERVICE POINT LOCATIONS

NOTE: WHEN PRINTING THIS DRAWING, MAKE SURE TO ADJUST FOR PROPER SCALING

9.15.1 SCALED DRAWING - 1:1000
MODEL 757-300

D6-58327



NOTE: WHEN PRINTING THIS DRAWING, MAKE SURE TO ADJUST FOR PROPER SCALING

9.15.2 SCALED DRAWING - 1:1000
MODEL 757-300

D6-58327