

## **9.0 SCALED 767 DRAWINGS**

**9.1 – 9.5 Model 767-200, -200ER**

**9.6 – 9.10 Model 767-300, -300ER**

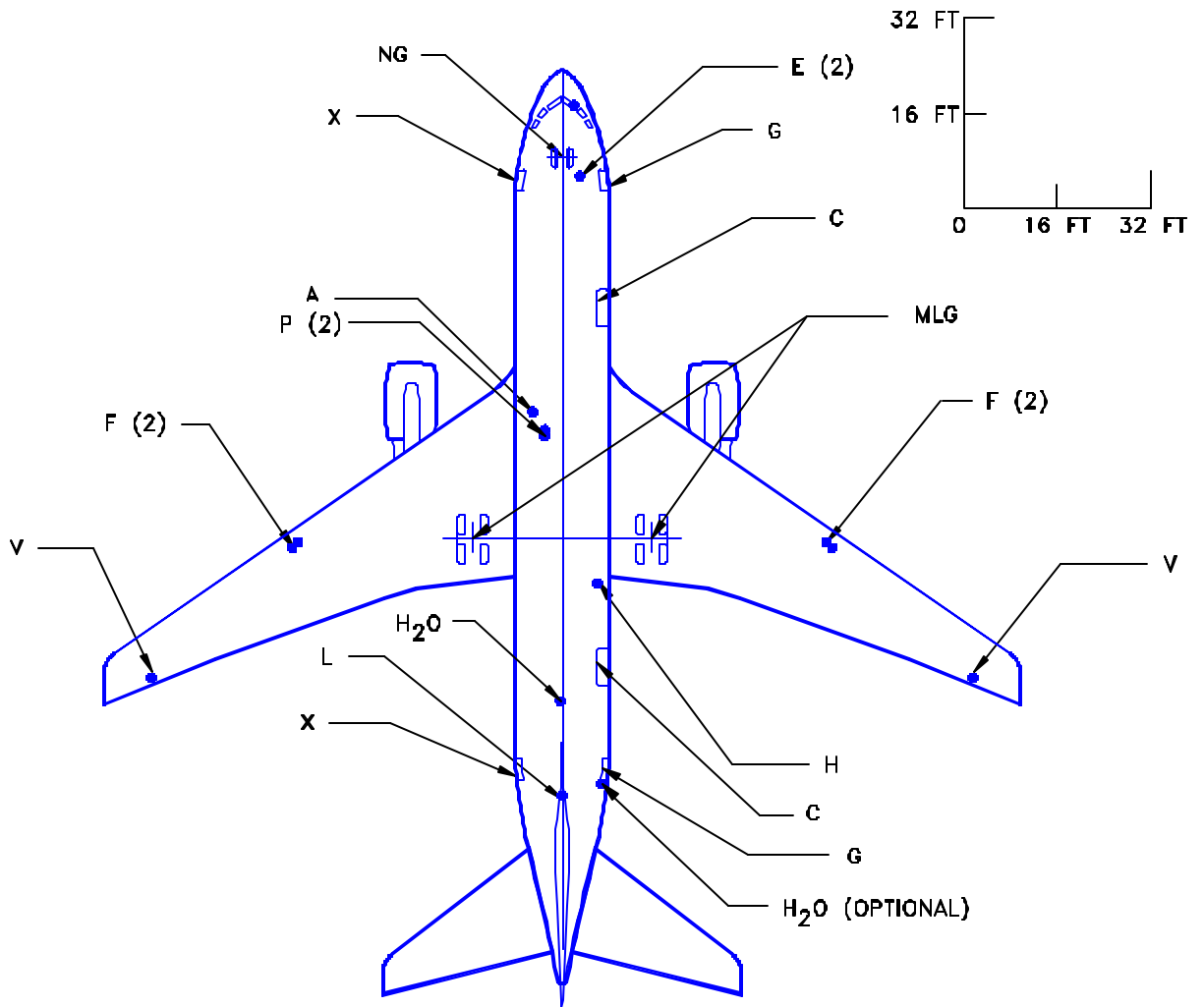
**9.11 – 9.15 Model 767-300 Freighter**

**9.16 – 9.20 Model 767-400ER**

## 9.0 SCALED DRAWINGS

The drawings in the following pages show airplane plan view drawings, drawn to approximate scale as noted. The drawings may not come out to exact scale when printed or copied from this document. Printing scale should be adjusted when attempting to reproduce these drawings. Three-view drawing files of the 767-200, -200ER, -300, -300ER, -300 Freighter, -400ER, along with other Boeing airplane models, can be downloaded from the following website:

<http://www.boeing.com/airports>



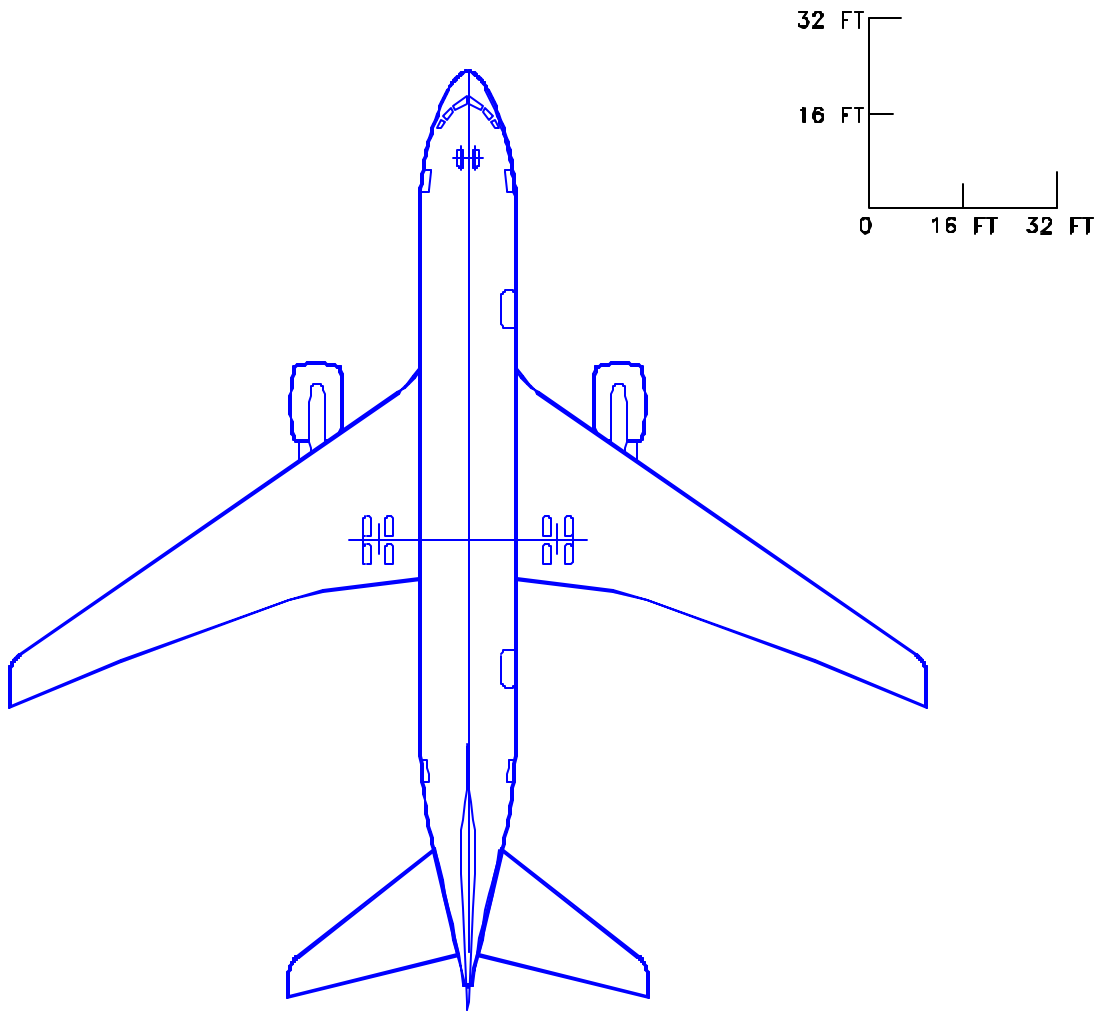
**LEGEND**

- A    CONDITIONED AIR
- C    CARGO DOOR
- E    ELECTRICAL
- F    FUEL
- G    GALLEY SERVICE DOOR
- H    HYDRAULIC
- H<sub>2</sub>O    POTABLE WATER
- L    LAVATORY
- MLG    MAIN LANDING GEAR
- NG    NOSE GEAR
- P    PNEUMATIC
- V    FUEL VENT
- X    PASSENGER DOOR

**NOTE:** FOR TURNING RADIUS DATA  
SEE SECTIONS 4.2 AND 4.3

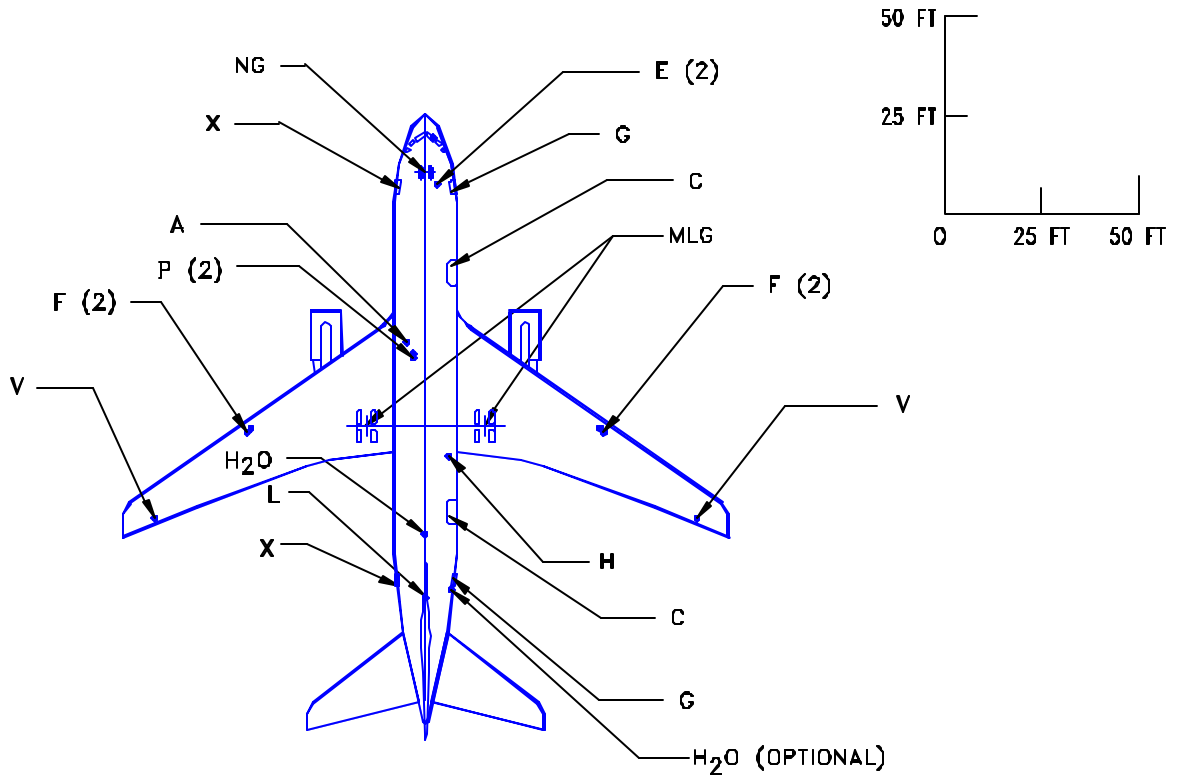
**NOTE: WHEN PRINTING THIS DRAWING, MAKE SURE TO ADJUST FOR PROPER SCALING**

**9.1.1 SCALED DRAWING - 1 IN. = 32 FT**  
*MODEL 767-200, -200ER*



**NOTE: WHEN PRINTING THIS DRAWING, MAKE SURE TO ADJUST FOR PROPER SCALING**

**9.1.2 SCALED DRAWING - 1 IN. = 32 FT**  
*MODEL 767-200, -200ER*



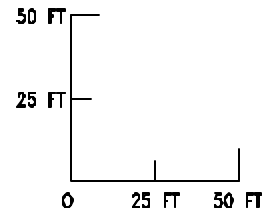
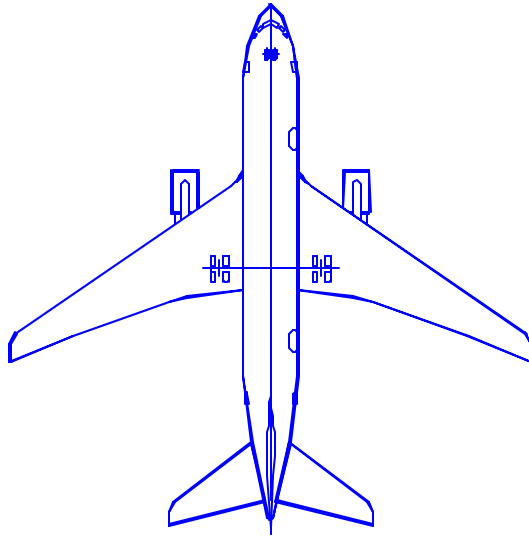
LEGEND

- A   CONDITIONED AIR
- C   CARGO DOOR
- E   ELECTRICAL
- F   FUEL
- G   GALLEY SERVICE DOOR
- H   HYDRAULIC
- H<sub>2</sub>O   POTABLE WATER
- L   LAVATORY
- MLG   MAIN LANDING GEAR
- NG   NOSE GEAR
- P   PNEUMATIC
- V   FUEL VENT
- X   PASSENGER DOOR

NOTE: FOR TURNING RADIUS DATA  
SEE SECTIONS 4.2 AND 4.3

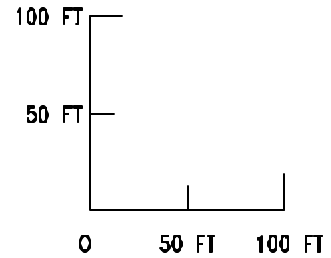
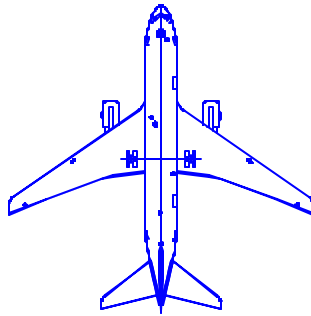
**NOTE: WHEN PRINTING THIS DRAWING, MAKE SURE TO ADJUST FOR PROPER SCALING**

**9.2.1 SCALED DRAWING - 1 IN. = 50 FT**  
MODEL 767-200, -200ER



**NOTE: WHEN PRINTING THIS DRAWING, MAKE SURE TO ADJUST FOR PROPER SCALING**

**9.2.2 SCALED DRAWING - 1 IN. = 50 FT**  
*MODEL 767-200, -200ER*



**NOTE:**

SEE SEC 9.1.1  
LOCATIONS AND IDENTIFICATIONS  
OF SERVICE POINTS

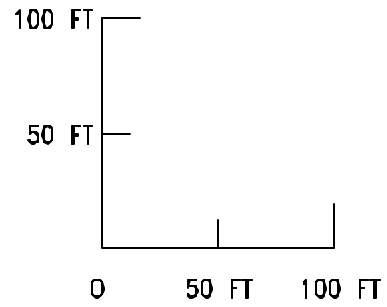
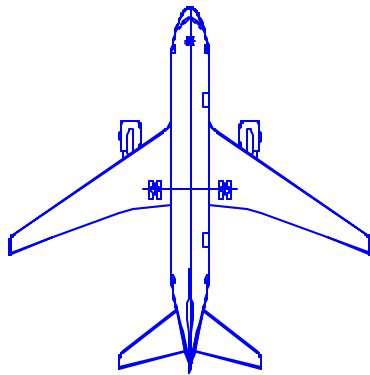
LEGEND

- A CONDITIONED AIR
- C CARGO DOOR
- E ELECTRICAL
- F FUEL
- G GALLEY SERVICE DOOR
- H HYDRAULIC
- H<sub>2</sub>O POTABLE WATER
- L LAVATORY
- MLG MAIN LANDING GEAR
- NG NOSE GEAR
- P PNEUMATIC
- V FUEL VENT
- X PASSENGER DOOR

NOTE: FOR TURNING RADIUS DATA  
SEE SECTIONS 4.2 AND 4.3

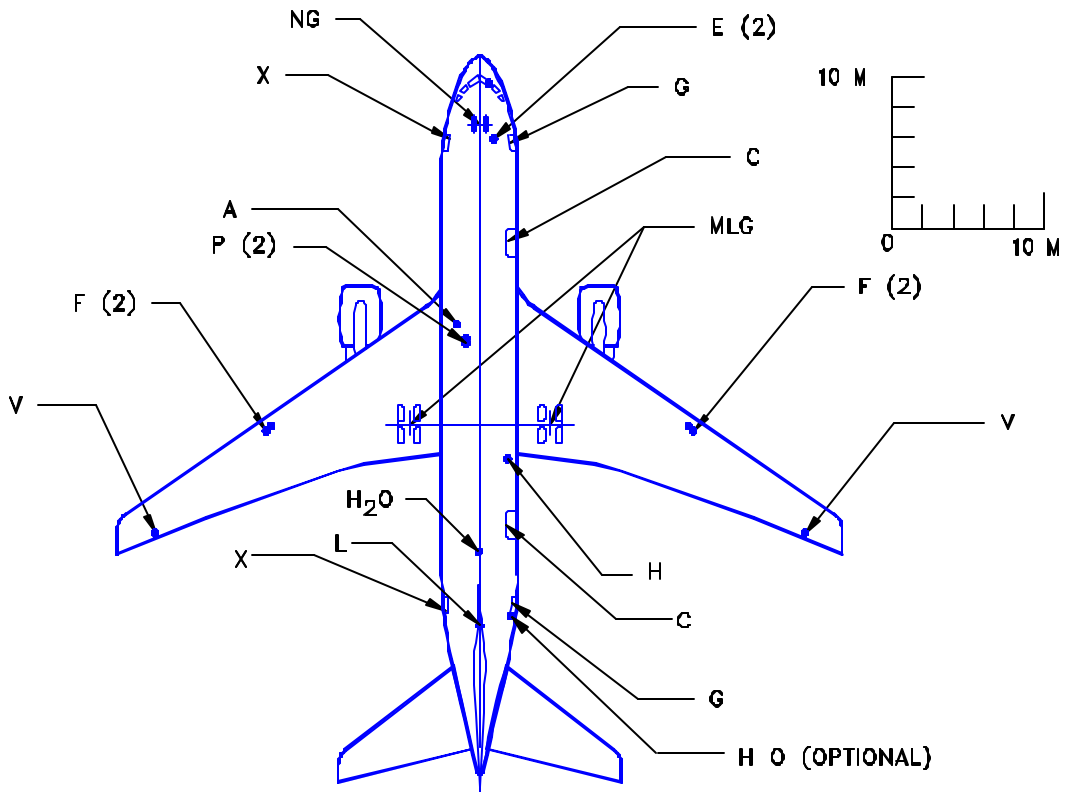
**NOTE: WHEN PRINTING THIS DRAWING, MAKE SURE TO ADJUST FOR PROPER SCALING**

**9.3.1 SCALED DRAWING - 1 IN = 100 FT**  
*MODEL 767-200, -200ER*



**NOTE: WHEN PRINTING THIS DRAWING, MAKE SURE TO ADJUST FOR PROPER SCALING**

**9.3.2 SCALED DRAWING - 1 IN = 100 FT**  
*MODEL 767-200, -200ER*



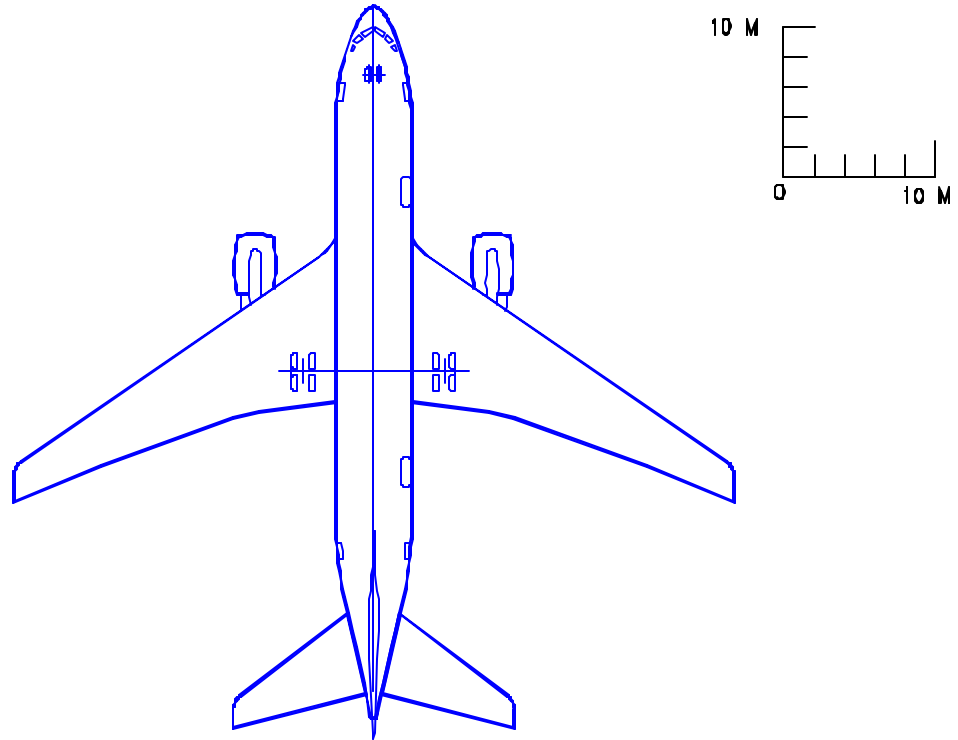
LEGEND

- A CONDITIONED AIR
- C CARGO DOOR
- E ELECTRICAL
- F FUEL
- G GALLEY SERVICE DOOR
- H HYDRAULIC
- H<sub>2</sub>O POTABLE WATER
- L LAVATORY
- MLG MAIN LANDING GEAR
- NG NOSE GEAR
- P PNEUMATIC
- V FUEL VENT
- X PASSENGER DOOR

NOTE: FOR TURNING RADIUS DATA  
SEE SECTIONS 4.2 AND 4.3

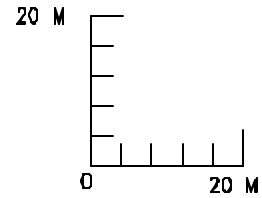
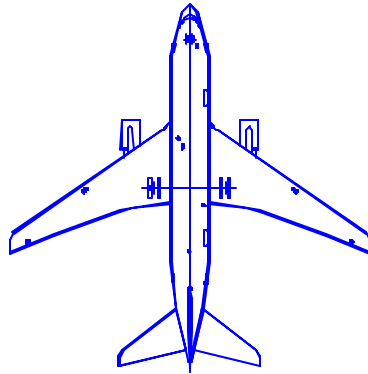
NOTE: WHEN PRINTING THIS DRAWING, MAKE SURE TO ADJUST FOR PROPER SCALING

9.4.1 SCALED DRAWING - 1:500  
MODEL 767-200, -200ER



**NOTE: WHEN PRINTING THIS DRAWING, MAKE SURE TO ADJUST FOR PROPER SCALING**

**9.4.2 SCALED DRAWING - 1:500**  
*MODEL 767-200, -200ER*



**NOTE:**

SEE SEC 9.1.1  
LOCATIONS AND IDENTIFICATIONS  
OF SERVICE POINTS

**LEGEND**

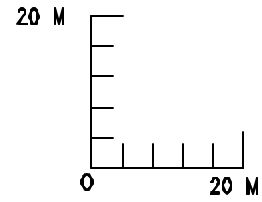
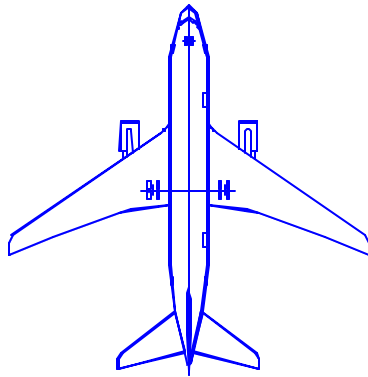
A   CONDITIONED AIR  
C   CARGO DOOR  
E   ELECTRICAL  
F   FUEL  
G   GALLEY SERVICE DOOR  
H   HYDRAULIC  
H<sub>2</sub>O   POTABLE WATER  
L   LAVATORY  
MLG   MAIN LANDING GEAR  
NG   NOSE GEAR  
P   PNEUMATIC  
V   FUEL VENT  
X   PASSENGER DOOR

**NOTE:** FOR TURNING RADIUS DATA  
SEE SECTIONS 4.2 AND 4.3

**NOTE: WHEN PRINTING THIS DRAWING, MAKE SURE TO ADJUST FOR PROPER SCALING**

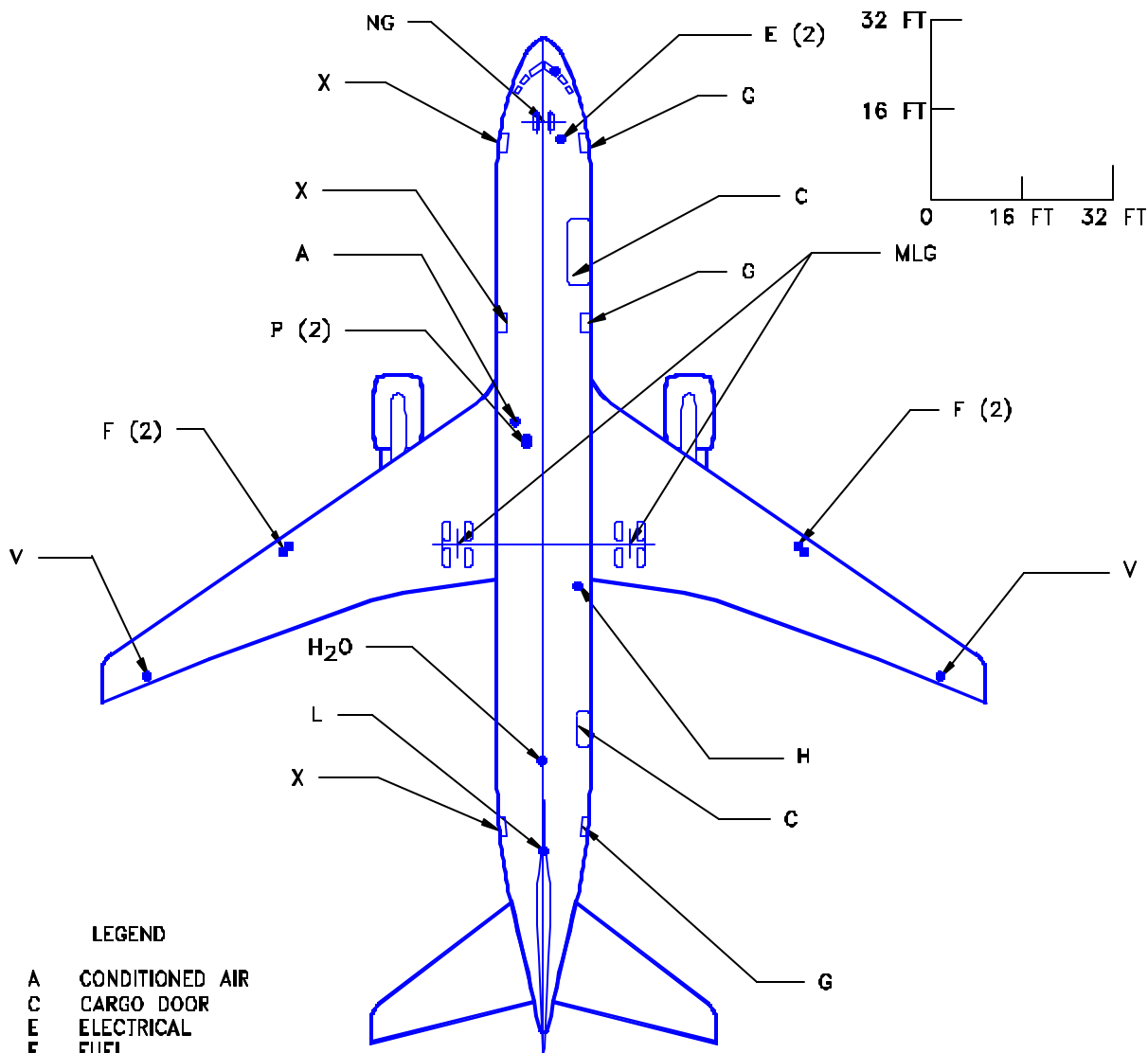
**9.5.1 SCALED DRAWING - 1:1000**

*MODEL 767-200, -200ER*



**NOTE: WHEN PRINTING THIS DRAWING, MAKE SURE TO ADJUST FOR PROPER SCALING**

**9.5.2 SCALED DRAWING - 1:1000**  
*MODEL 767-200, -200ER*



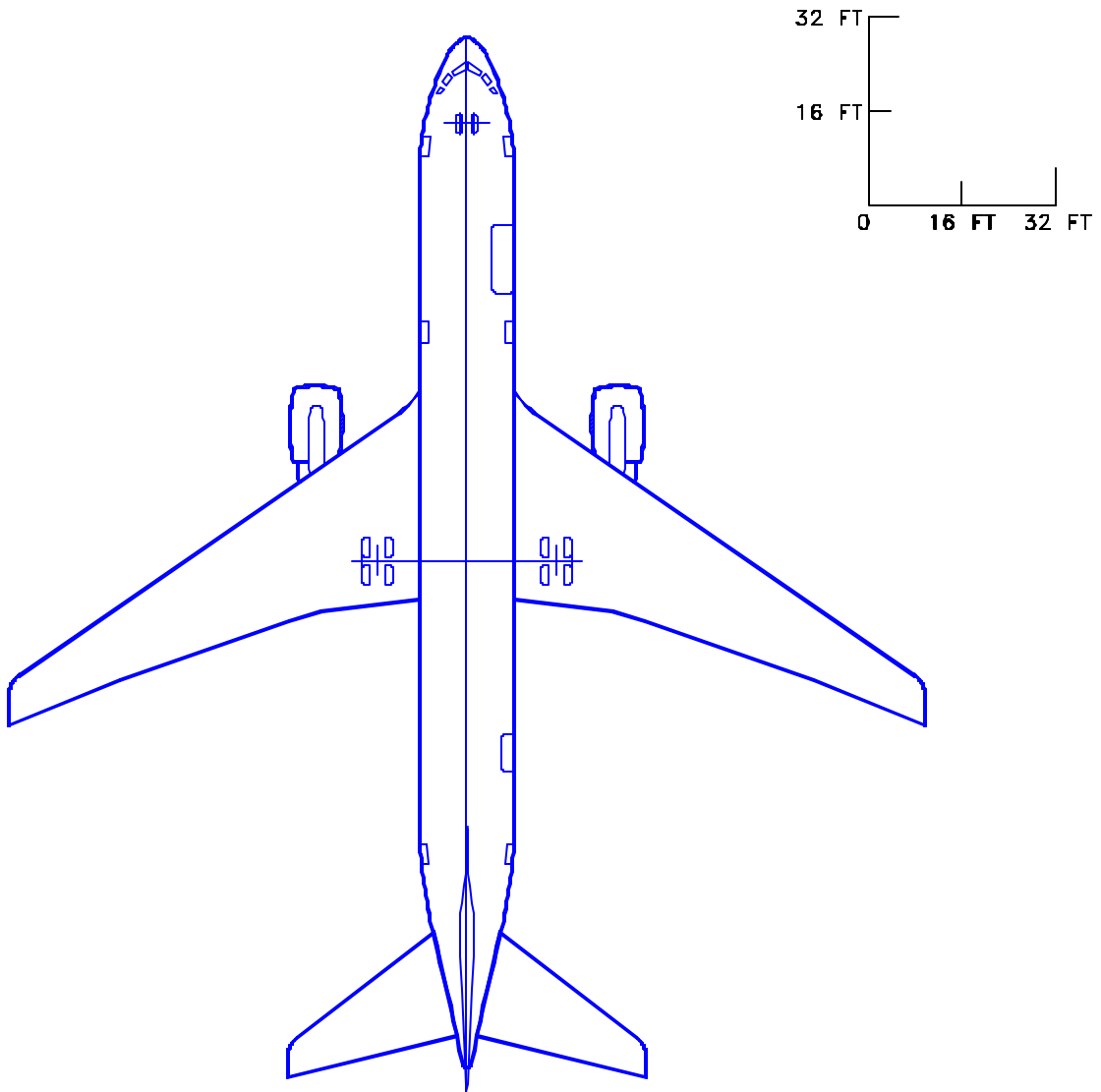
**LEGEND**

- A CONDITIONED AIR
- C CARGO DOOR
- E ELECTRICAL
- F FUEL
- G GALLEY SERVICE DOOR
- H HYDRAULIC
- H<sub>2</sub>O POTABLE WATER
- L LAVATORY
- MLG MAIN LANDING GEAR
- NG NOSE GEAR
- P PNEUMATIC
- V FUEL VENT
- X PASSENGER DOOR

NOTE: FOR TURNING RADIUS DATA  
SEE SECTIONS 4.2 AND 4.3

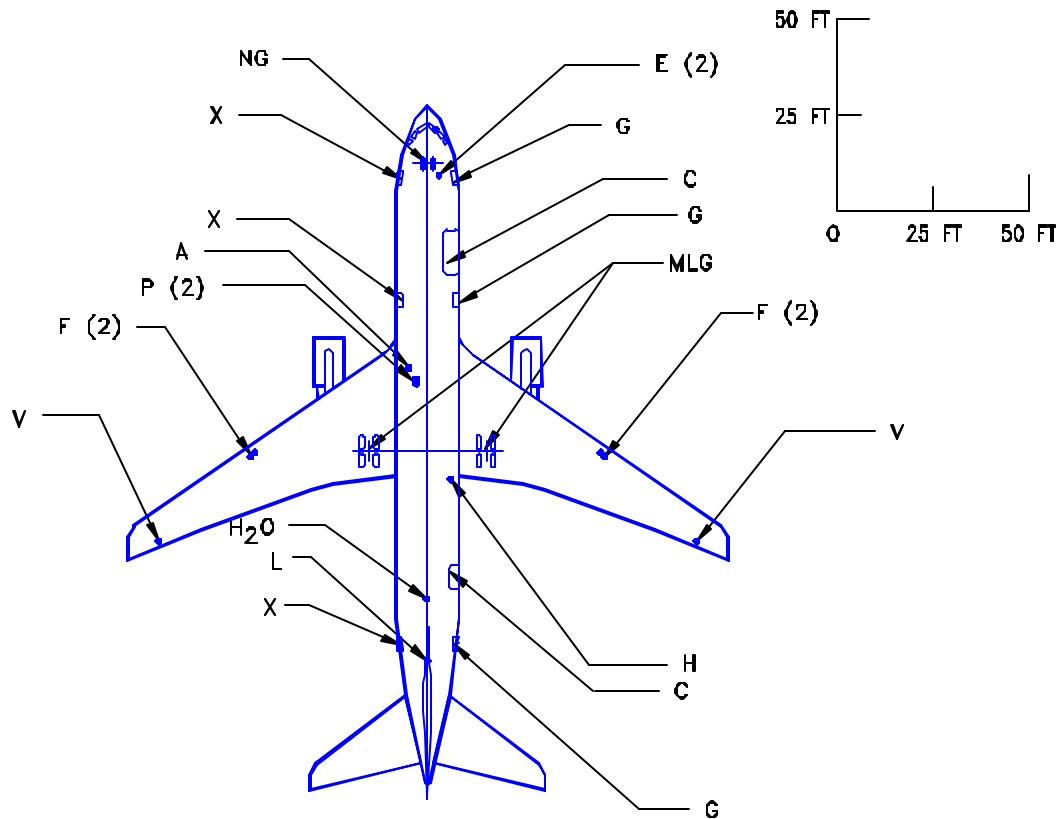
**NOTE: WHEN PRINTING THIS DRAWING, MAKE SURE TO ADJUST FOR PROPER SCALING**

**9.6.1 SCALED DRAWING - 1 IN. = 32 FT**  
*MODEL 767-300, -300ER*



**NOTE: WHEN PRINTING THIS DRAWING, MAKE SURE TO ADJUST FOR PROPER SCALING**

**9.6.2 SCALED DRAWING - 1 IN. = 32 FT**  
*MODEL 767-300, -300ER*



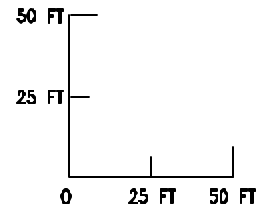
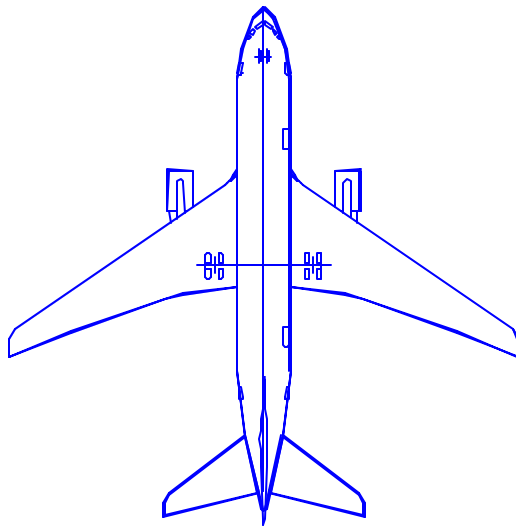
**LEGEND**

- A**   CONDITIONED AIR
- C**   CARGO DOOR
- E**   ELECTRICAL
- F**   FUEL
- G**   GALLEY SERVICE DOOR
- H**   HYDRAULIC
- H<sub>2</sub>O**   POTABLE WATER
- L**   LAVATORY
- MLG**   MAIN LANDING GEAR
- NG**   NOSE GEAR
- P**   PNEUMATIC
- V**   FUEL VENT
- X**   PASSENGER DOOR

NOTE: FOR TURNING RADIUS DATA  
SEE SECTIONS 4.2 AND 4.3

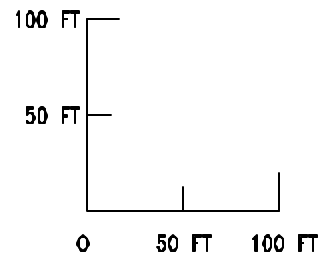
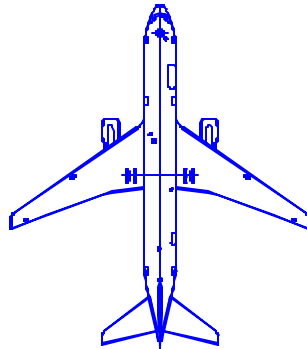
**NOTE: WHEN PRINTING THIS DRAWING, MAKE SURE TO ADJUST FOR PROPER SCALING**

**9.7.1 SCALED DRAWING - 1 IN. = 50 FT**  
*MODEL 767-300, -300ER*



**NOTE: WHEN PRINTING THIS DRAWING, MAKE SURE TO ADJUST FOR PROPER SCALING**

**9.7.2 SCALED DRAWING - 1 IN. = 50 FT**  
*MODEL MODEL 767-300, -300ER*



**NOTE:**

SEE SEC 9.6.1  
LOCATIONS AND IDENTIFICATIONS  
OF SERVICE POINTS

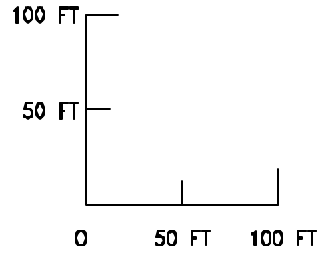
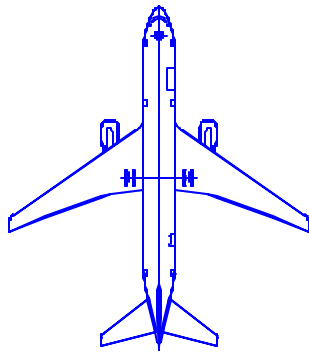
**LEGEND**

A   CONDITIONED AIR  
C   CARGO DOOR  
E   ELECTRICAL  
F   FUEL  
G   GALLEY SERVICE DOOR  
H   HYDRAULIC  
H<sub>2</sub>O   POTABLE WATER  
L   LAVATORY  
MLG   MAIN LANDING GEAR  
NG   NOSE GEAR  
P   PNEUMATIC  
V   FUEL VENT  
X   PASSENGER DOOR

**NOTE:** FOR TURNING RADIUS DATA  
SEE SECTIONS 4.2 AND 4.3

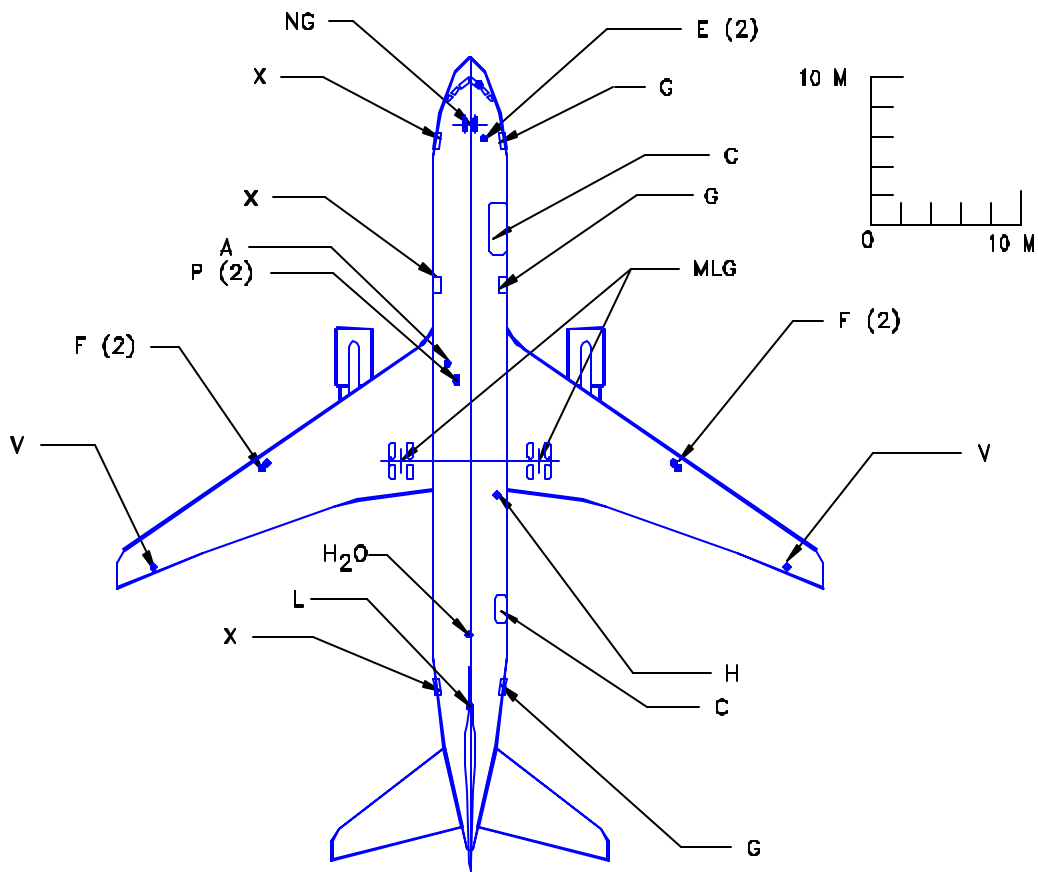
**NOTE: WHEN PRINTING THIS DRAWING, MAKE SURE TO ADJUST FOR PROPER SCALING**

**9.8.1 SCALED DRAWING - 1 IN = 100 FT**  
*MODEL 767-300, -300ER*



**NOTE: WHEN PRINTING THIS DRAWING, MAKE SURE TO ADJUST FOR PROPER SCALING**

**9.8.2 SCALED DRAWING - 1 IN = 100 FT**  
*MODEL 767-300, -300ER*



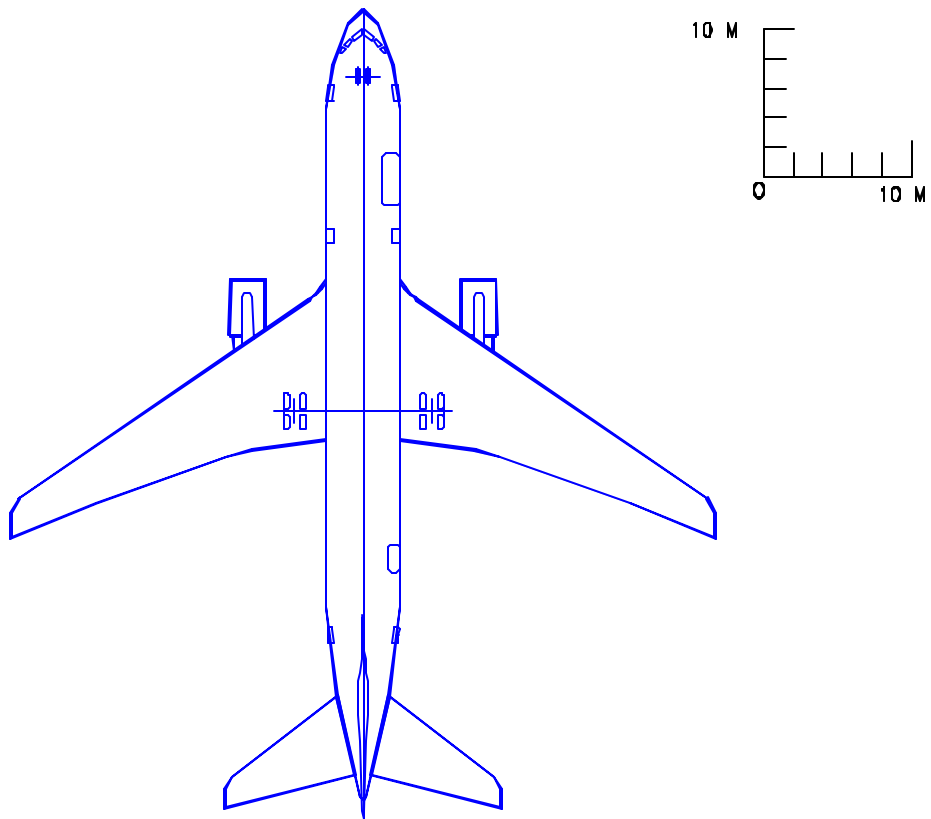
**LEGEND**

- A CONDITIONED AIR
- C CARGO DOOR
- E ELECTRICAL
- F FUEL
- G GALLEY SERVICE DOOR
- H HYDRAULIC
- H<sub>2</sub>O POTABLE WATER
- L LAVATORY
- MLG MAIN LANDING GEAR
- NG NOSE GEAR
- P PNEUMATIC
- V FUEL VENT
- X PASSENGER DOOR

NOTE: FOR TURNING RADIUS DATA  
SEE SECTIONS 4.2 AND 4.3

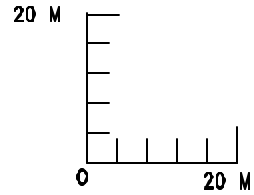
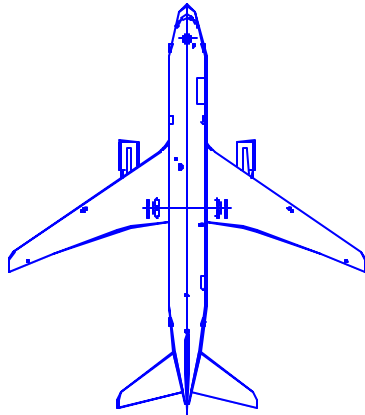
**NOTE: WHEN PRINTING THIS DRAWING, MAKE SURE TO ADJUST FOR PROPER SCALING**

**9.9.1 SCALED DRAWING - 1:500**  
*MODEL 767-300, -300ER*



**NOTE: WHEN PRINTING THIS DRAWING, MAKE SURE TO ADJUST FOR PROPER SCALING**

**9.9.2 SCALED DRAWING - 1:500**  
*MODEL 767-300, -300ER*



**NOTE:**

**SEE SEC 9.6.1  
LOCATIONS AND IDENTIFICATIONS  
OF SERVICE POINTS**

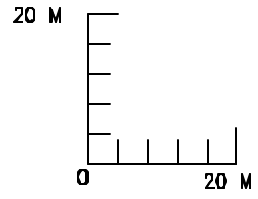
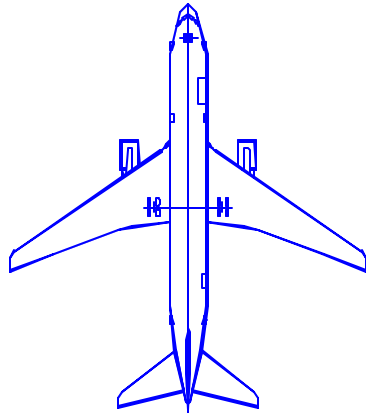
**LEGEND**

- A**   CONDITIONED AIR
- C**   CARGO DOOR
- E**   ELECTRICAL
- F**   **FUEL**
- G**   GALLEY SERVICE DOOR
- H**   HYDRAULIC
- H<sub>2</sub>O** POTABLE WATER
- L**   LAVATORY
- MLG** MAIN LANDING GEAR
- NG**  NOSE GEAR
- P**   PNEUMATIC
- V**   FUEL VENT
- X**   PASSENGER DOOR

**NOTE: FOR TURNING RADIUS DATA  
SEE SECTIONS 4.2 AND 4.3**

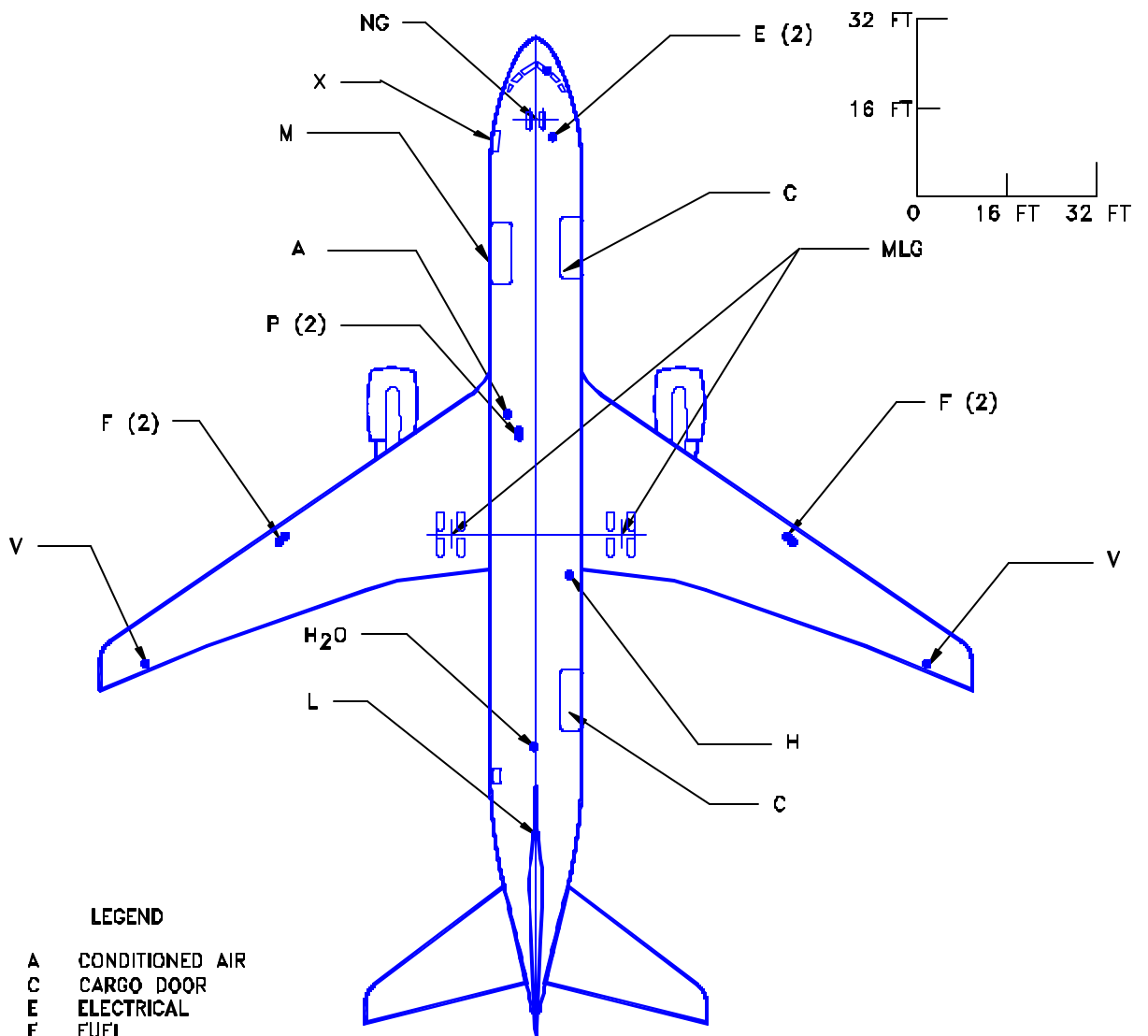
**NOTE: WHEN PRINTING THIS DRAWING, MAKE SURE TO ADJUST FOR PROPER SCALING**

**9.10.1 SCALED DRAWING - 1:1000**  
*MODEL 767-300, -300ER*



**NOTE: WHEN PRINTING THIS DRAWING, MAKE SURE TO ADJUST FOR PROPER SCALING**

**9.10.2 SCALED DRAWING - 1:1000**  
*MODEL 767-300, -300ER*



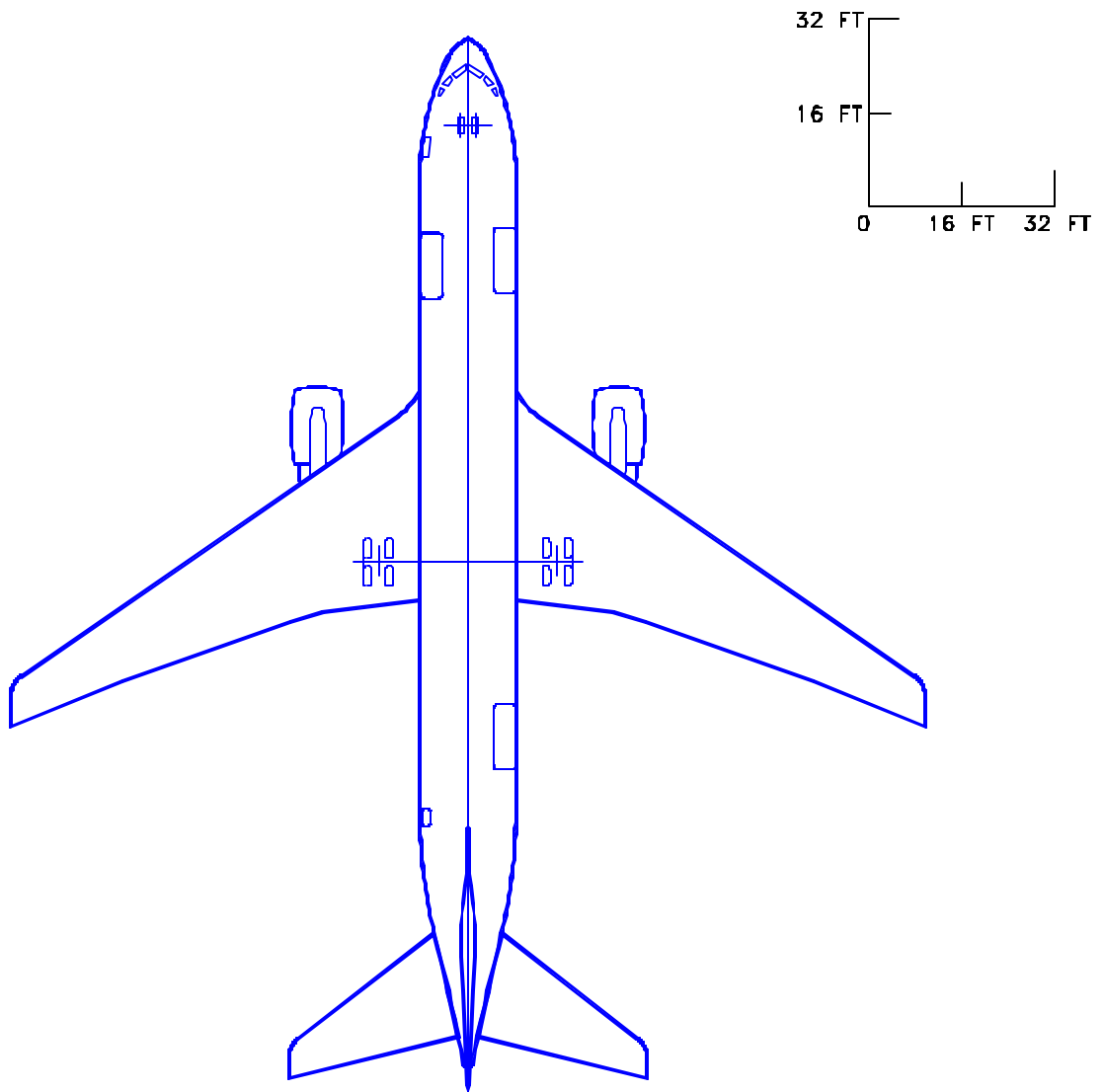
**LEGEND**

- A CONDITIONED AIR
- C CARGO DOOR
- E ELECTRICAL
- F FUEL
- H HYDRAULIC
- H<sub>2</sub>O POTABLE WATER
- L LAVATORY
- M MAIN DECK CARGO DOOR
- MLG MAIN LANDING GEAR
- NG NOSE GEAR
- P PNEUMATIC
- V FUEL VENT
- X CREW ENTRY DOOR

NOTE: FOR TURNING RADIUS DATA  
SEE SECTIONS 4.2 AND 4.3

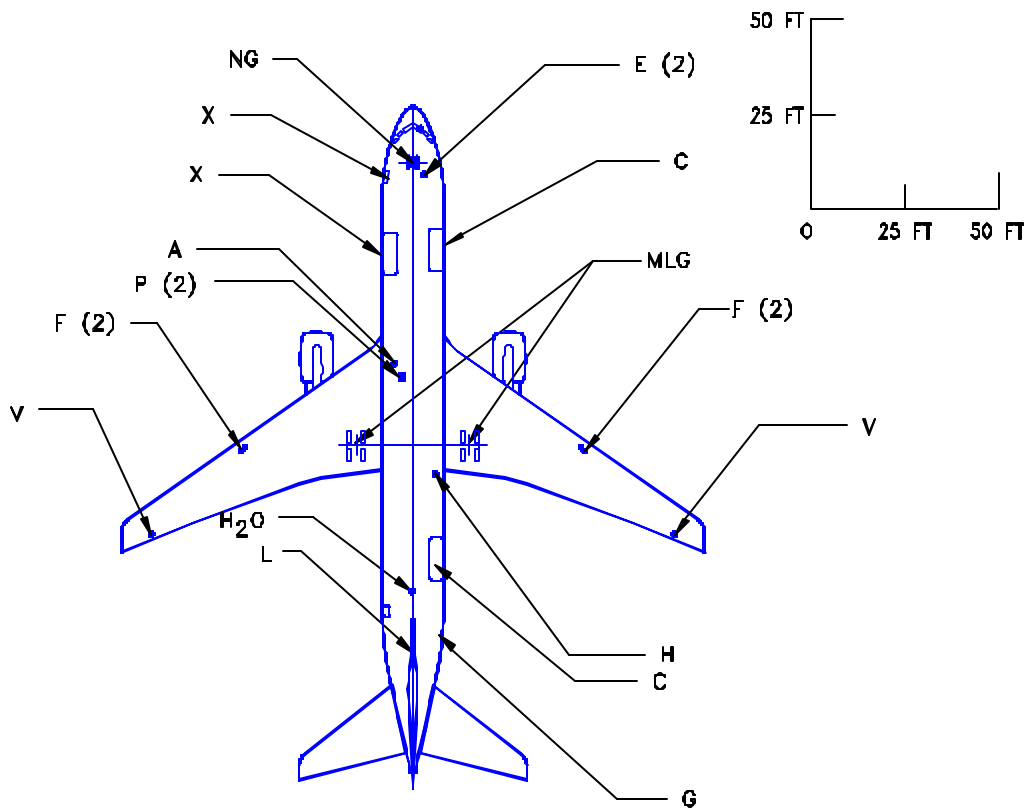
**NOTE: WHEN PRINTING THIS DRAWING, MAKE SURE TO ADJUST FOR PROPER SCALING**

**9.11.1 SCALED DRAWING - 1 IN. = 32 FT**  
*MODEL 767-300 FREIGHTER*



**NOTE: WHEN PRINTING THIS DRAWING, MAKE SURE TO ADJUST FOR PROPER SCALING**

**9.11.2 SCALED DRAWING - 1 IN. = 32 FT**  
*MODEL 767-300 FREIGHTER*



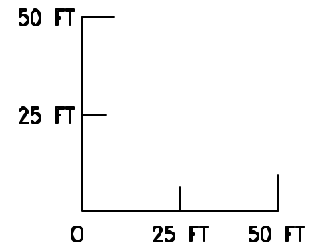
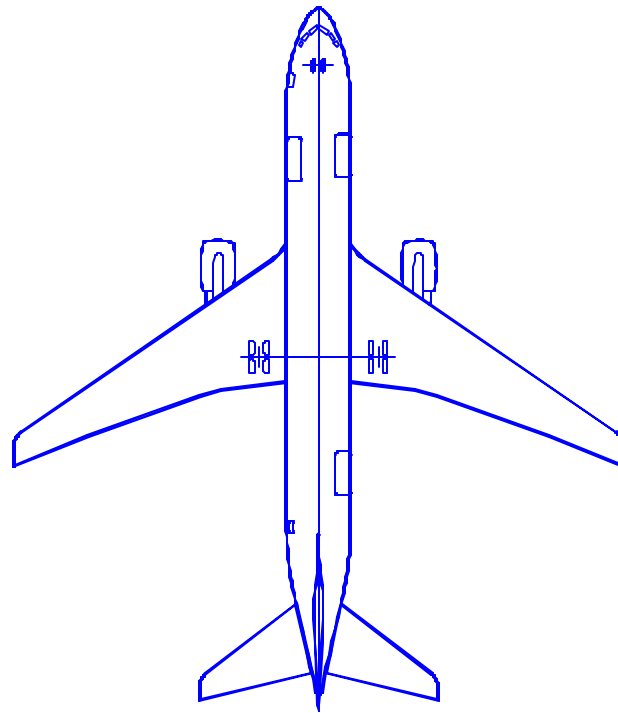
**LEGEND**

- A CONDITIONED AIR
- C CARGO DOOR
- E ELECTRICAL
- F FUEL
- H HYDRAULIC
- H<sub>2</sub>O POTABLE WATER
- L LAVATORY
- M MAIN DECK CARGO DOOR
- MLG MAIN LANDING GEAR
- NG NOSE GEAR
- P PNEUMATIC
- V FUEL VENT
- X CREW ENTRY DOOR

NOTE: FOR TURNING RADIUS DATA  
SEE SECTIONS 4.2 AND 4.3

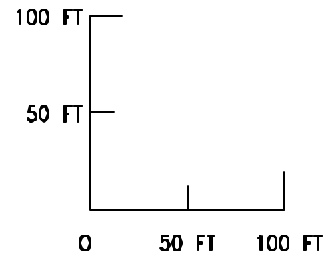
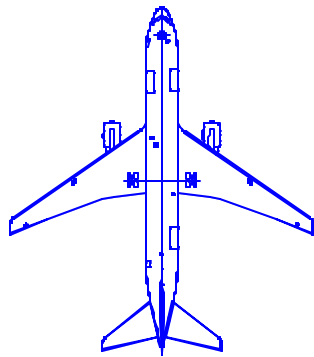
**NOTE: WHEN PRINTING THIS DRAWING, MAKE SURE TO ADJUST FOR PROPER SCALING**

**9.12.1 SCALED DRAWING - 1 IN. = 50 FT**  
*MODEL 767-300 FREIGHTER*



**NOTE: WHEN PRINTING THIS DRAWING, MAKE SURE TO ADJUST FOR PROPER SCALING**

**9.12.2 SCALED DRAWING - 1 IN. = 50 FT**  
*MODEL 767-300 FREIGHTER*



**NOTE:**

SEE SEC 9.11.1  
LOCATIONS AND IDENTIFICATIONS  
OF SERVICE POINTS

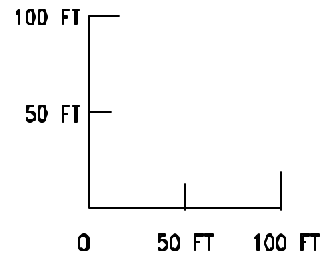
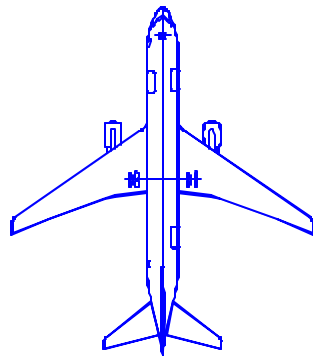
**LEGEND**

- A CONDITIONED AIR
- C CARGO DOOR
- E ELECTRICAL
- F FUEL
- H HYDRAULIC
- H<sub>2</sub>O POTABLE WATER
- L LAVATORY
- M MAIN DECK CARGO DOOR
- MLG MAIN LANDING GEAR
- NG NOSE GEAR
- P PNEUMATIC
- V FUEL VENT
- X CREW ENTRY DOOR

NOTE: FOR TURNING RADIUS DATA  
SEE SECTIONS 4.2 AND 4.3

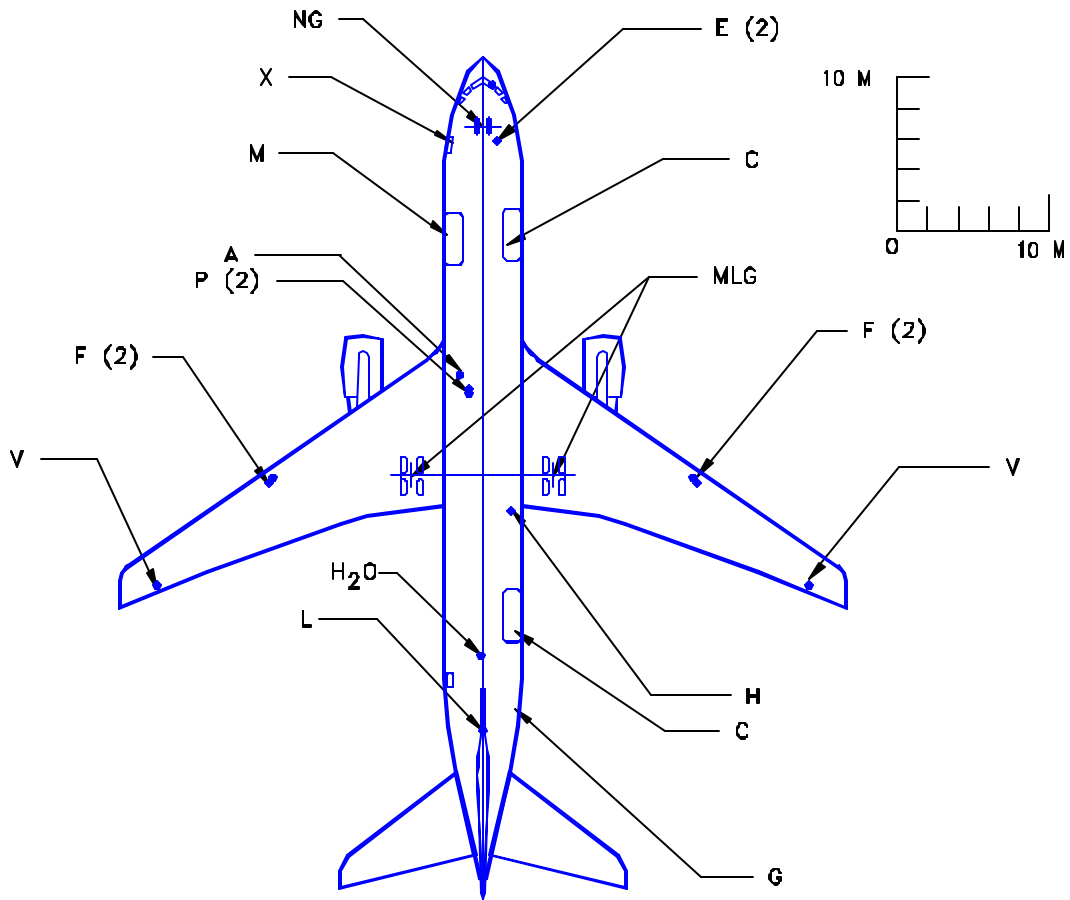
**NOTE: WHEN PRINTING THIS DRAWING, MAKE SURE TO ADJUST FOR PROPER SCALING**

**9.13.1 SCALED DRAWING - 1 IN = 100 FT**  
*MODEL 767-300 FREIGHTER*



**NOTE: WHEN PRINTING THIS DRAWING, MAKE SURE TO ADJUST FOR PROPER SCALING**

**9.13.2 SCALED DRAWING - 1 IN = 100 FT**  
*MODEL 767-300 FREIGHTER*



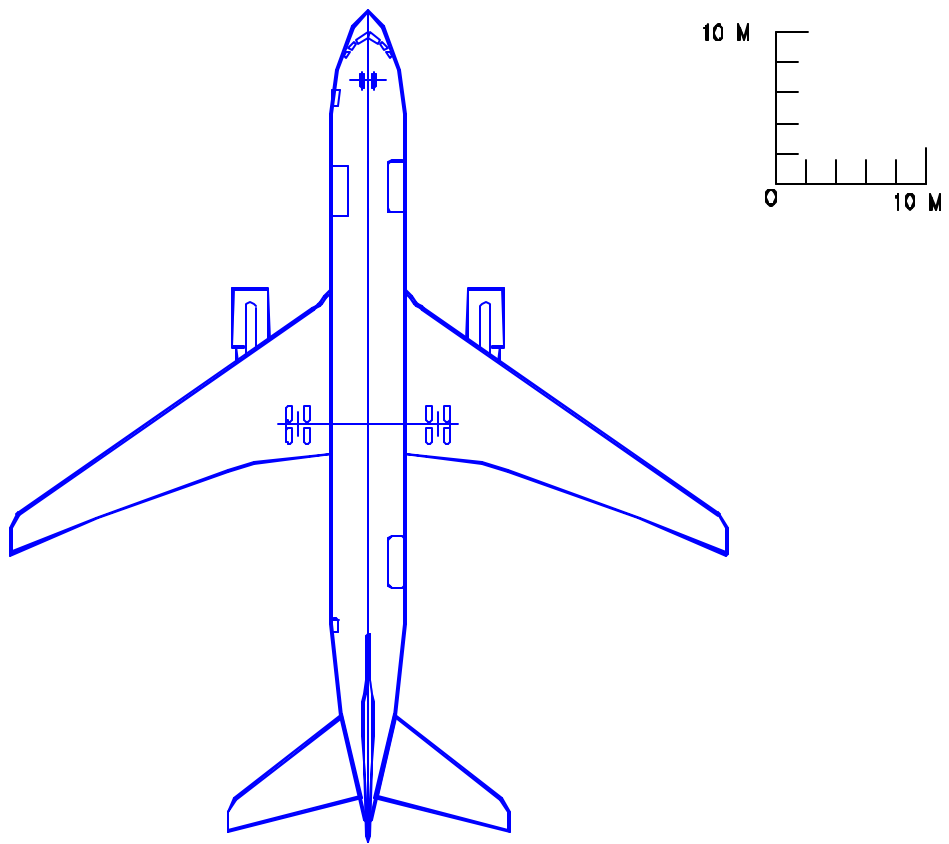
**LEGEND**

- A   CONDITIONED AIR
- C   CARGO DOOR
- E   ELECTRICAL
- F   FUEL
- H   HYDRAULIC
- H<sub>2</sub>O   POTABLE WATER
- L   LAVATORY
- M   MAIN DECK CARGO DOOR
- MLG   MAIN LANDING GEAR
- NG   NOSE GEAR
- P   PNEUMATIC
- V   FUEL VENT
- X   CREW ENTRY DOOR

NOTE: FOR TURNING RADIUS DATA  
SEE SECTIONS 4.2 AND 4.3

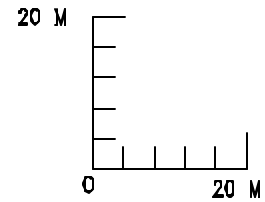
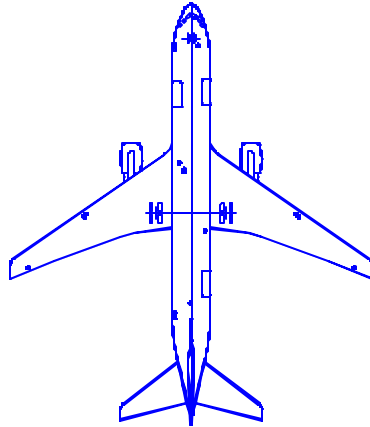
**NOTE: WHEN PRINTING THIS DRAWING, MAKE SURE TO ADJUST FOR PROPER SCALING**

**9.14.1 SCALED DRAWING - 1:500**  
*MODEL 767-300 FREIGHTER*



**NOTE: WHEN PRINTING THIS DRAWING, MAKE SURE TO ADJUST FOR PROPER SCALING**

**9.14.2 SCALED DRAWING - 1:500**  
*MODEL 767-300 FREIGHTER*



**NOTE:**

SEE SEC 9.11.1  
LOCATIONS AND IDENTIFICATIONS  
OF SERVICE POINTS

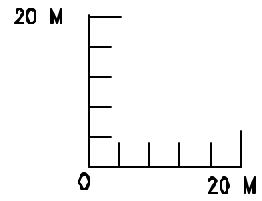
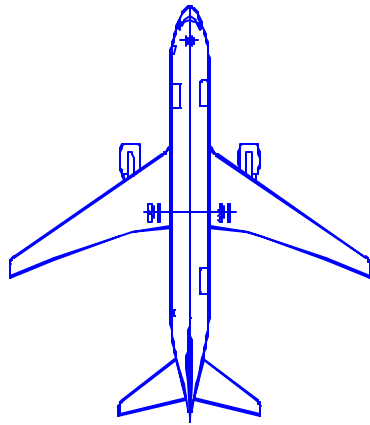
**LEGEND**

A   CONDITIONED AIR  
C   CARGO DOOR  
E   ELECTRICAL  
F   FUEL  
H   HYDRAULIC  
H<sub>2</sub>O   POTABLE WATER  
L   LAVATORY  
M   MAIN DECK CARGO DOOR  
MLG   MAIN LANDING GEAR  
NG   NOSE GEAR  
P   PNEUMATIC  
V   FUEL VENT  
X   CREW ENTRY DOOR

NOTE: FOR TURNING RADIUS DATA  
SEE SECTIONS 4.2 AND 4.3

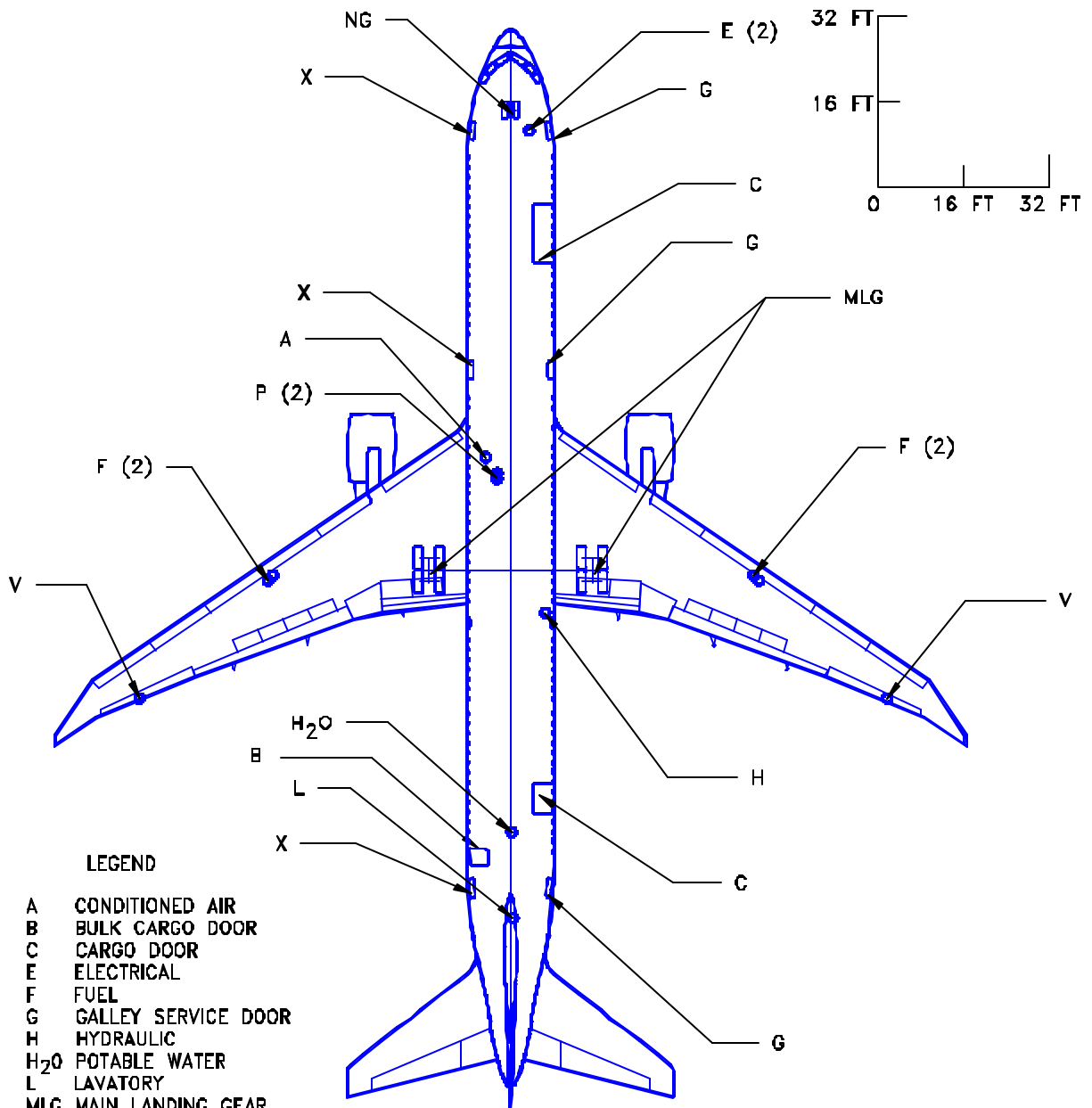
**NOTE: WHEN PRINTING THIS DRAWING, MAKE SURE TO ADJUST FOR PROPER SCALING**

**9.15.1 SCALED DRAWING - 1:1000**  
*MODEL 767-300 FREIGHTER*



**NOTE: WHEN PRINTING THIS DRAWING, MAKE SURE TO ADJUST FOR PROPER SCALING**

**9.15.2 SCALED DRAWING - 1:1000**  
*MODEL 767-300 FREIGHTER*



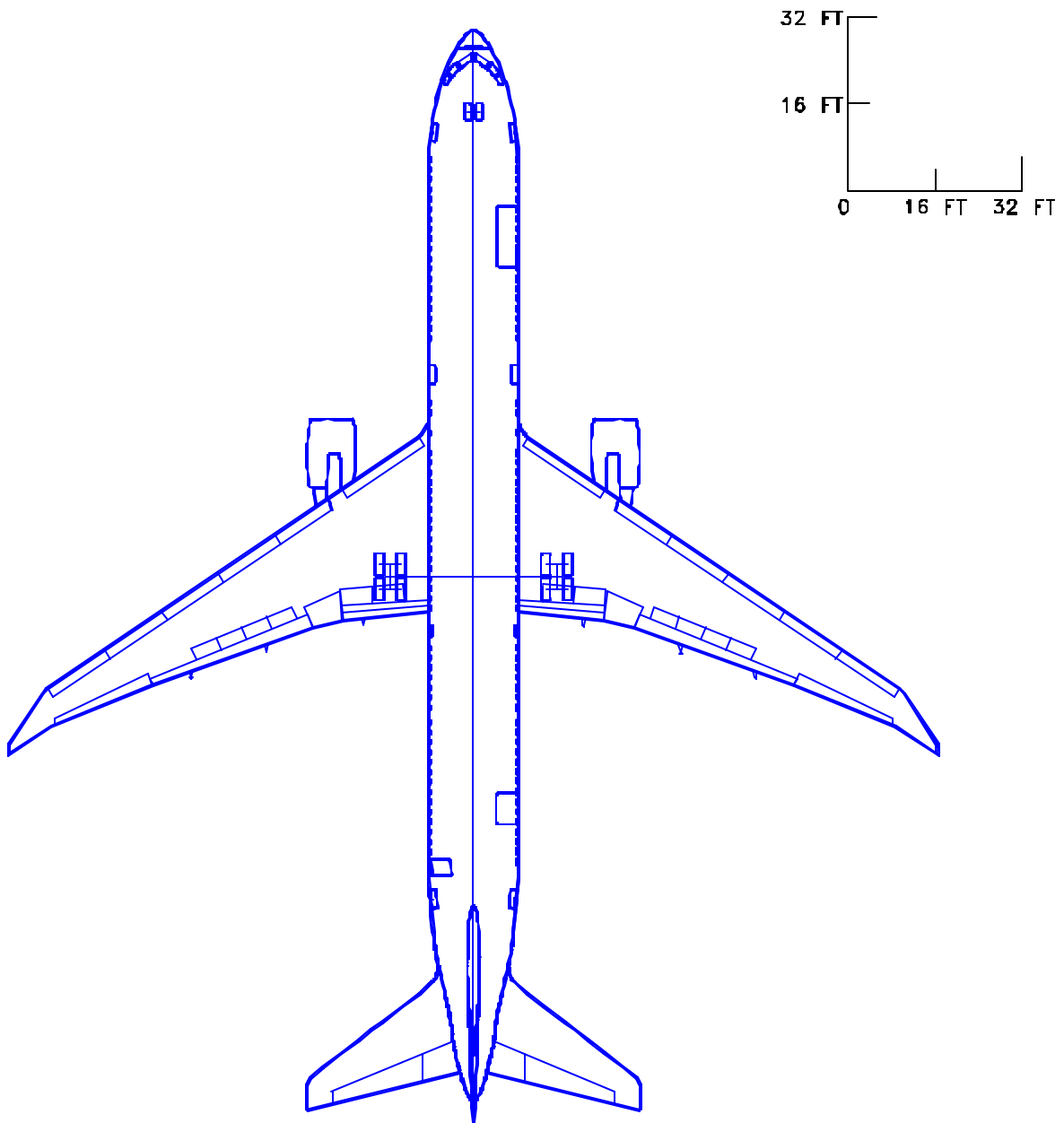
**LEGEND**

- A CONDITIONED AIR
- B BULK CARGO DOOR
- C CARGO DOOR
- E ELECTRICAL
- F FUEL
- G GALLEY SERVICE DOOR
- H HYDRAULIC
- H<sub>2</sub>O POTABLE WATER
- L LAVATORY
- MLG MAIN LANDING GEAR
- NG NOSE GEAR
- P PNEUMATIC
- V FUEL VENT
- X PASSENGER DOOR

NOTE: FOR TURNING RADIUS DATA  
SEE SECTIONS 4.2 AND 4.3

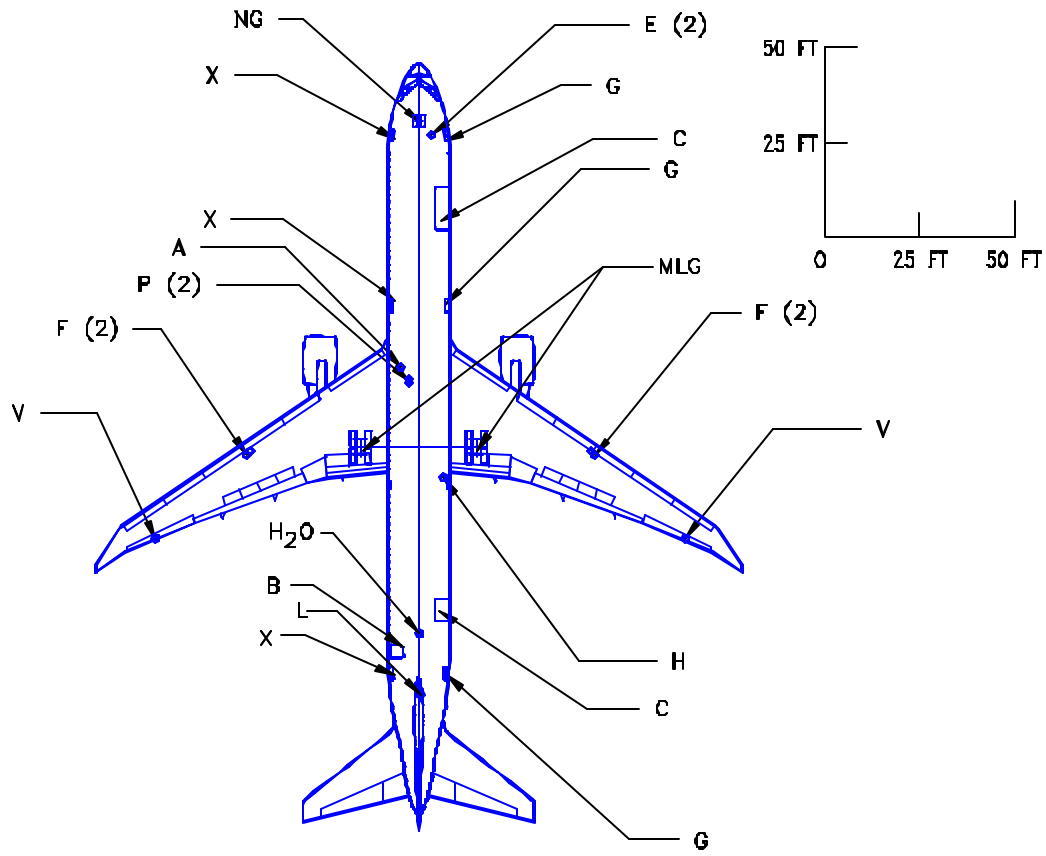
**NOTE: WHEN PRINTING THIS DRAWING, MAKE SURE TO ADJUST FOR PROPER SCALING**

**9.16.1 SCALED DRAWING - 1 IN. = 32 FT**  
MODEL 767-400ER



**NOTE: WHEN PRINTING THIS DRAWING, MAKE SURE TO ADJUST FOR PROPER SCALING**

**9.16.2 SCALED DRAWING - 1 IN. = 32 FT**  
*MODEL 767-400ER*



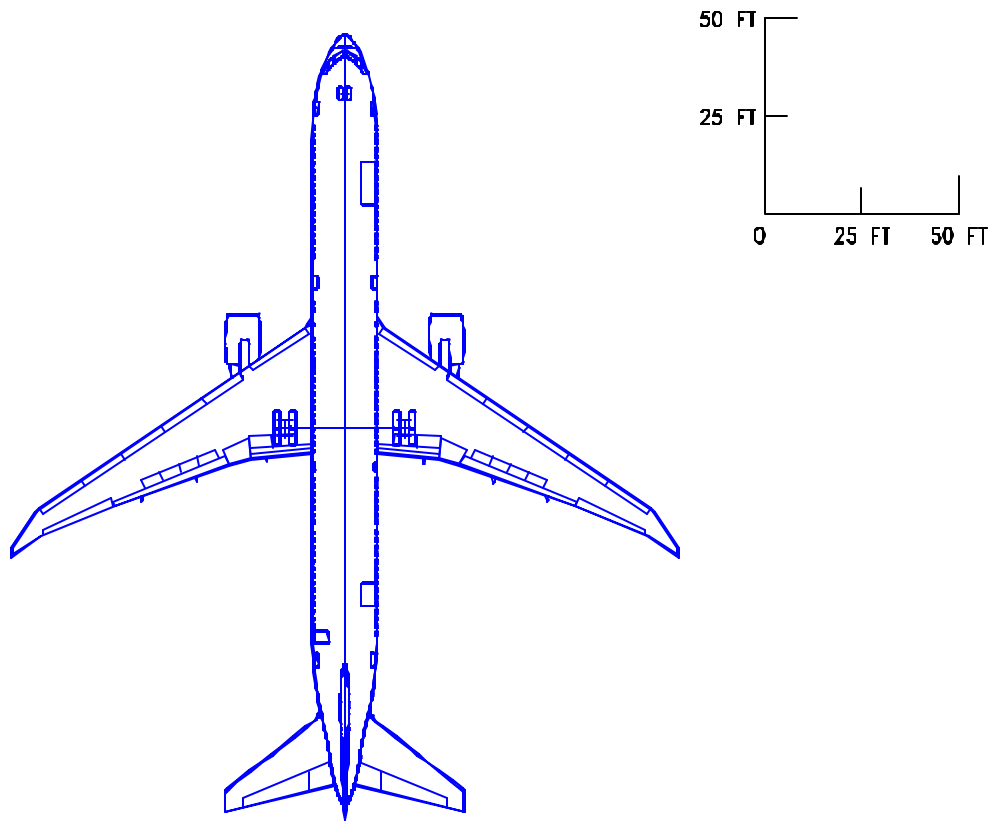
**LEGEND**

- A CONDITIONED AIR
- B BULK CARGO DOOR
- C CARGO DOOR
- E ELECTRICAL
- F FUEL
- G GALLEY SERVICE DOOR
- H HYDRAULIC
- H<sub>2</sub>O POTABLE WATER
- L LAVATORY
- MLG MAIN LANDING GEAR
- NG NOSE GEAR
- P PNEUMATIC
- V FUEL VENT
- X PASSENGER DOOR

NOTE: FOR TURNING RADIUS DATA  
SEE SECTIONS 4.2 AND 4.3

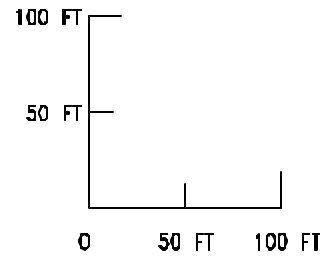
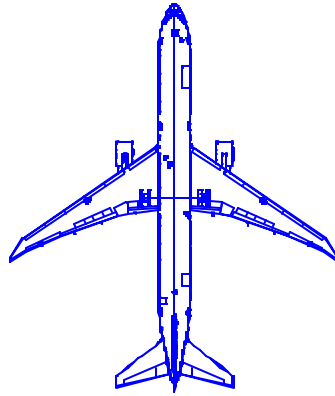
**NOTE: WHEN PRINTING THIS DRAWING, MAKE SURE TO ADJUST FOR PROPER SCALING**

**9.17.1 SCALED DRAWING - 1 IN. = 50 FT**  
MODEL 767-400ER



**NOTE: WHEN PRINTING THIS DRAWING, MAKE SURE TO ADJUST FOR PROPER SCALING**

**9.17.2 SCALED DRAWING - 1 IN. = 50 FT**  
*MODEL 767-400ER*



NOTE:

SEE SEC 9.16.1  
LOCATIONS AND IDENTIFICATIONS  
OF SERVICE POINTS

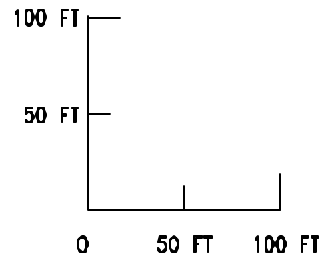
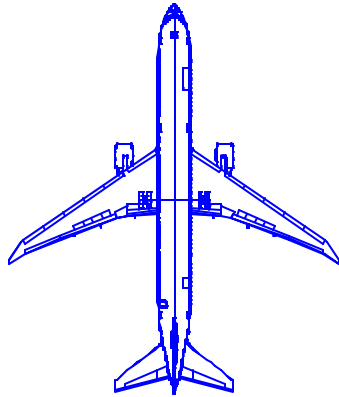
LEGEND

- A CONDITIONED AIR
- B BULK CARGO DOOR
- C CARGO DOOR
- E ELECTRICAL
- F FUEL
- G GALLEY SERVICE DOOR
- H HYDRAULIC
- H<sub>2</sub>O POTABLE WATER
- L LAVATORY
- MLG MAIN LANDING GEAR
- NG NOSE GEAR
- P PNEUMATIC
- V FUEL VENT
- X PASSENGER DOOR

NOTE: FOR TURNING RADIUS DATA  
SEE SECTIONS 4.2 AND 4.3

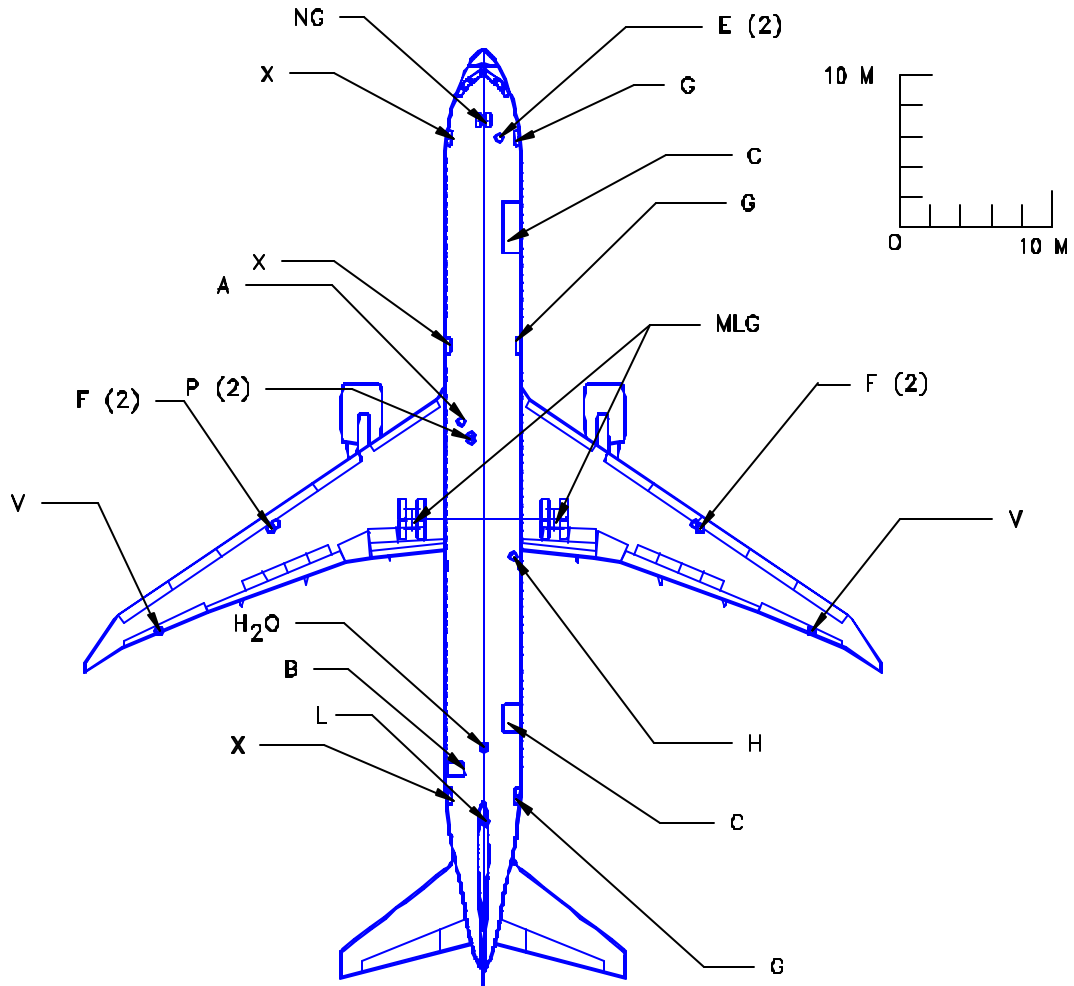
NOTE: WHEN PRINTING THIS DRAWING, MAKE SURE TO ADJUST FOR PROPER SCALING

9.18.1 SCALED DRAWING - 1 IN = 100 FT  
MODEL 767-400ER



**NOTE: WHEN PRINTING THIS DRAWING, MAKE SURE TO ADJUST FOR PROPER SCALING**

**9.18.2 SCALED DRAWING - 1 IN = 100 FT**  
*MODEL 767-400ER*



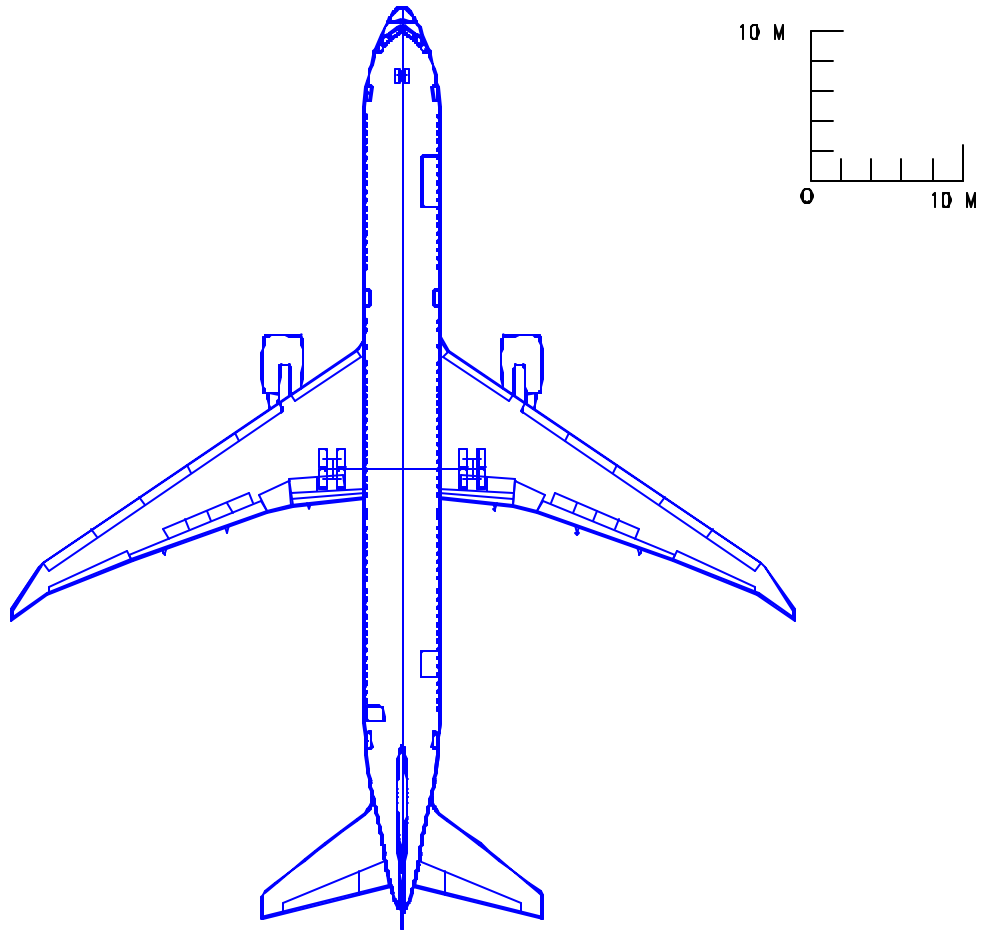
**LEGEND**

- A CONDITIONED AIR
- B BULK CARGO DOOR
- C CARGO DOOR
- E ELECTRICAL
- F FUEL
- G GALLEY SERVICE DOOR
- H HYDRAULIC
- H<sub>2</sub>O POTABLE WATER
- L LAVATORY
- MLG MAIN LANDING GEAR
- NG NOSE GEAR
- P PNEUMATIC
- V FUEL VENT
- X PASSENGER DOOR

NOTE: FOR TURNING RADIUS DATA  
SEE SECTIONS 4.2 AND 4.3

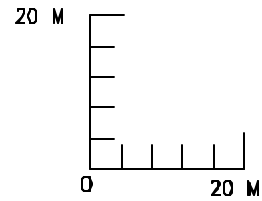
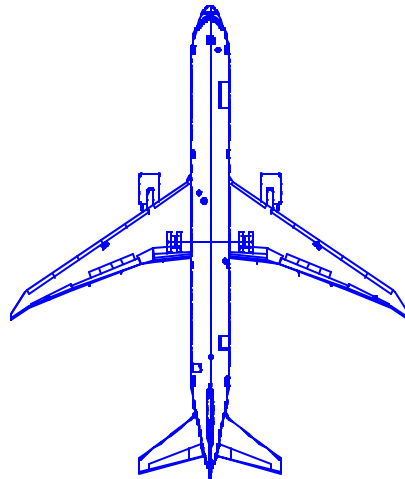
**NOTE: WHEN PRINTING THIS DRAWING, MAKE SURE TO ADJUST FOR PROPER SCALING**

**9.19.1 SCALED DRAWING - 1:500**  
MODEL 767-400ER



**NOTE: WHEN PRINTING THIS DRAWING, MAKE SURE TO ADJUST FOR PROPER SCALING**

**9.19.2 SCALED DRAWING - 1:500**  
*MODEL 767-400ER*



**NOTE:**  
SEE SEC 9.16.1  
LOCATIONS AND IDENTIFICATIONS  
OF SERVICE POINTS

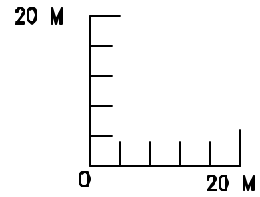
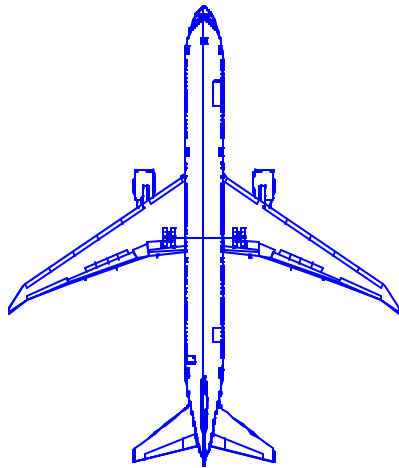
**LEGEND**

- A CONDITIONED AIR
- B BULK CARGO DOOR
- C CARGO DOOR
- E ELECTRICAL
- F FUEL
- G GALLEY SERVICE DOOR
- H HYDRAULIC
- H<sub>2</sub>O POTABLE WATER
- L LAVATORY
- MLG MAIN LANDING GEAR
- NG NOSE GEAR
- P PNEUMATIC
- V FUEL VENT
- X PASSENGER DOOR

**NOTE:** FOR TURNING RADIUS DATA  
SEE SECTIONS 4.2 AND 4.3

**NOTE: WHEN PRINTING THIS DRAWING, MAKE SURE TO ADJUST FOR PROPER SCALING**

**9.20.1 SCALED DRAWING - 1:1000**  
MODEL 767-400ER



**NOTE: WHEN PRINTING THIS DRAWING, MAKE SURE TO ADJUST FOR PROPER SCALING**

**9.20.2 SCALED DRAWING - 1:1000**  
*MODEL 767-400ER*