

9.0 SCALED 777 DRAWINGS

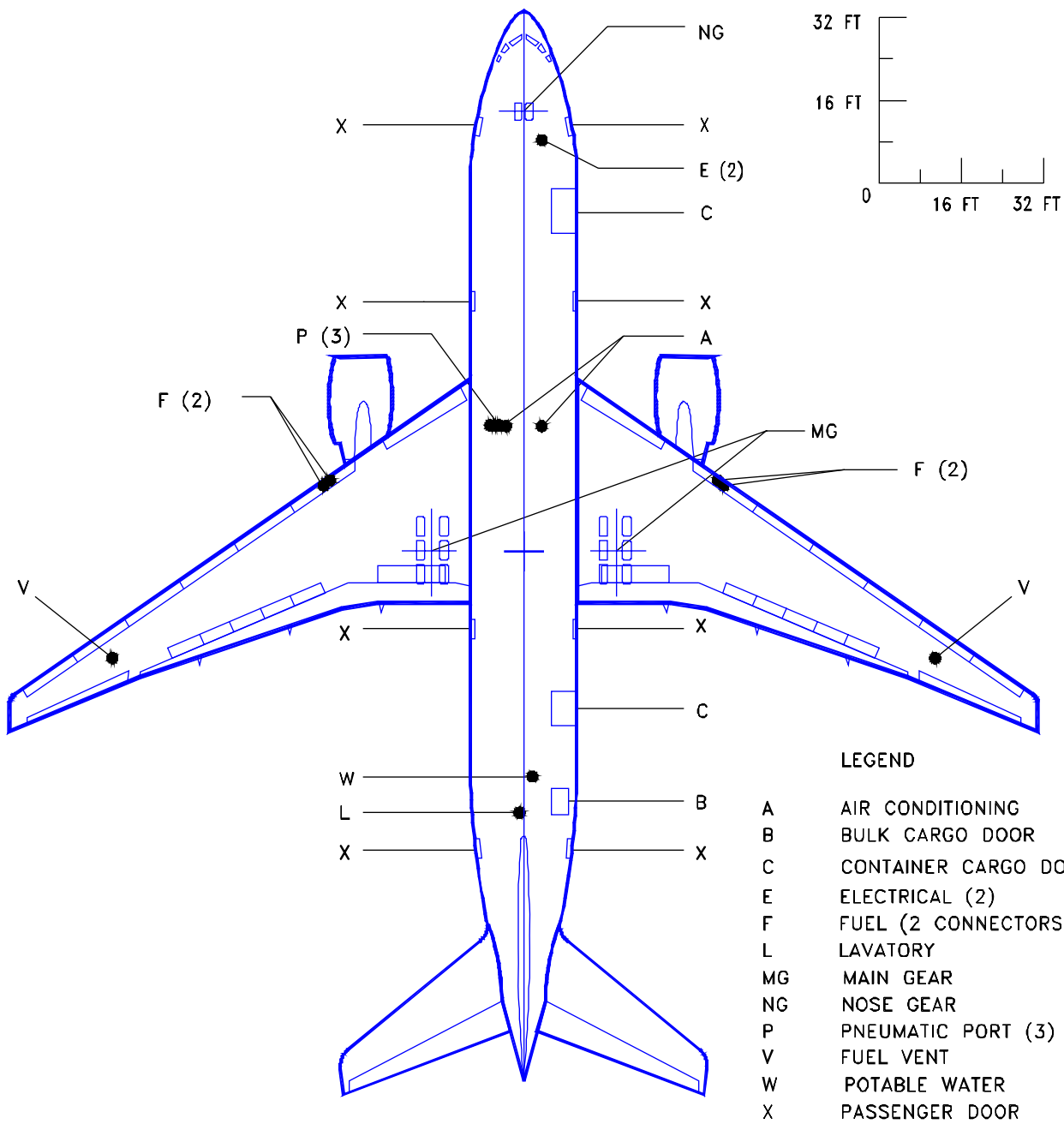
9.1 - 9.5 Scaled Drawings, 777-200

9.6 - 9.10 Scaled drawings, 777-300

9.0 SCALED DRAWINGS

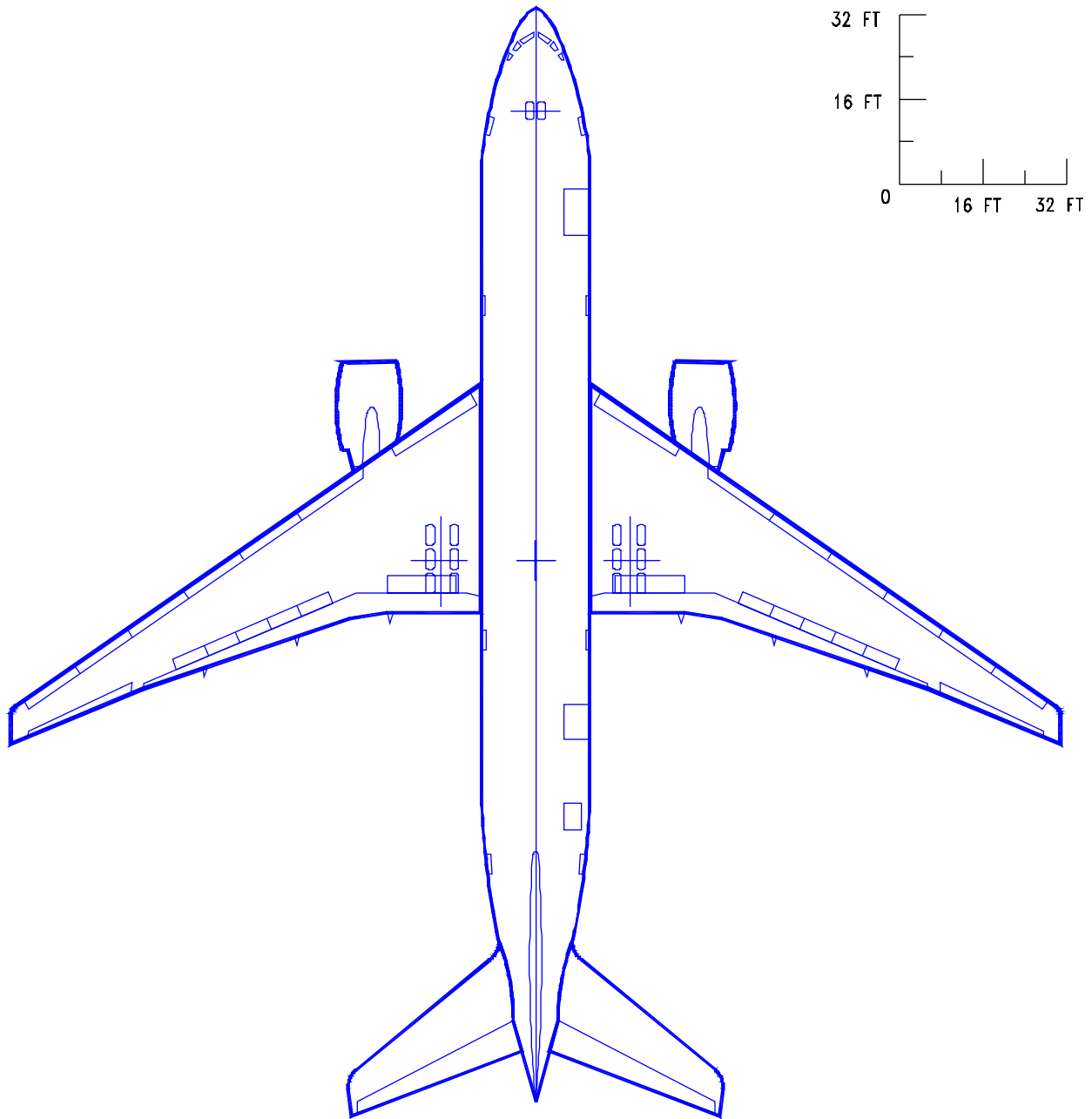
The drawings in the following pages show airplane plan view drawings, drawn to approximate scale as noted. The drawings may not come out to exact scale when printed or copied from this document. Printing scale should be adjusted when attempting to reproduce these drawings. Three-view drawing files of the 777 airplane models, along with other Boeing airplane models, can be downloaded from the following website:

<http://www.boeing.com/airports>



NOTE: ADJUST SCALE WHEN PRINTING THIS PAGE

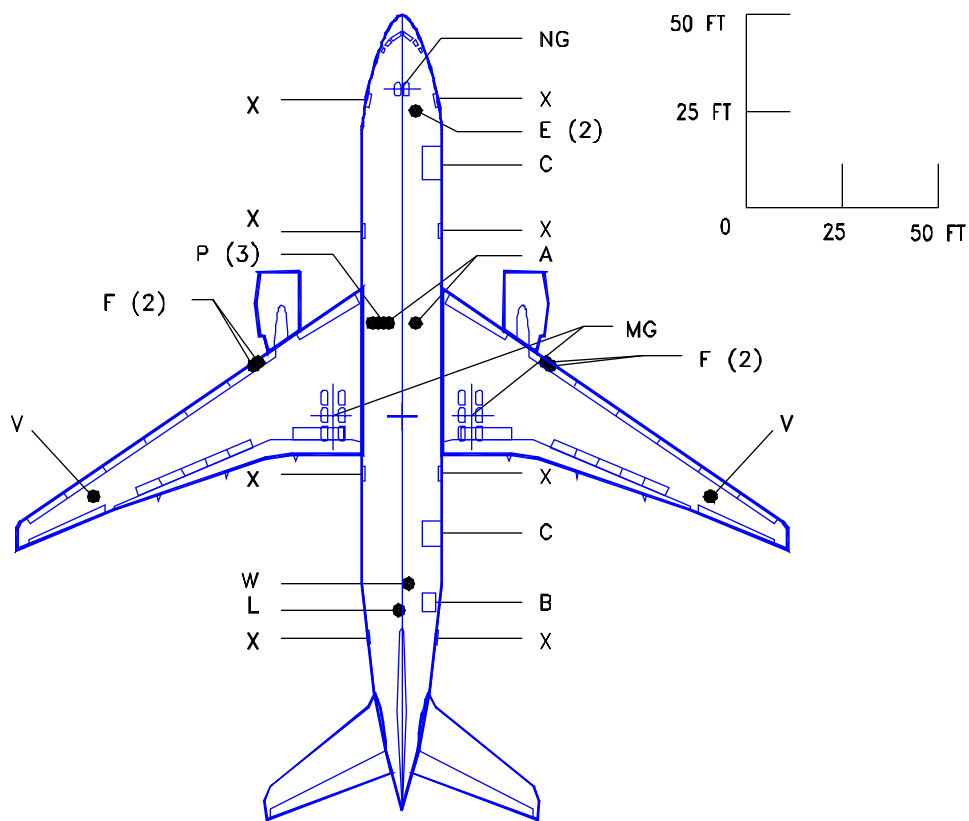
9.1.1 SCALED DRAWING - 1 IN. = 32 FT
MODEL 777-200



NOTE: ADJUST SCALE WHEN PRINTING THIS PAGE

9.1.2 SCALED DRAWING - 1 IN. = 32 FT
MODEL 777-200

D6-58329

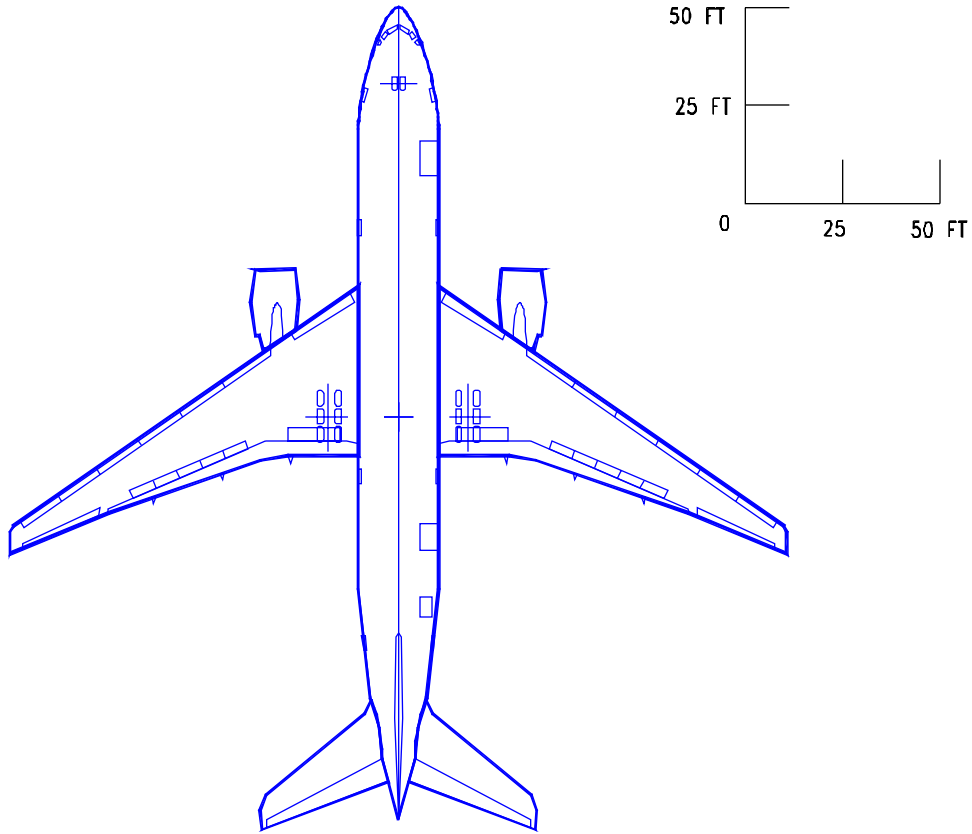


LEGEND

- A AIR CONDITIONING
- B BULK CARGO DOOR
- C CONTAINER CARGO DOOR
- E ELECTRICAL (2)
- F FUEL (2 CONNECTORS)
- L LAVATORY
- MG MAIN GEAR
- NG NOSE GEAR
- P PNEUMATIC PORT (3)
- V FUEL VENT
- W POTABLE WATER
- X PASSENGER DOOR

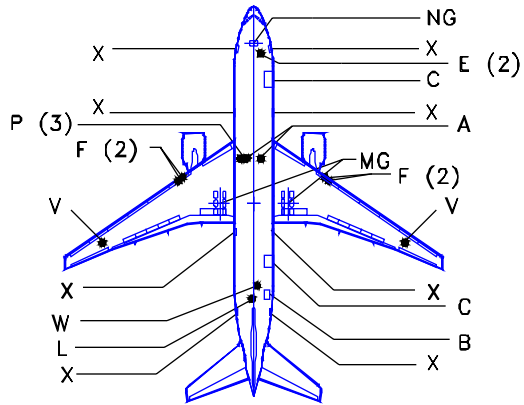
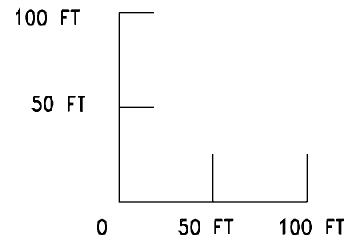
NOTE: ADJUST SCALE WHEN PRINTING THIS PAGE

9.2.1 SCALED DRAWING - 1 IN. = 50 FT
 MODEL 777-200



NOTE: ADJUST SCALE WHEN PRINTING THIS PAGE

9.2.2 SCALED DRAWING - 1 IN. = 50 FT
MODEL 777-200

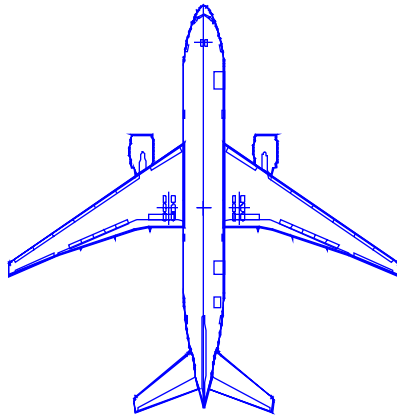
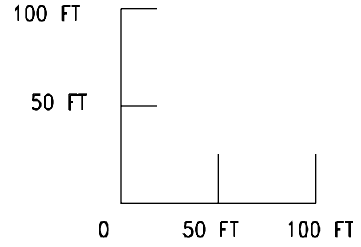


LEGEND

- A AIR CONDITIONING
- B BULK CARGO DOOR
- C CONTAINER CARGO DOOR
- E ELECTRICAL (2)
- F FUEL (2 CONNECTORS)
- L LAVATORY
- MG MAIN GEAR
- NG NOSE GEAR
- P PNEUMATIC PORT (3)
- V FUEL VENT
- W POTABLE WATER
- X PASSENGER DOOR

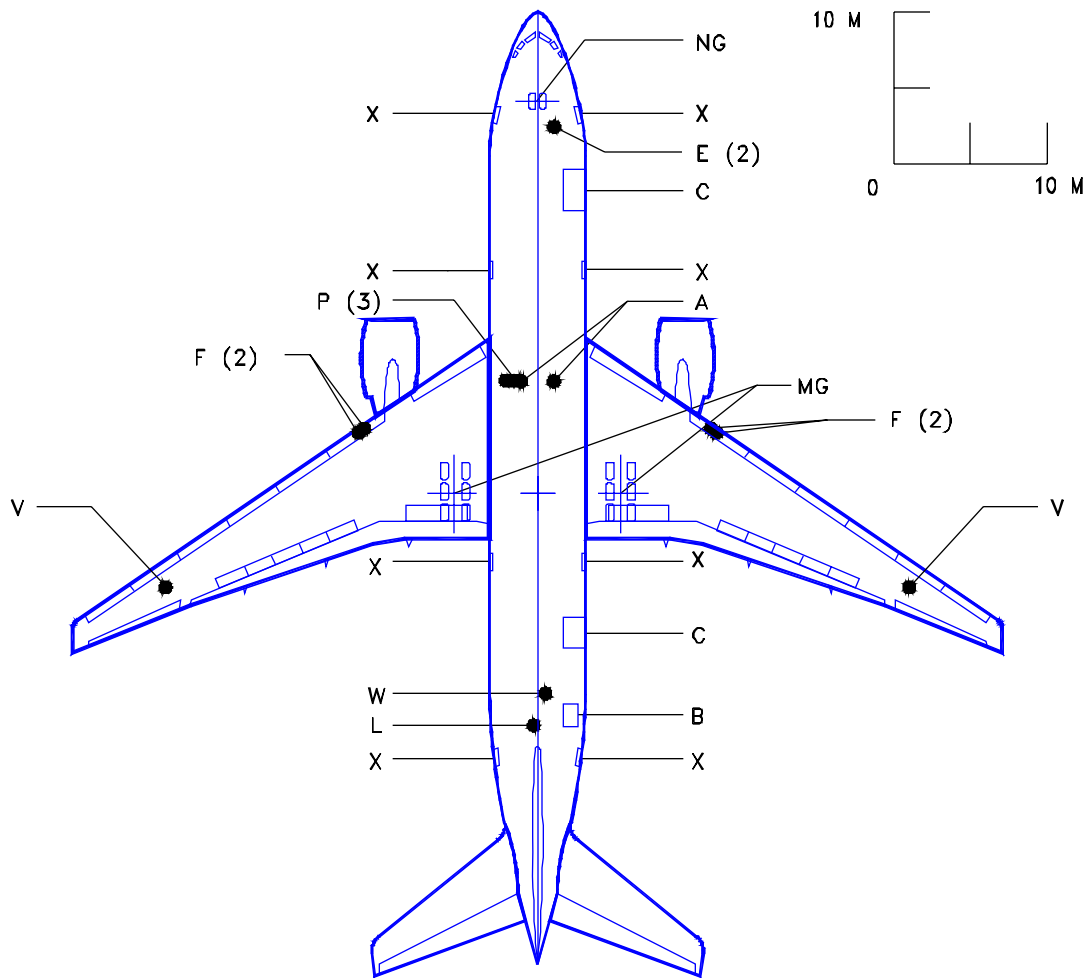
NOTE: ADJUST SCALE WHEN PRINTING THIS PAGE

9.3.1 SCALED DRAWING - 1 IN = 100 FT
MODEL 777-200



NOTE: ADJUST SCALE WHEN PRINTING THIS PAGE

9.3.2 SCALED DRAWING - 1 IN = 100 FT
MODEL 777-200

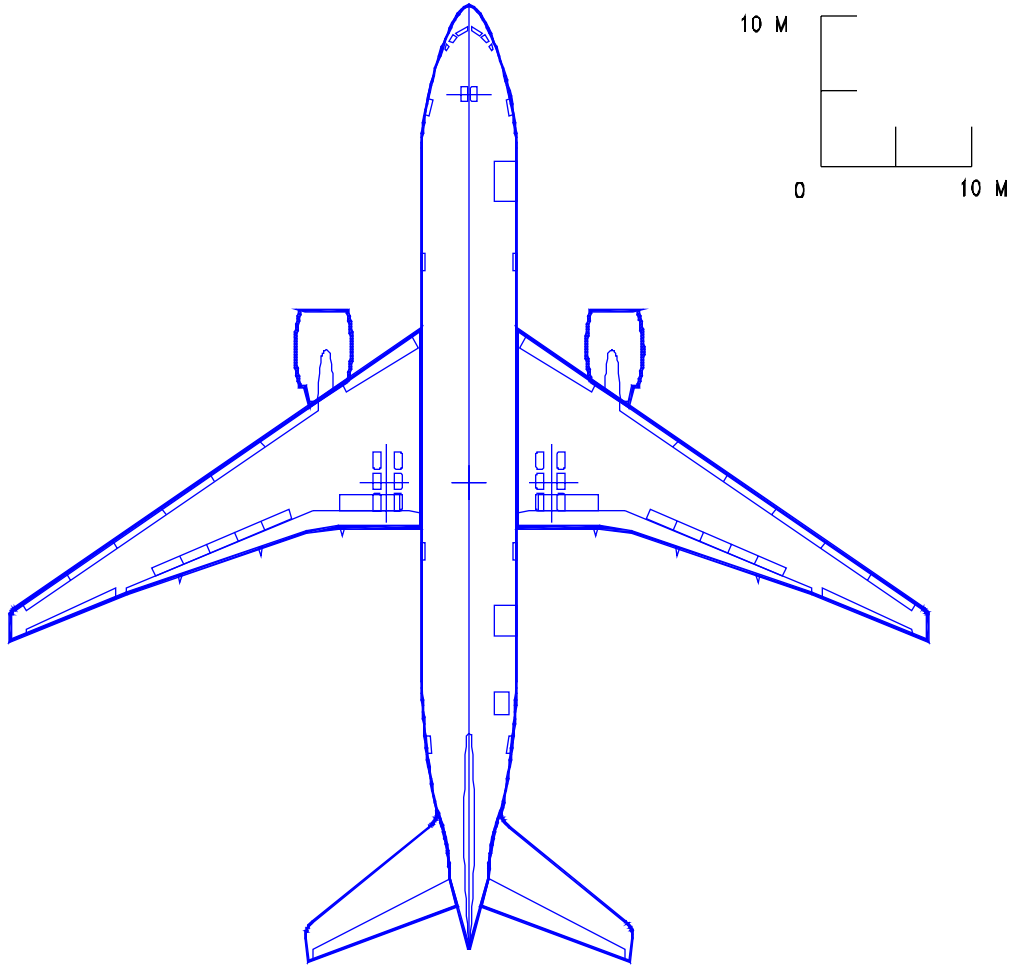


LEGEND

- A AIR CONDITIONING
- B BULK CARGO DOOR
- C CONTAINER CARGO DOOR
- E ELECTRICAL (2)
- F FUEL (2 CONNECTORS)
- L LAVATORY
- MG MAIN GEAR
- NG NOSE GEAR
- P PNEUMATIC PORT (3)
- V FUEL VENT
- W POTABLE WATER
- X PASSENGER DOOR

NOTE: ADJUST SCALE WHEN PRINTING THIS PAGE

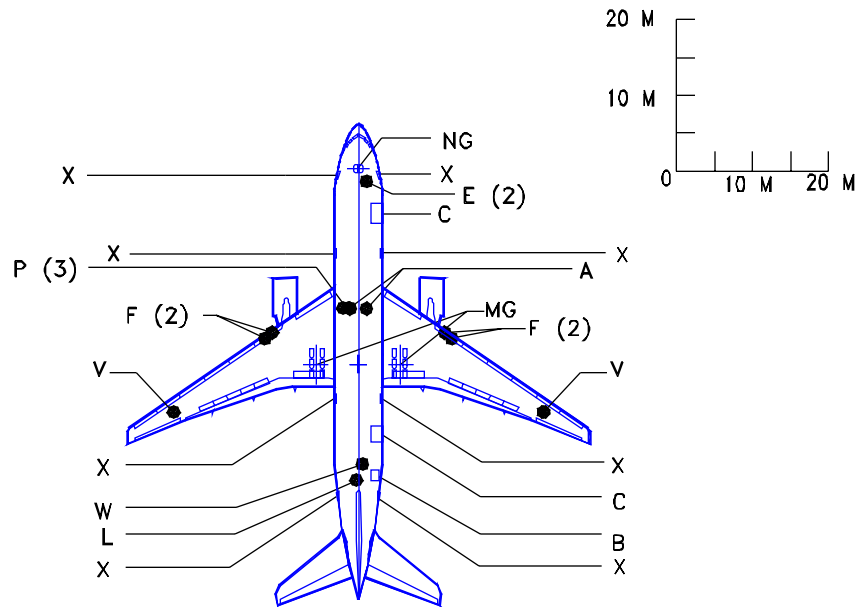
9.4.1 SCALED DRAWING - 1:500
MODEL 777-200



NOTE: ADJUST SCALE WHEN PRINTING THIS PAGE

9.4.2 SCALED DRAWING - 1:500
MODEL 777-200

D6-58329

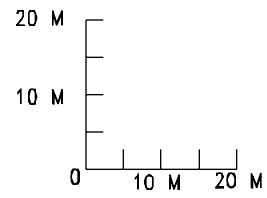
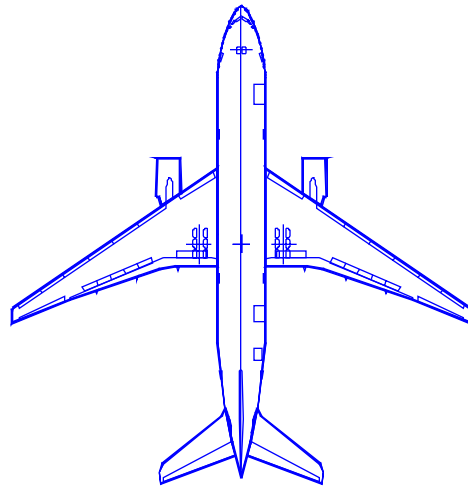


LEGEND

- A AIR CONDITIONING
- B BULK CARGO DOOR
- C CONTAINER CARGO DOOR
- E ELECTRICAL (2)
- F FUEL (2 CONNECTORS)
- L LAVATORY
- MG MAIN GEAR
- NG NOSE GEAR
- P PNEUMATIC PORT (3)
- V FUEL VENT
- W POTABLE WATER
- X PASSENGER DOOR

NOTE: ADJUST SCALE WHEN PRINTING THIS PAGE

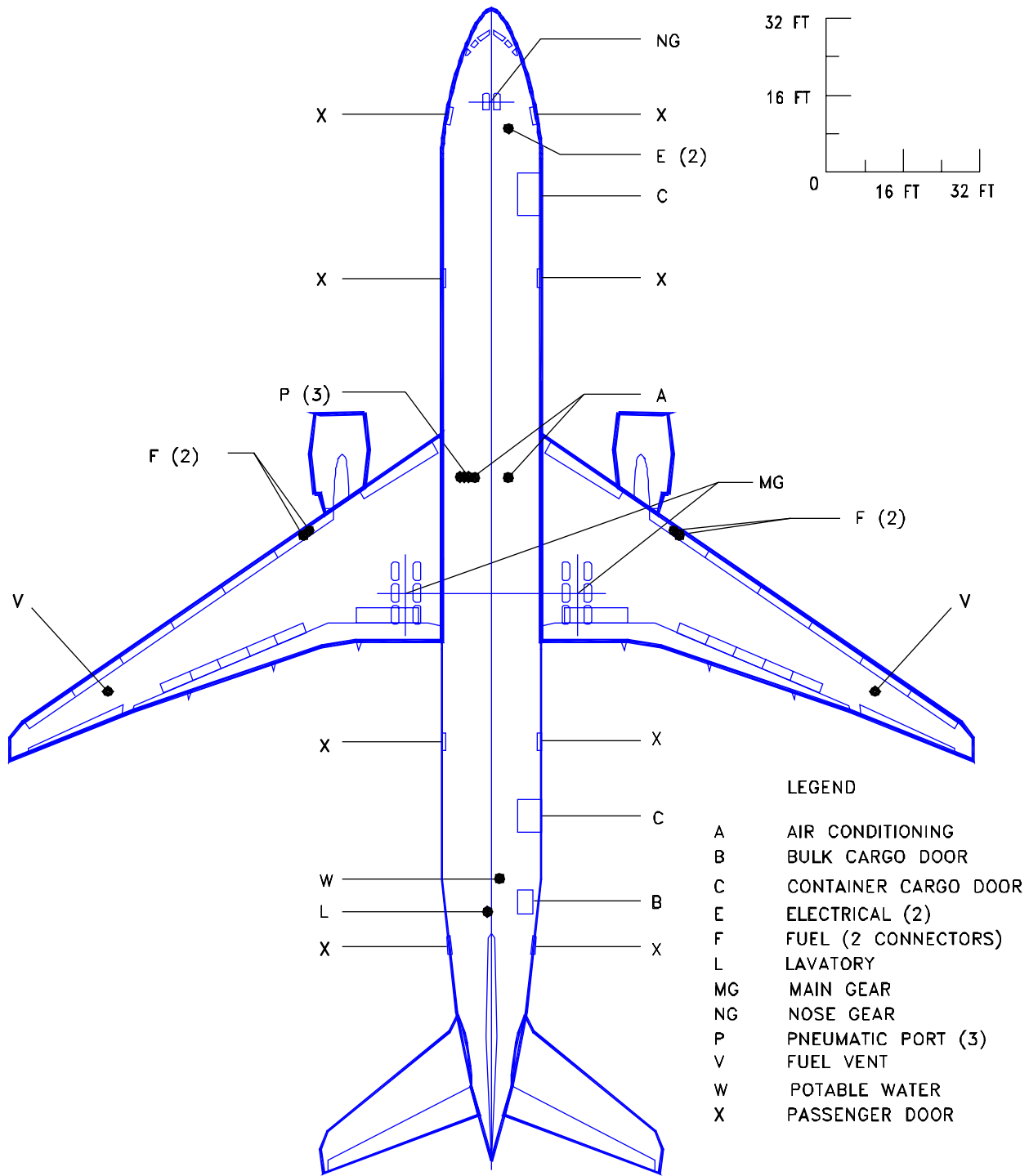
9.5.1 SCALED DRAWING - 1:1000
MODEL 777-200



NOTE: ADJUST SCALE WHEN PRINTING THIS PAGE

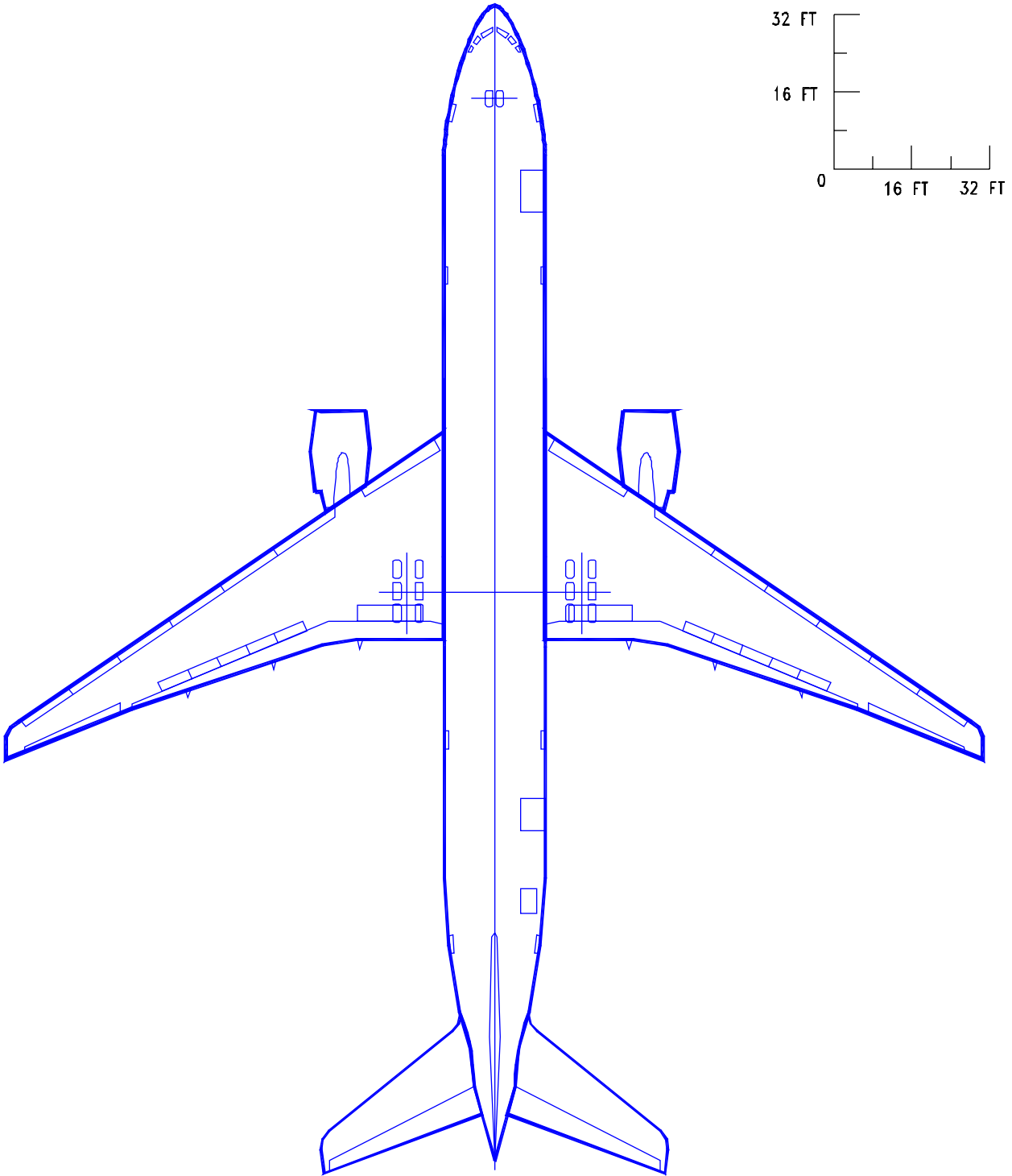
9.5.2 SCALED DRAWING - 1:1000
MODEL 777-200

D6-58329



NOTE: ADJUST SCALE WHEN PRINTING THIS PAGE

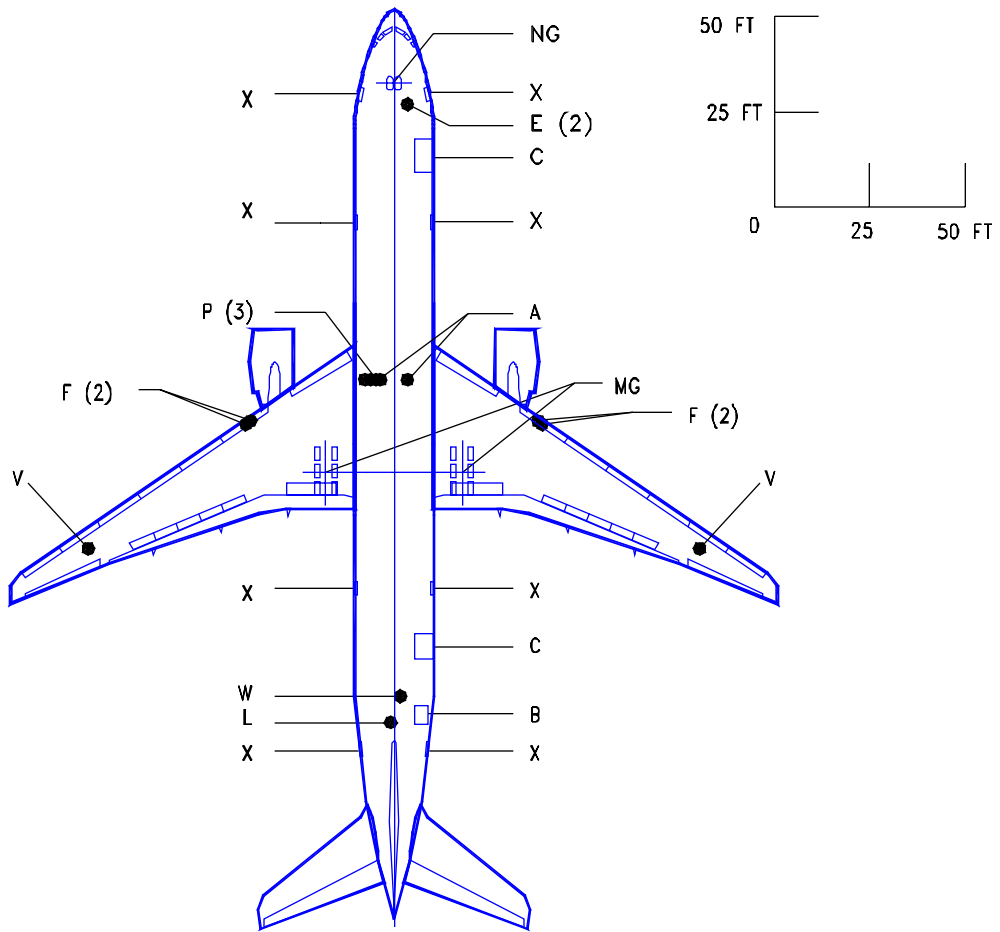
9.6.1 SCALED DRAWING - 1 IN. = 32 FT
MODEL 777-300



NOTE: ADJUST SCALE WHEN PRINTING THIS PAGE

9.6.2 SCALED DRAWING - 1 IN. = 32 FT
MODEL 777-300

D6-58329

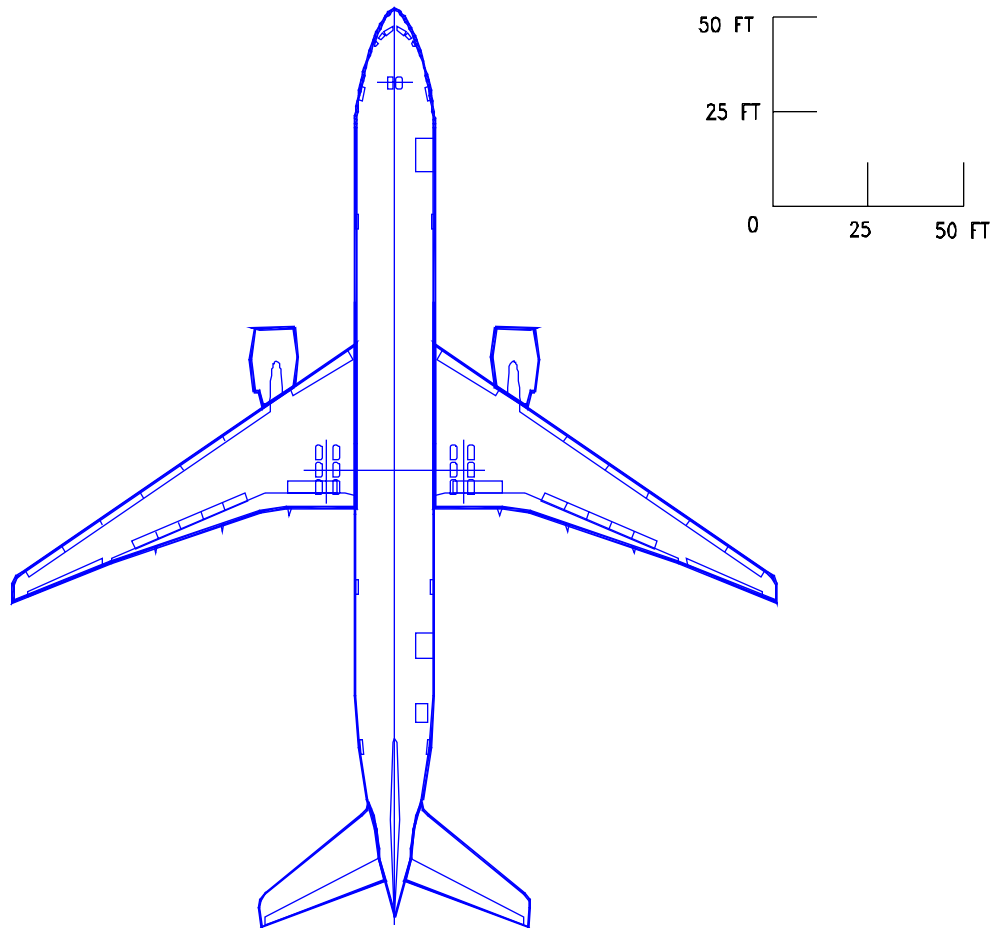


LEGEND

- A AIR CONDITIONING
- B BULK CARGO DOOR
- C CONTAINER CARGO DOOR
- E ELECTRICAL (2)
- F FUEL (2 CONNECTORS)
- L LAVATORY
- MG MAIN GEAR
- NG NOSE GEAR
- P PNEUMATIC PORT (3)
- V FUEL VENT
- W POTABLE WATER
- X PASSENGER DOOR

NOTE: ADJUST SCALE WHEN PRINTING THIS PAGE

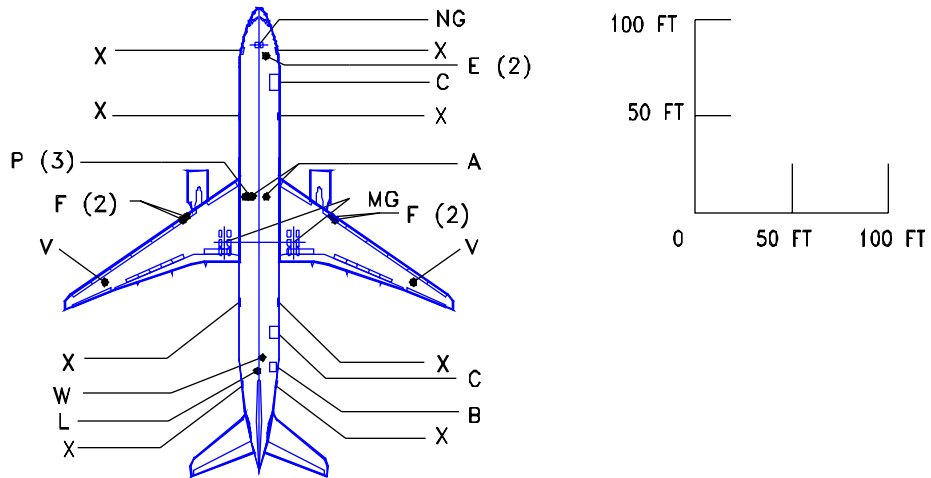
9.7.1 SCALED DRAWING - 1 IN. = 50 FT
MODEL 777-300



NOTE: ADJUST SCALE WHEN PRINTING THIS PAGE

9.7.2 SCALED DRAWING - 1 IN. = 50 FT
MODEL 777-300

D6-58329

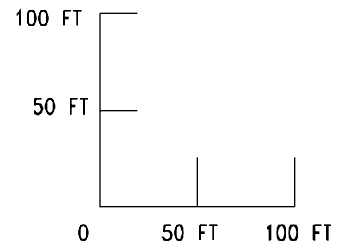
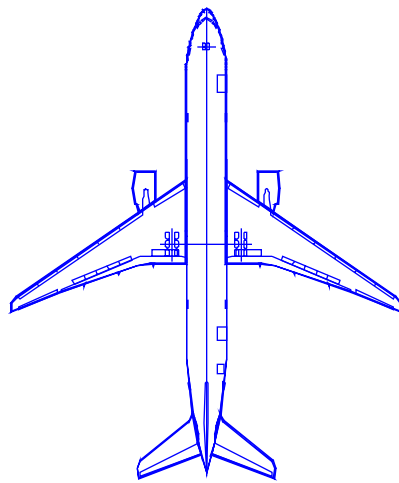


LEGEND

| | |
|----|----------------------|
| A | AIR CONDITIONING |
| B | BULK CARGO DOOR |
| C | CONTAINER CARGO DOOR |
| E | ELECTRICAL (2) |
| F | FUEL (2 CONNECTORS) |
| L | LAVATORY |
| MG | MAIN GEAR |
| NG | NOSE GEAR |
| P | PNEUMATIC PORT (3) |
| V | FUEL VENT |
| W | POTABLE WATER |
| X | PASSENGER DOOR |

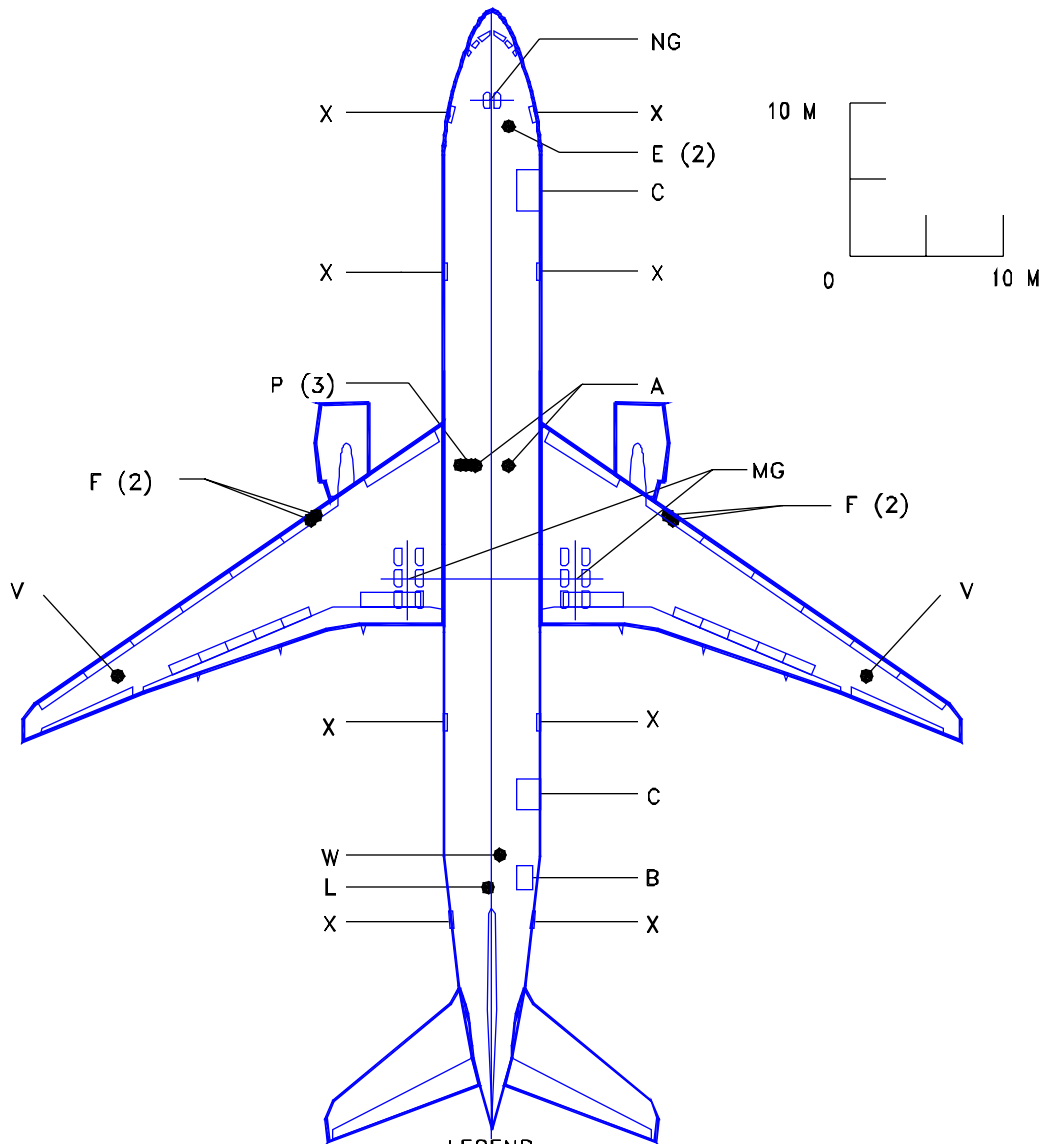
NOTE: ADJUST SCALE WHEN PRINTING THIS PAGE

9.8.1 SCALED DRAWING - 1 IN = 100 FT
MODEL 777-300



NOTE: ADJUST SCALE WHEN PRINTING THIS PAGE

9.8.2 SCALED DRAWING - 1 IN = 100 FT
MODEL 777-300

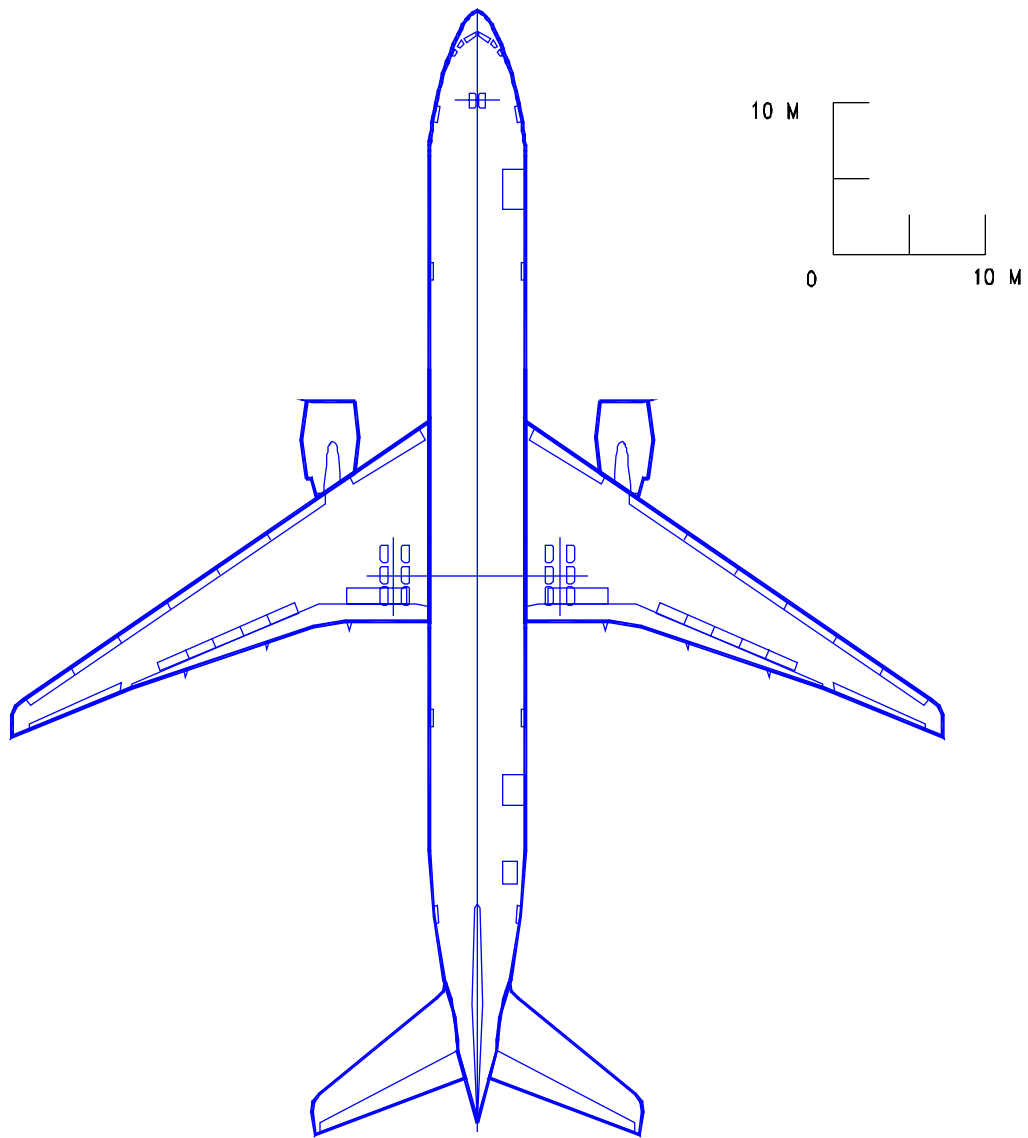


LEGEND

- A AIR CONDITIONING
- B BULK CARGO DOOR
- C CONTAINER CARGO DOOR
- E ELECTRICAL (2)
- F FUEL (2 CONNECTORS)
- L LAVATORY
- MG MAIN GEAR
- NG NOSE GEAR
- P PNEUMATIC PORT (3)
- V FUEL VENT
- W POTABLE WATER
- X PASSENGER DOOR

NOTE: ADJUST SCALE WHEN PRINTING THIS PAGE

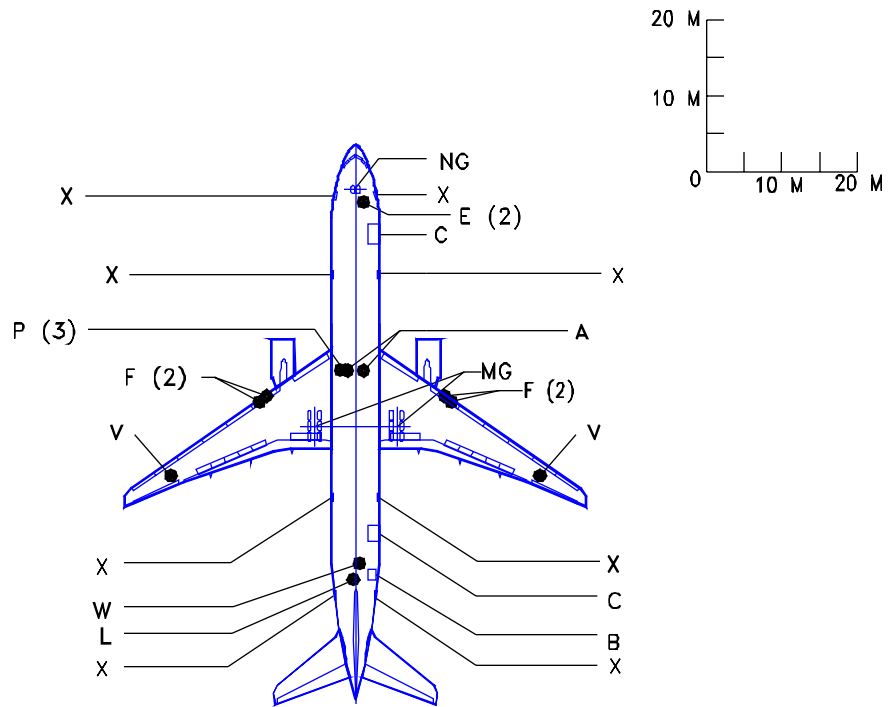
9.9.1 SCALED DRAWING - 1:500
MODEL 777-300



NOTE: ADJUST SCALE WHEN PRINTING THIS PAGE

9.9.2 SCALED DRAWING - 1:500
MODEL 777-300

D6-58329

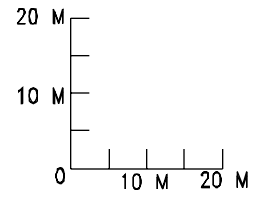
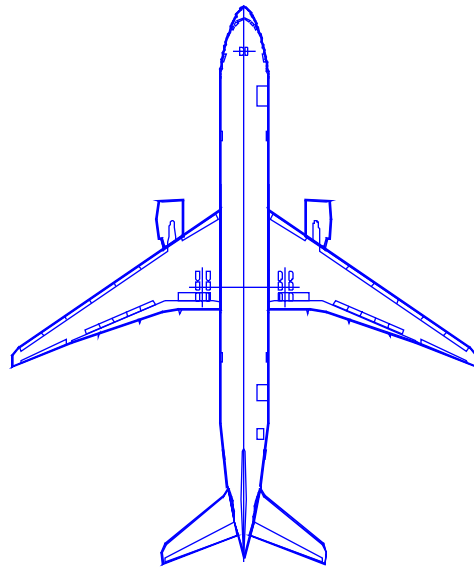


LEGEND

- A AIR CONDITIONING
- B BULK CARGO DOOR
- C CONTAINER CARGO DOOR
- E ELECTRICAL (2)
- F FUEL (2 CONNECTORS)
- L LAVATORY
- MG MAIN GEAR
- NG NOSE GEAR
- P PNEUMATIC PORT (3)
- V FUEL VENT
- W POTABLE WATER
- X PASSENGER DOOR

NOTE: ADJUST SCALE WHEN PRINTING THIS PAGE

9.10.1 SCALED DRAWING - 1:1000
MODEL 777-300



NOTE: ADJUST SCALE WHEN PRINTING THIS PAGE

9.10.2 SCALED DRAWING - 1:1000
MODEL 777-300

D6-58329