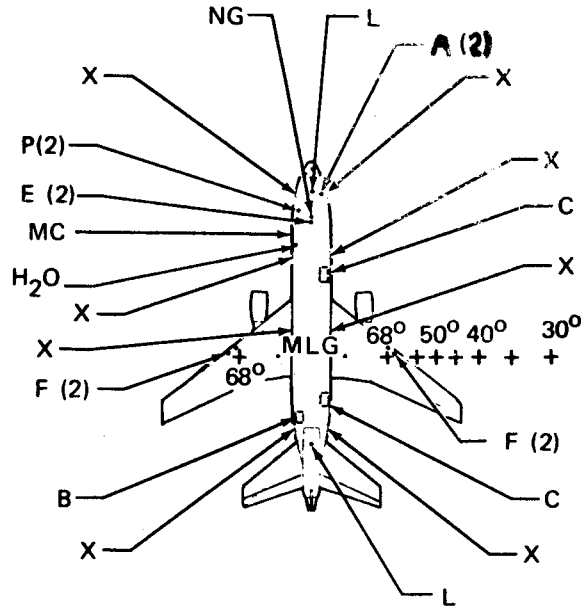


## **9.0 DC-10 SCALE DRAWINGS**

SCALE: 1 IN. = 100 FT

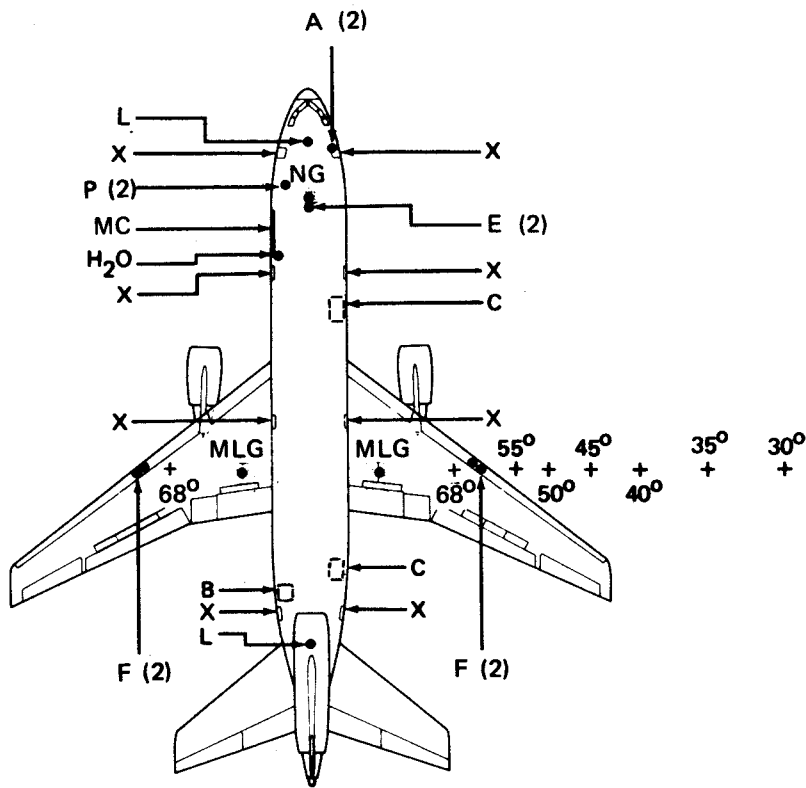


LEGEND

- A (2) AIR CONDITIONING (2 CONN)
- B BULK CARGO DOOR
- C CARGO CONTAINER DOOR
- E (2) ELECTRICAL (2 CONNECTIONS)
- F (2) FUEL (2 CONNECTIONS)
- H<sub>2</sub>O POTABLE WATER
- L LAVATORY
- MLG MAIN LANDING GEAR
- NG NOSE GEAR
- P (2) PNEUMATIC (2 CONNECTIONS)
- X PASSENGER DOOR
- + TURNING RADIUS POINTS:  
68°, 55°, 50°, 45°, 40°, 35°, 30°
- MC MAIN DECK CARGO DOOR

9.0 SCALE DRAWINGS  
MODEL DC-10 SERIES 10 AND 10CF

SCALE: 1 IN. = 50 FT

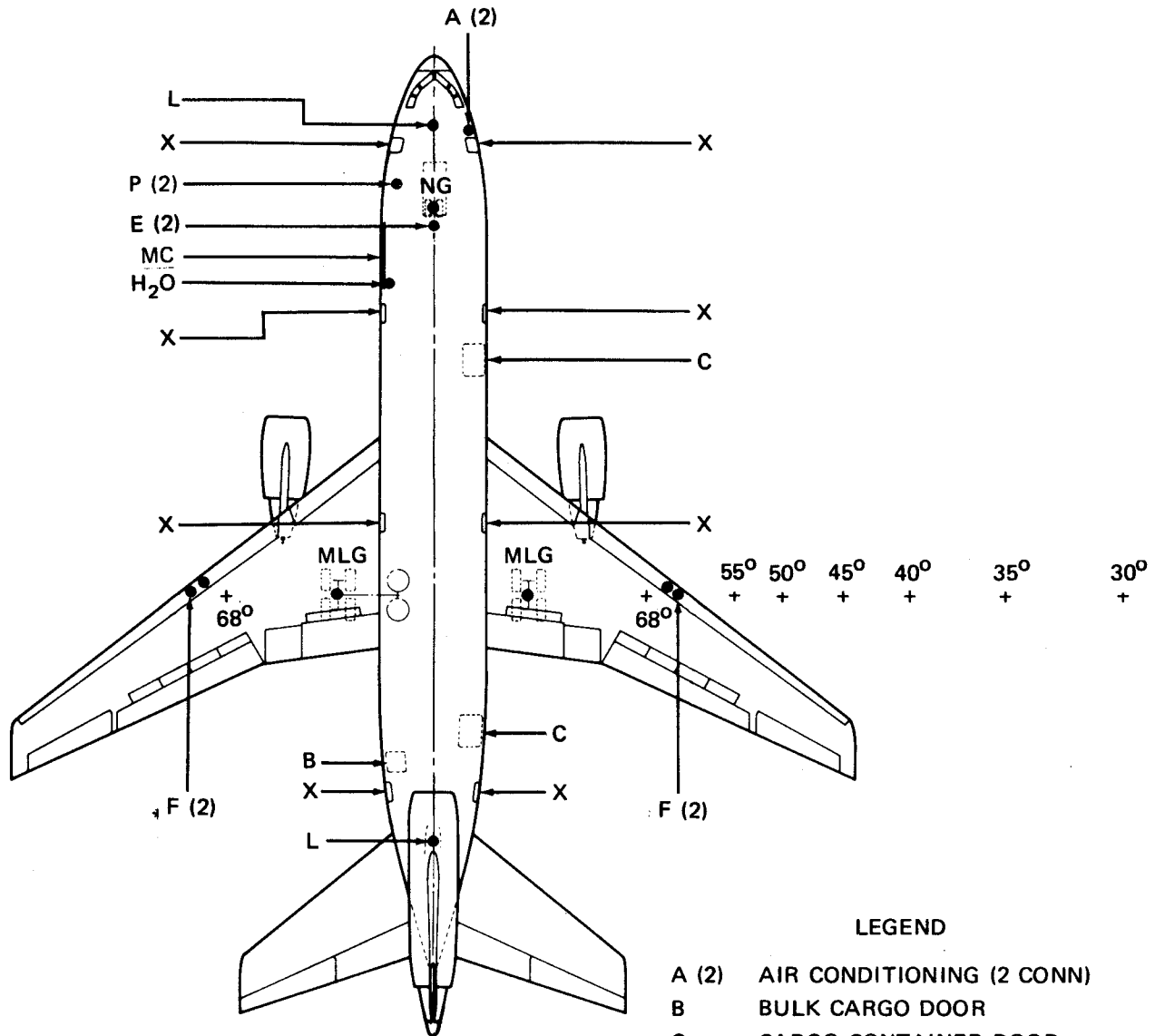


**LEGEND**

- A (2) AIR CONDITIONING (2 CONN)
- B BULK CARGO DOOR
- C CARGO CONTAINER DOOR
- E (2) ELECTRICAL (2 CONNECTIONS)
- F (2) FUEL (2 CONNECTIONS)
- H<sub>2</sub>O POTABLE WATER
- L LAVATORY
- MLG MAIN LANDING GEAR
- NG NOSE GEAR
- P (2) PNEUMATIC (2 CONNECTIONS)
- X PASSENGER DOOR
- + TURNING RADIUS POINTS:  
68°, 55°, 50°, 45°, 40°, 35°, 30°
- MC MAIN DECK CARGO DOOR

**9.0 SCALE DRAWINGS  
MODEL DC-10 SERIES 10 AND 10CF**

SCALE: 1 IN. = 32 FT

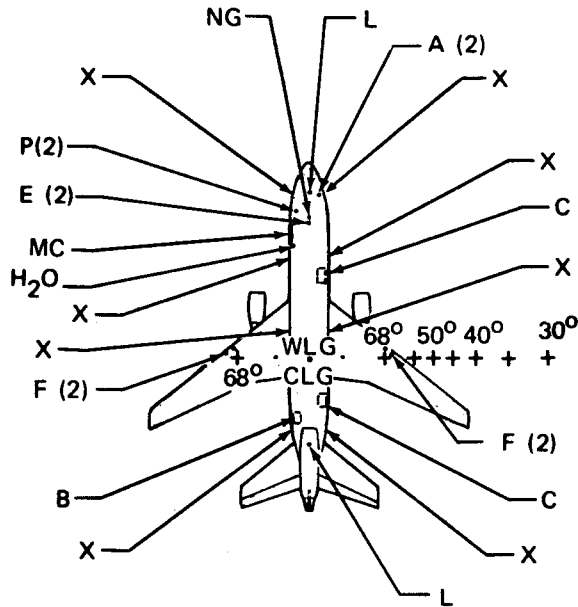


LEGEND

- A (2) AIR CONDITIONING (2 CONN)
- B BULK CARGO DOOR
- C CARGO CONTAINER DOOR
- E (2) ELECTRICAL (2 CONNECTIONS)
- F (2) FUEL (2 CONNECTIONS)
- H<sub>2</sub>O POTABLE WATER
- L LAVATORY
- MLG MAIN LANDING GEAR
- NG NOSE GEAR
- P (2) PNEUMATIC (2 CONNECTIONS)
- X PASSENGER DOOR
- + TURNING RADIUS POINTS:  
68°, 55°, 50°, 45°, 40°, 35°, 30°
- MC MAIN DECK CARGO DOOR

9.0 SCALE DRAWINGS  
MODEL DC-10 SERIES 10 AND 10CF

SCALE: 1 IN. = 100 FT

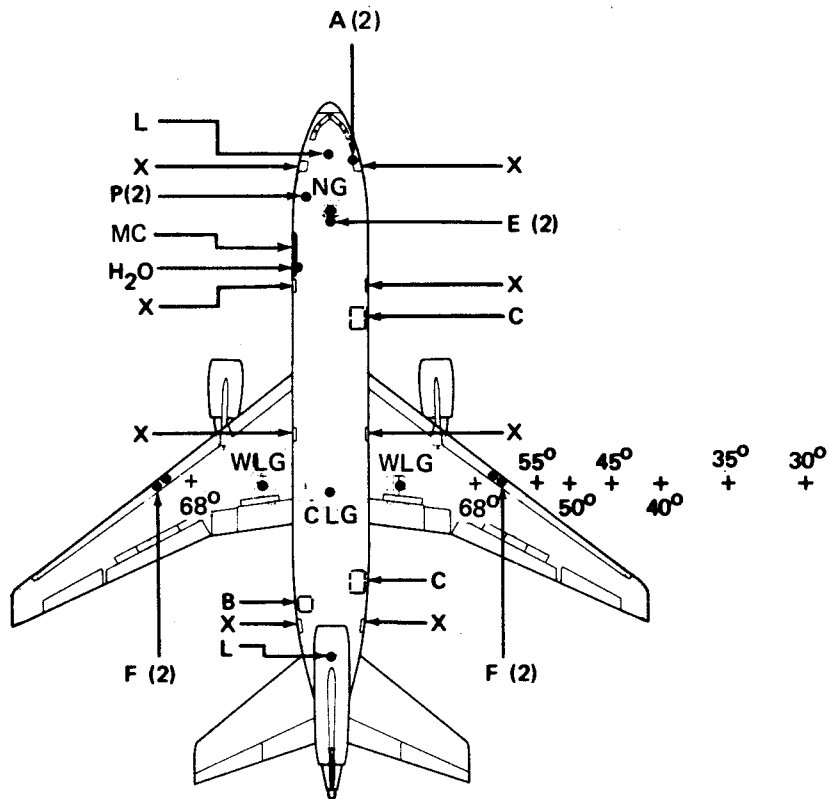


**LEGEND**

- A (2) AIR CONDITIONING (2 CONN)
- B BULK CARGO DOOR
- C CARGO CONTAINER DOOR
- E (2) ELECTRICAL (2 CONNECTIONS)
- F (2) FUEL (2 CONNECTIONS)
- H<sub>2</sub>O POTABLE WATER
- L LAVATORY
- WL.G WING LANDING GEAR
- CLG CENTER LANDING GEAR
- NG NOSE GEAR
- P (2) PNEUMATIC (2 CONNECTIONS)
- X PASSENGER DOOR
- + TURNING RADIUS POINTS:  
68°, 55°, 50°, 45°, 40°, 35°, 30°
- MC MAIN DECK CARGO DOOR

**9.0 SCALE DRAWINGS  
MODEL DC-10 SERIES 30, AND 30CF  
(LOWER GALLEY)**

SCALE: 1 IN. = 50 FT

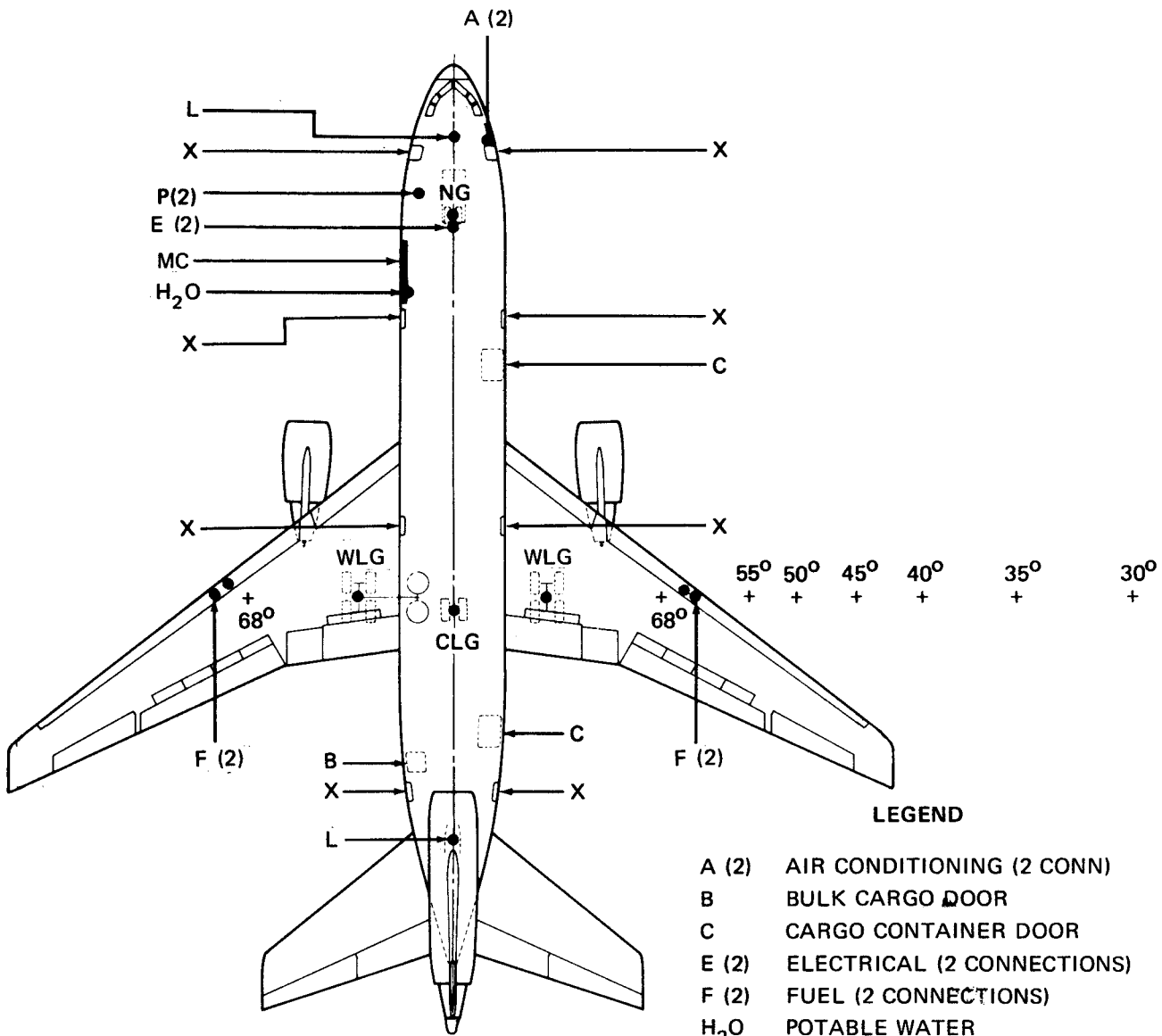


**LEGEND**

- A (2) AIR CONDITIONING (2 CONN)
- B BULK CARGO DOOR
- C CARGO CONTAINER DOOR
- E (2) ELECTRICAL (2 CONNECTIONS)
- F (2) FUEL (2 CONNECTIONS)
- H<sub>2</sub>O POTABLE WATER
- L LAVATORY
- WLG WING LANDING GEAR
- CLG CENTER LANDING GEAR
- NG NOSE GEAR
- P (2) PNEUMATIC (2 CONNECTIONS)
- X PASSENGER DOOR
- + TURNING RADIUS POINTS:  
68°, 55°, 50°, 45°, 40°, 35°, 30°
- MC MAIN DECK CARGO DOOR

**9.0 SCALE DRAWINGS  
MODEL DC-10 SERIES 30, AND 30CF  
(LOWER GALLEY)**

SCALE: 1 IN. = 32 FT

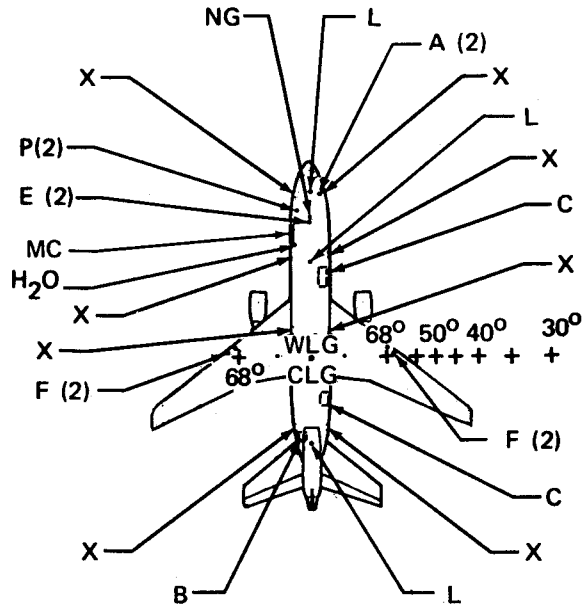


**LEGEND**

- A (2) AIR CONDITIONING (2 CONN)
- B BULK CARGO DOOR
- C CARGO CONTAINER DOOR
- E (2) ELECTRICAL (2 CONNECTIONS)
- F (2) FUEL (2 CONNECTIONS)
- H<sub>2</sub>O POTABLE WATER
- L LAVATORY
- WLG WING LANDING GEAR
- CLG CENTER LANDING GEAR
- NG NOSE GEAR
- P (2) PNEUMATIC (2 CONNECTIONS)
- X PASSENGER DOOR
- + TURNING RADIUS POINTS:  
68°, 55°, 50°, 45°, 40°, 35°, 30°
- MC MAIN DECK CARGO DOOR

**9.0 SCALE DRAWINGS  
MODEL DC-10 SERIES 30, AND 30CF  
(LOWER GALLEY)**

SCALE: 1 IN. = 100 FT

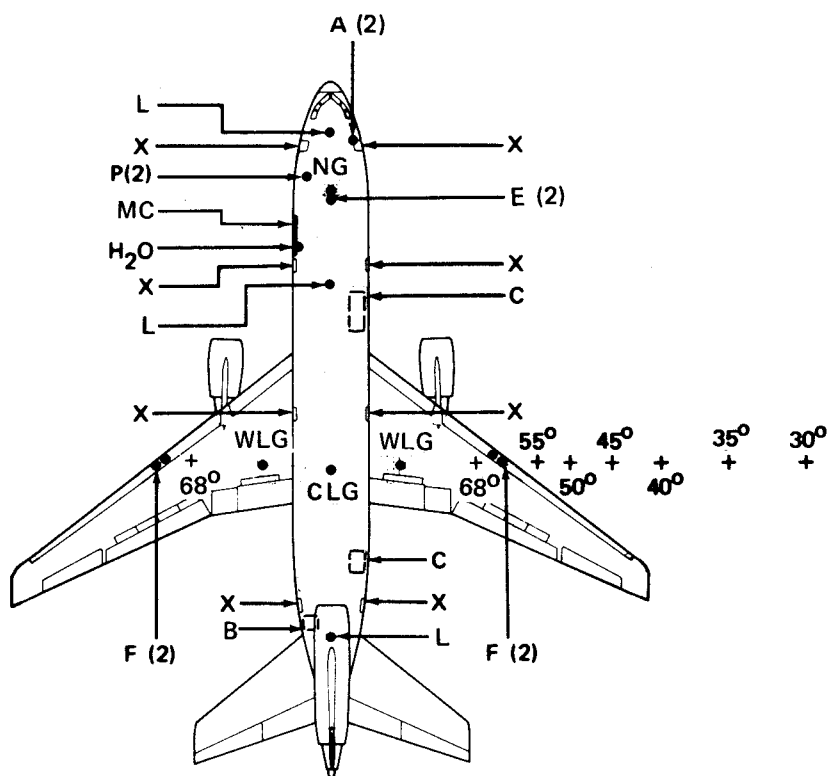


**LEGEND**

- A (2) AIR CONDITIONING (2 CONN)
- B BULK CARGO DOOR
- C CARGO CONTAINER DOOR
- E (2) ELECTRICAL (2 CONNECTIONS)
- F (2) FUEL (2 CONNECTIONS)
- H<sub>2</sub>O POTABLE WATER
- L LAVATORY
- WLG WING LANDING GEAR
- CLG CENTER LANDING GEAR
- NG NOSE GEAR
- P (2) PNEUMATIC (2 CONNECTIONS)
- X PASSENGER DOOR
- + TURNING RADIUS POINTS:  
68°, 55°, 50°, 45°, 40°, 35°, 30°
- MC MAIN DECK CARGO DOOR

**9.0 SCALE DRAWINGS  
MODEL DC-10 SERIES 30 AND 30CF  
(UPPER GALLEY)**

SCALE: 1 IN. = 50 FT

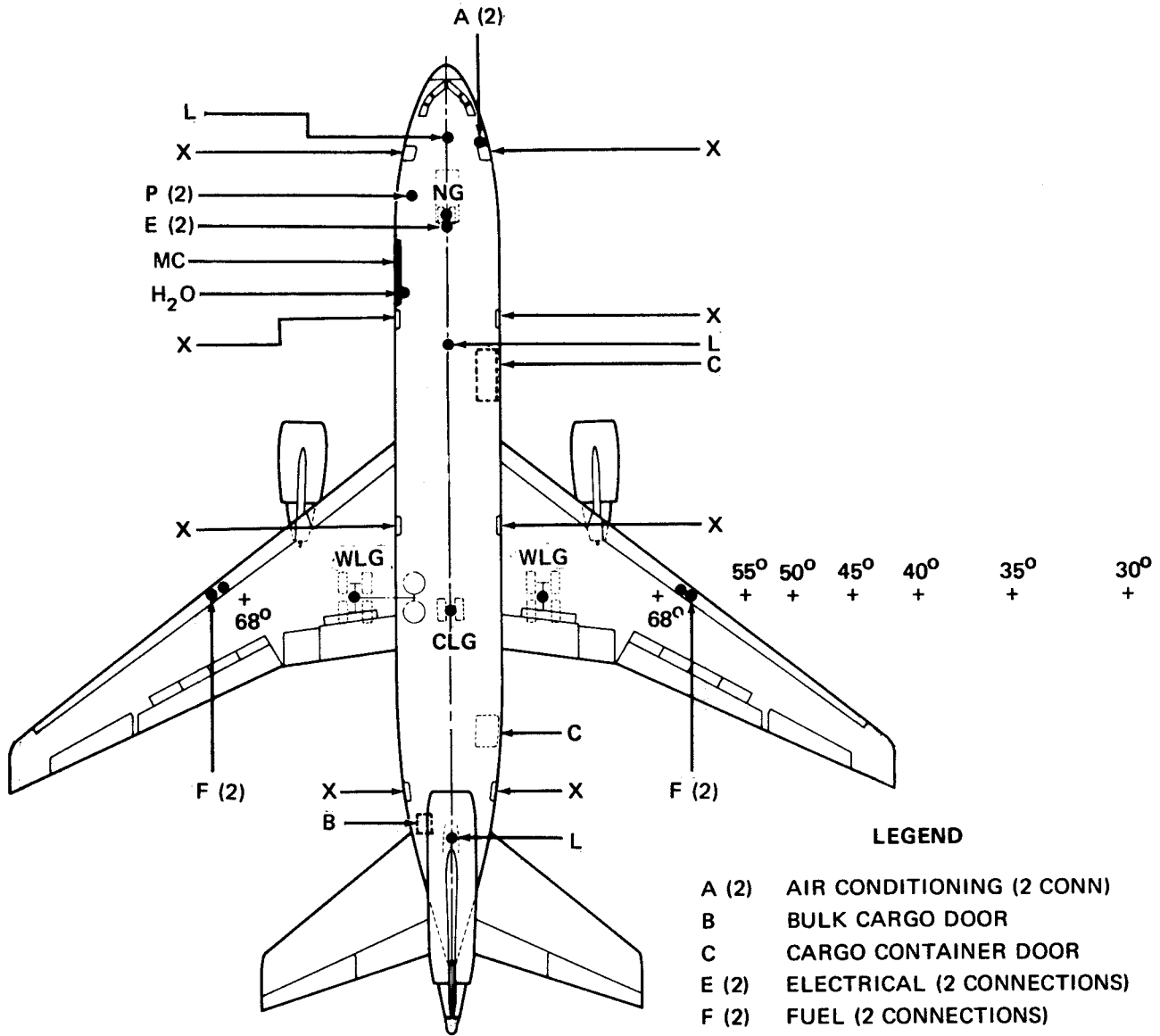


**LEGEND**

- A (2) AIR CONDITIONING (2 CONN)
- B BULK CARGO DOOR
- C CARGO CONTAINER DOOR
- E (2) ELECTRICAL (2 CONNECTIONS)
- F (2) FUEL (2 CONNECTIONS)
- H<sub>2</sub>O POTABLE WATER
- L LAVATORY
- WLG WING LANDING GEAR
- CLG CENTER LANDING GEAR
- NG NOSE GEAR
- P (2) PNEUMATIC (2 CONNECTIONS)
- X PASSENGER DOOR
- + TURNING RADIUS POINTS:  
68°, 55°, 50°, 45°, 40°, 35°, 30°
- MC MAIN DECK CARGO DOOR

**9.0 SCALE DRAWINGS  
MODEL DC-10 SERIES 30 AND 30CF  
(UPPER GALLEY)**

SCALE: 1 IN. = 32 FT

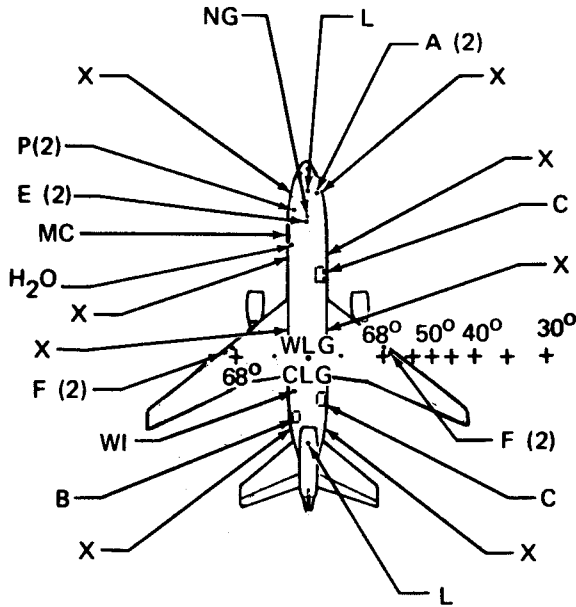


**LEGEND**

- A (2) AIR CONDITIONING (2 CONN)
- B BULK CARGO DOOR
- C CARGO CONTAINER DOOR
- E (2) ELECTRICAL (2 CONNECTIONS)
- F (2) FUEL (2 CONNECTIONS)
- H<sub>2</sub>O POTABLE WATER
- L LAVATORY
- WLG WING LANDING GEAR
- CLG CENTER LANDING GEAR
- NG NOSE GEAR
- P (2) PNEUMATIC (2 CONNECTIONS)
- X PASSENGER DOOR
- + TURNING RADIUS POINTS:  
68°, 55°, 50°, 45°, 40°, 35°, 30°
- MC MAIN DECK CARGO DOOR

**9.0 SCALE DRAWINGS  
MODEL DC-10 SERIES 30 AND 30CF  
(UPPER GALLEY)**

SCALE: 1 IN. = 100 FT

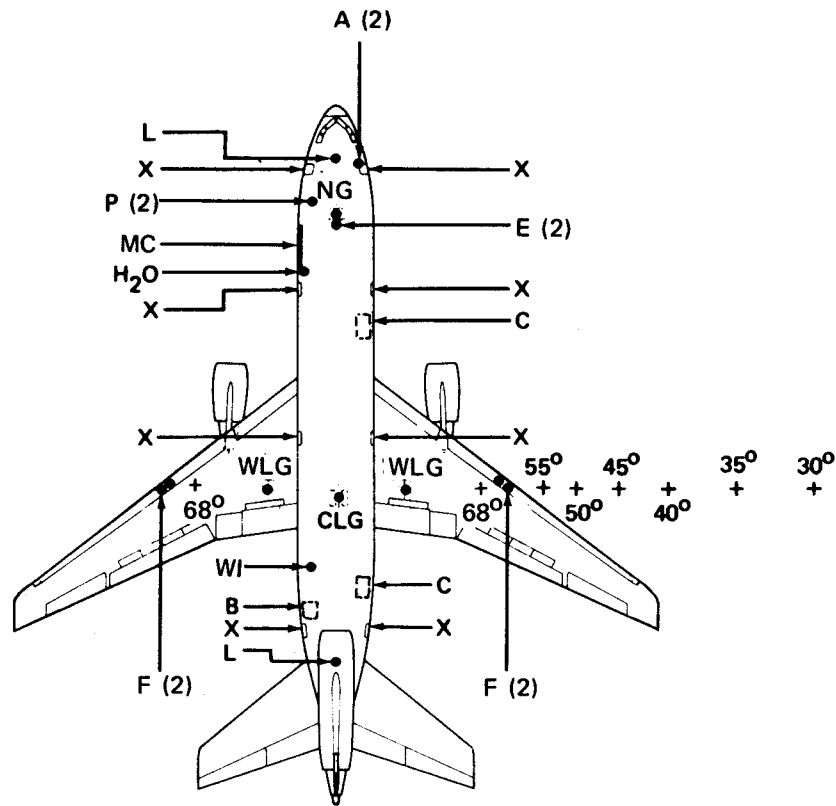


**LEGEND**

- A (2) AIR CONDITIONING (2 CONN)
- B BULK CARGO DOOR
- C CARGO CONTAINER DOOR
- E (2) ELECTRICAL (2 CONNECTIONS)
- F (2) FUEL (2 CONNECTIONS)
- H<sub>2</sub>O POTABLE WATER
- WI WATER INJECTION
- L LAVATORY
- WLG WING LANDING GEAR
- CLG CENTER LANDING GEAR
- NG NOSE GEAR
- P (2) PNEUMATIC (2 CONNECTIONS)
- X PASSENGER DOOR
- + TURNING RADIUS POINTS:  
68°, 55°, 50°, 45°, 40°, 35°, 30°
- MC MAIN DECK CARGO DOOR

**9.0 SCALE DRAWINGS  
MODEL DC-10 SERIES 40 AND 40CF  
(LOWER GALLEY)**

SCALE: 1 IN. = 50 FT



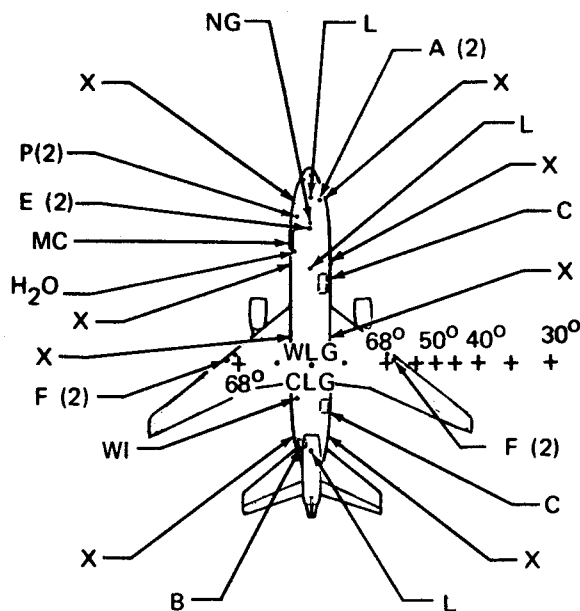
**LEGEND**

- A (2) AIR CONDITIONING (2 CONN)
- B BULK CARGO DOOR
- C CARGO CONTAINER DOOR
- E (2) ELECTRICAL (2 CONNECTIONS)
- F (2) FUEL (2 CONNECTIONS)
- H<sub>2</sub>O POTABLE WATER
- WI WATER INJECTION
- L LAVATORY
- WLG WING LANDING GEAR
- CLG CENTER LANDING GEAR
- NG NOSE GEAR
- P (2) PNEUMATIC (2 CONNECTIONS)
- X PASSENGER DOOR
- + TURNING RADIUS POINTS:  
68°, 55°, 50°, 45°, 40°, 35°, 30°
- MC MAIN DECK CARGO DOOR

**9.0 SCALE DRAWINGS  
MODEL DC-10 SERIES 40 AND 40CF  
(LOWER GALLEY)**



SCALE: 1 IN. = 100 FT

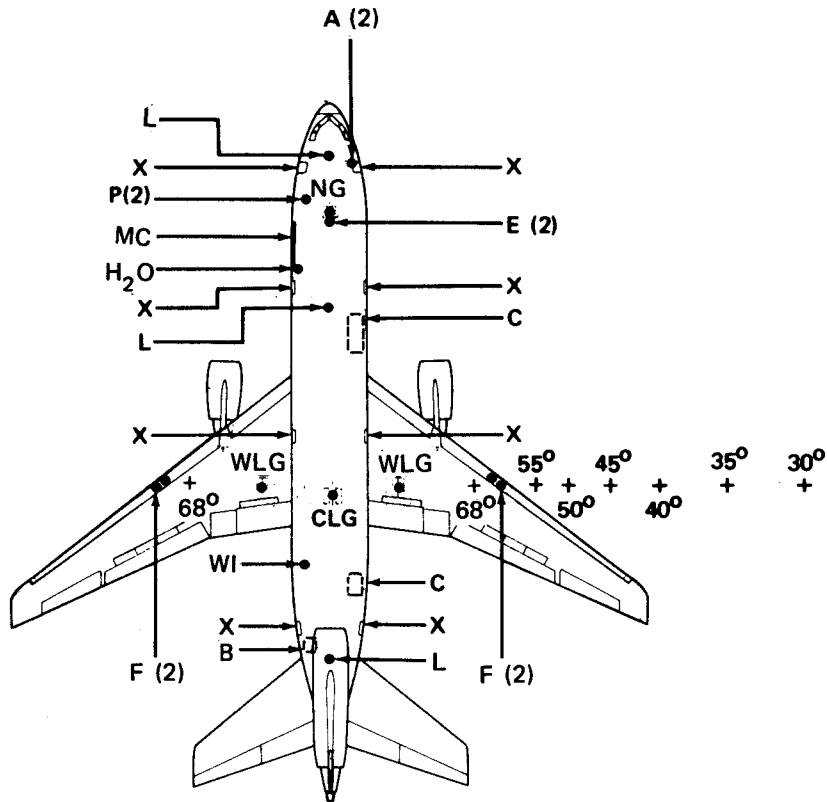


**LEGEND**

- A (2) AIR CONDITIONING (2 CONN)
- B BULK CARGO DOOR
- C CARGO CONTAINER DOOR
- E (2) ELECTRICAL (2 CONNECTIONS)
- F (2) FUEL (2 CONNECTIONS)
- H<sub>2</sub>O POTABLE WATER
- WI WATER INJECTION
- L LAVATORY
- WL.G WING LANDING GEAR
- CLG CENTER LANDING GEAR
- NG NOSE GEAR
- P (2) PNEUMATIC (2 CONNECTIONS)
- X PASSENGER DOOR
- + TURNING RADIUS POINTS:  
68°, 55°, 50°, 45°, 40°, 35°, 30°
- MC MAIN DECK CARGO DOOR

**9.0 SCALE DRAWINGS  
MODEL DC-10 SERIES 40 AND 40CF  
(UPPER GALLEY)**

SCALE: 1 IN. = 50 FT

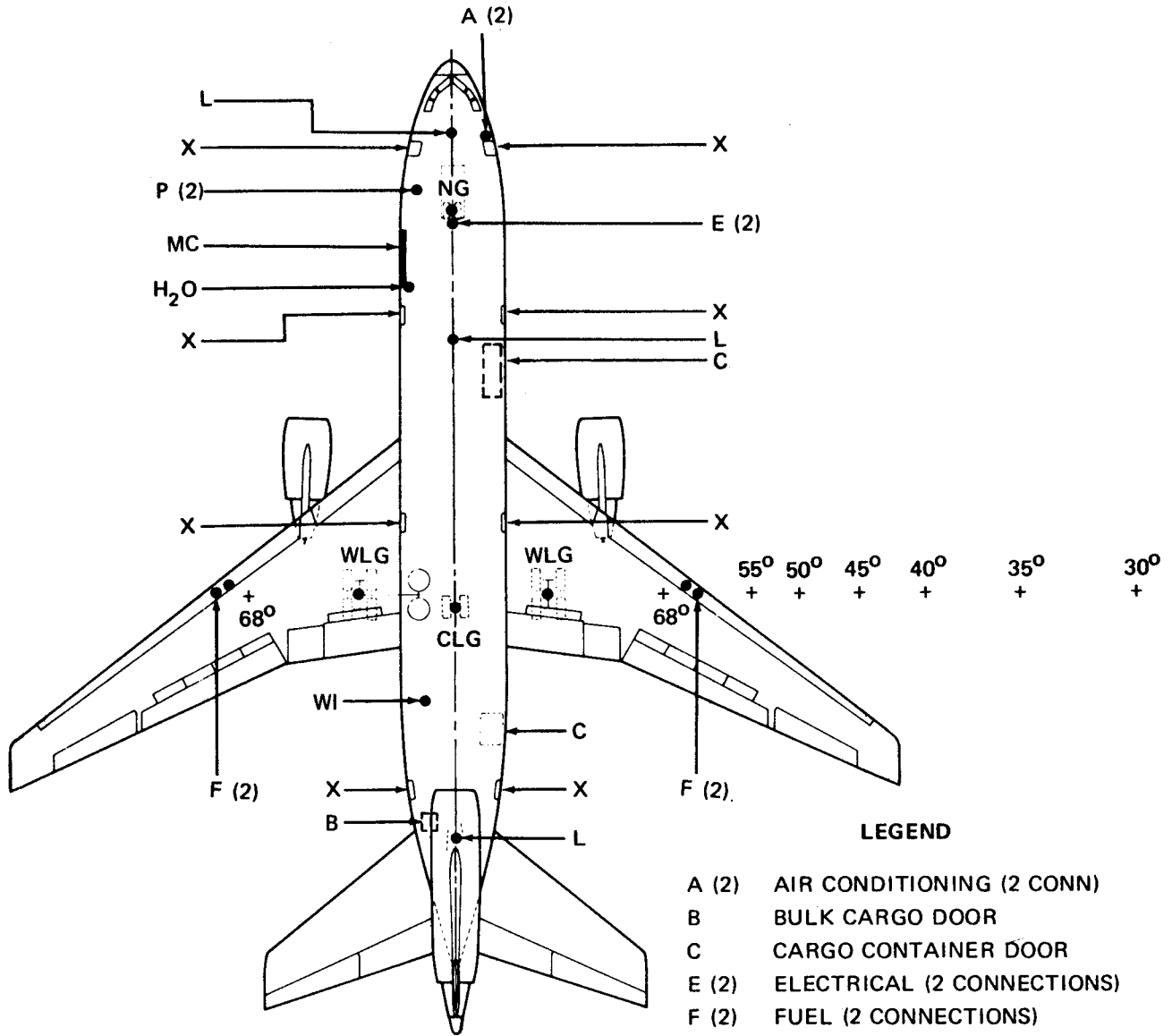


**LEGEND**

- A (2) AIR CONDITIONING (2 CONN)
- B BULK CARGO DOOR
- C CARGO CONTAINER DOOR
- E (2) ELECTRICAL (2 CONNECTIONS)
- F (2) FUEL (2 CONNECTIONS)
- H<sub>2</sub>O POTABLE WATER
- WI WATER INJECTION
- L LAVATORY
- WLG WING LANDING GEAR
- CLG CENTER LANDING GEAR
- NG NOSE GEAR
- P (2) PNEUMATIC (2 CONNECTIONS)
- X PASSENGER DOOR
- + TURNING RADIUS POINTS:  
68°, 55°, 50°, 45°, 40°, 35°, 30°
- MC MAIN DECK CARGO DOOR

**9.0 SCALE DRAWINGS  
MODEL DC-10 SERIES 40 AND 40CF  
(UPPER GALLEY)**

SCALE: 1 IN. = 32 FT



**LEGEND**

- A (2) AIR CONDITIONING (2 CONN)
- B BULK CARGO DOOR
- C CARGO CONTAINER DOOR
- E (2) ELECTRICAL (2 CONNECTIONS)
- F (2) FUEL (2 CONNECTIONS)
- H<sub>2</sub>O POTABLE WATER
- WI WATER INJECTION
- L LAVATORY
- WLG WING LANDING GEAR
- CLG CENTER LANDING GEAR
- NG NOSE GEAR
- P (2) PNEUMATIC (2 CONNECTIONS)
- X PASSENGER DOOR
- + TURNING RADIUS POINTS:  
68°, 55°, 50°, 45°, 40°, 35°, 30°
- MC MAIN DECK CARGO DOOR

**9.0 SCALE DRAWINGS  
MODEL DC-10 SERIES 40 AND 40CF  
(UPPER GALLEY)**

THIS PAGE LEFT BLANK INTENTIONALLY.