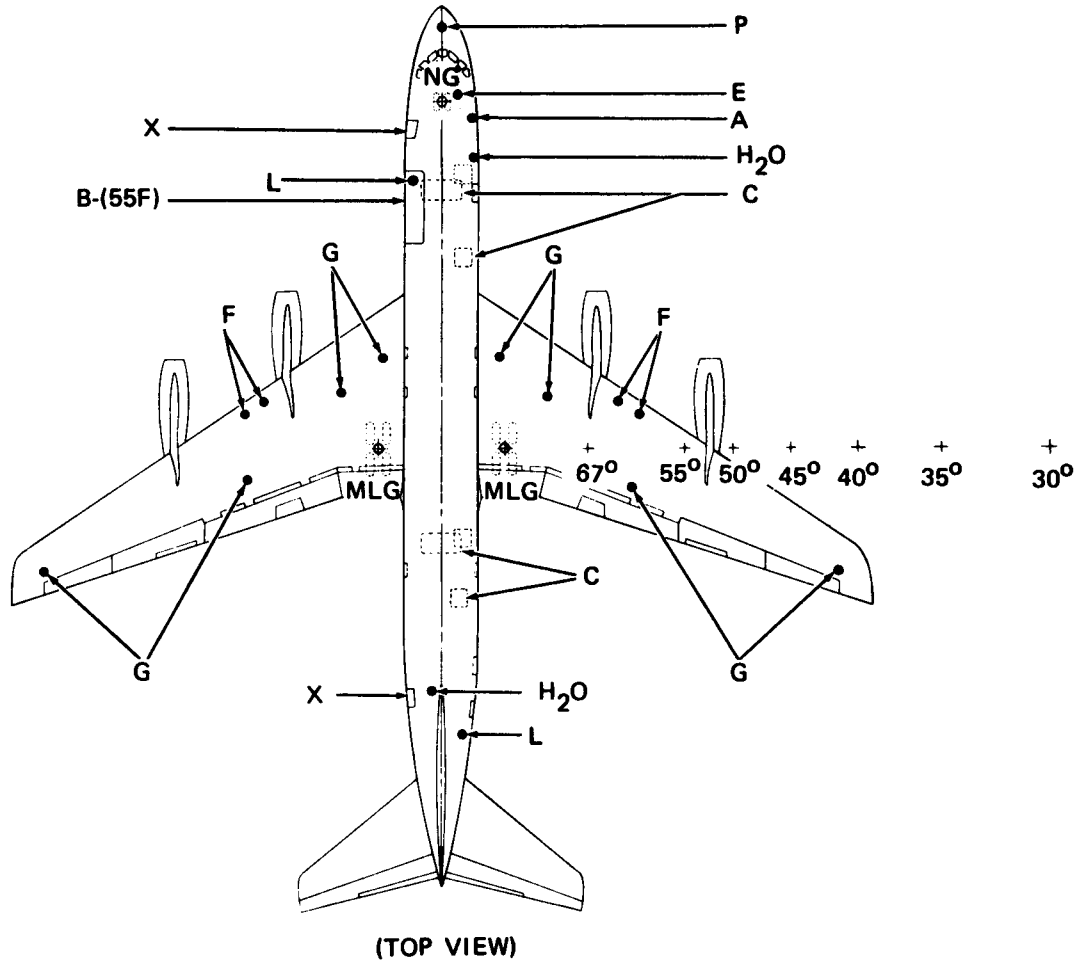


SCALE: 1 IN. = 32 FT



LEGEND

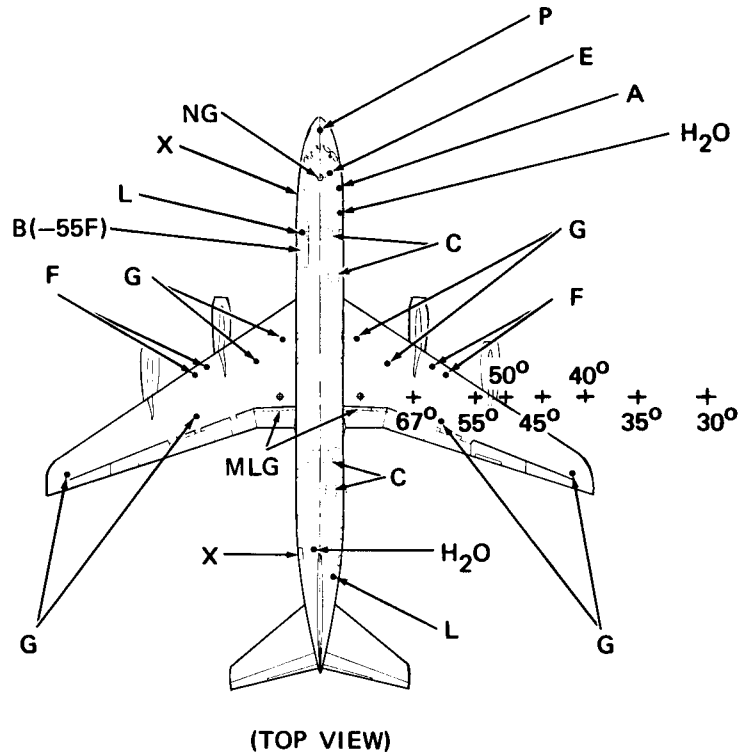
- A. PRECONDITIONED AIR
- B. MAIN CARGO DOOR
- C. FWD, AFT CARGO DOORS
- E. ELECTRICAL - GROUND POWER
- F. PRESSURE REFUELING POINTS (4)
- G. GRAVITY REFUELING POINTS (6)
- H<sub>2</sub>O POTABLE WATER (2)

- L. LAVATORY
- MLG MAIN LANDING GEAR
- NG NOSE LANDING GEAR
- P. PNEUMATIC POWER
- X. PASSENGER DOOR

TURNING RADIUS POINTS, 67°, 55°, 50°, 45°, 40°, 35°, 30°

9.0 SCALE DRAWINGS  
MODEL DC-8-43, -55, -55F

SCALE: 1 IN. = 50 FT

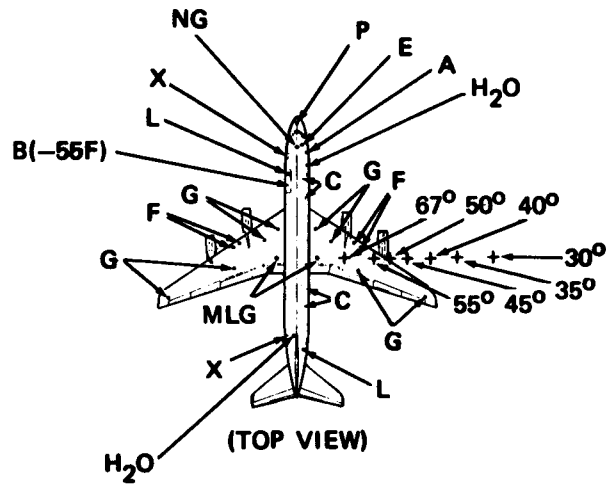


LEGEND

- |                  |                               |     |  |
|------------------|-------------------------------|-----|--|
| A.               | PRECONDITIONED AIR            | L.  | LAVATORY   |
| B.               | MAIN CARGO DOOR               | MLG | MAIN LANDING GEAR  |
| C.               | FWD, AFT CARGO DOORS          | NG  | NOSE LANDING GEAR  |
| E.               | ELECTRICAL - GROUND POWER     | P.  | PNEUMATIC POWER  |
| F.               | PRESSURE REFUELING POINTS (4) | X.  | PASSENGER DOOR   |
| G.               | GRAVITY REFUELING POINTS (6)  |     |  |
| H <sub>2</sub> O | POTABLE WATER (2)             |     |  |
|                  |                               |     | TURNING RADIUS POINTS, 67°, 55°, 50°, 45°, 40°, 35°, 30° |

9.0 SCALE DRAWINGS  
MODEL DC-8-43, -55, -55F

SCALE: 1 IN. = 100 FT



LEGEND

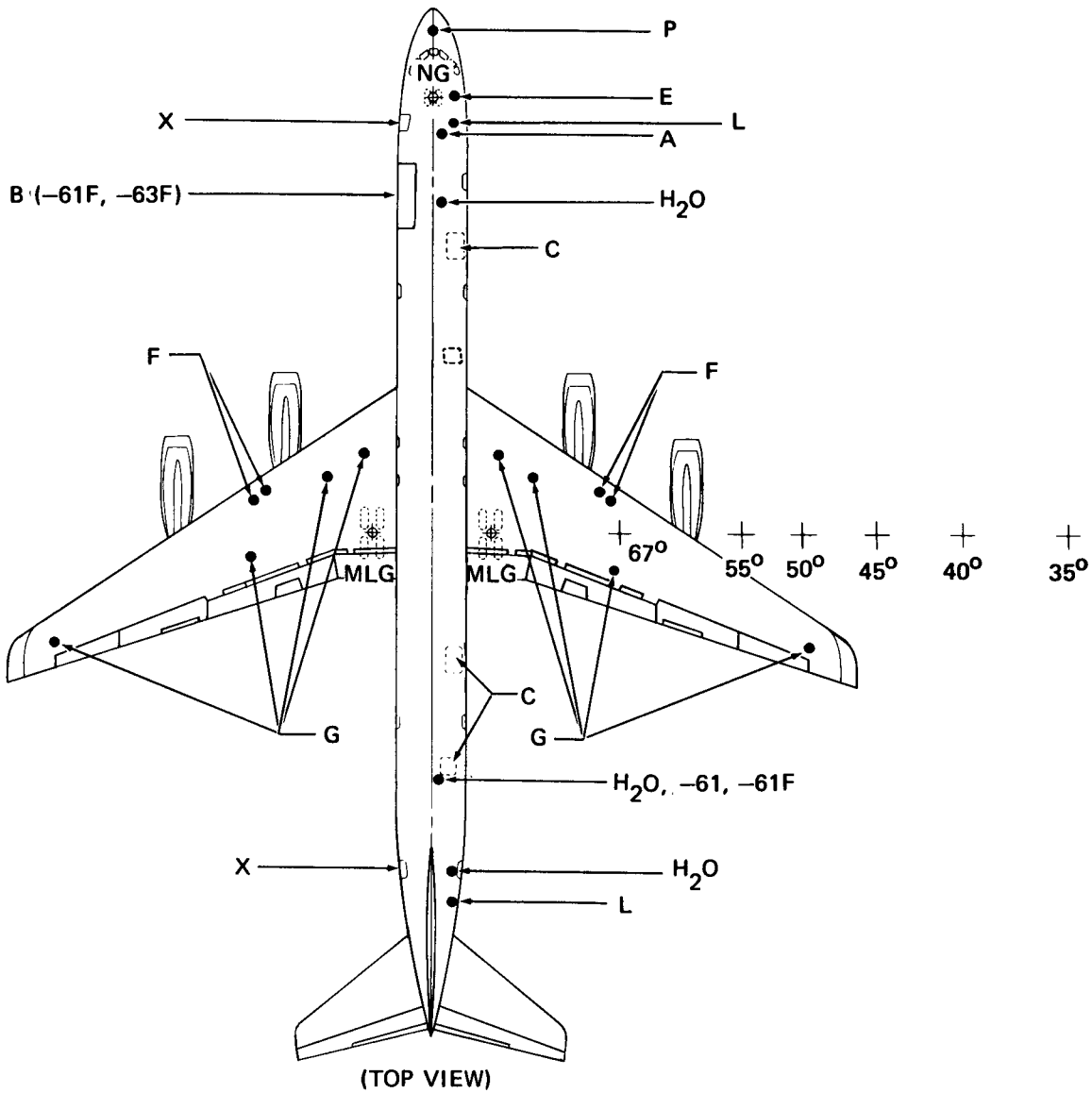
- A. PRECONDITIONED AIR
- B. MAIN CARGO DOOR
- C. FWD, AFT CARGO DOORS
- E. ELECTRICAL - GROUND POWER
- F. PRESSURE REFUELING POINTS (4)
- G. GRAVITY REFUELING POINTS (6)
- H<sub>2</sub>O POTABLE WATER (2)

- L. LAVATORY
- MLG MAIN LANDING GEAR
- NG NOSE LANDING GEAR
- P. PNEUMATIC POWER
- X. PASSENGER DOOR

TURNING RADIUS POINTS, 67°, 55°, 50°, 45°, 40°, 35°, 30°

9.0 SCALE DRAWINGS  
MODEL DC-8-43, -55, -55F

SCALE: 1 IN. = 32 FT

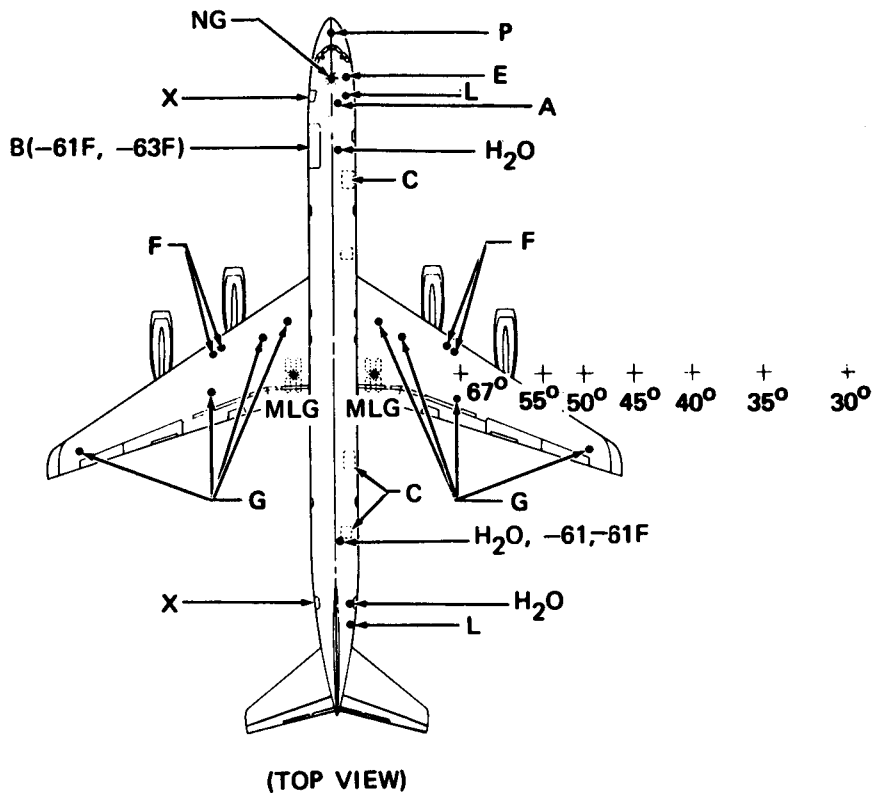


LEGEND

- |                                  |                              |
|----------------------------------|------------------------------|
| A. PRE-CONDITIONED AIR           | L LAVATORY                   |
| B. MAIN CARGO DOOR               | MLG MAINLANDING GEAR         |
| C. FWD, AFT CARGO DOORS          | NG NOSE GEAR                 |
| E. ELECTRICAL - GROUND POWER     | P PNEUMATIC                  |
| F. PRESSURE REFUELING POINTS (4) | X PASSENGER DOOR             |
| G. GRAVITY REFUELING POINTS (8)  | TURNING RADIUS POINTS, 67°   |
| H <sub>2</sub> O POTABLE WATER   | 55°, 50°, 45°, 40°, 35°, 30° |

9.0 SCALE DRAWINGS  
 MODEL DC-8-61, -61F, -63, -63F, -71, -71F, -73, -73F

SCALE: 1 IN. = 50 FT



LEGEND

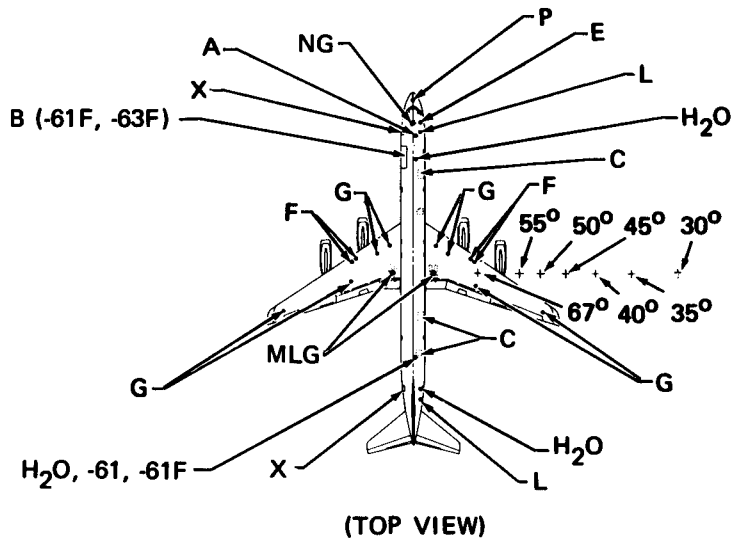
- A. PRECONDITIONED AIR
- B. MAIN CARGO DOOR
- C. FWD, AFT CARGO DOORS
- E. ELECTRICAL – GROUND POWER
- F. PRESSURE REFUELING POINTS (4)
- G. GRAVITY REFUELING POINTS (6)
- H<sub>2</sub>O POTABLE WATER (2)

- L. LAVATORY
- MLG MAIN LANDING GEAR
- NG NOSE LANDING GEAR
- P. PNEUMATIC POWER
- X. PASSENGER DOOR

TURNING RADIUS POINTS, 67°, 55°, 50°, 45°, 40°, 35°, 30°

9.0 SCALE DRAWINGS  
 MODEL DC-8-61, -61F, -63, -63F, -71, -71F, -73, -73F

SCALE: 1 IN. = 100 FT



LEGEND

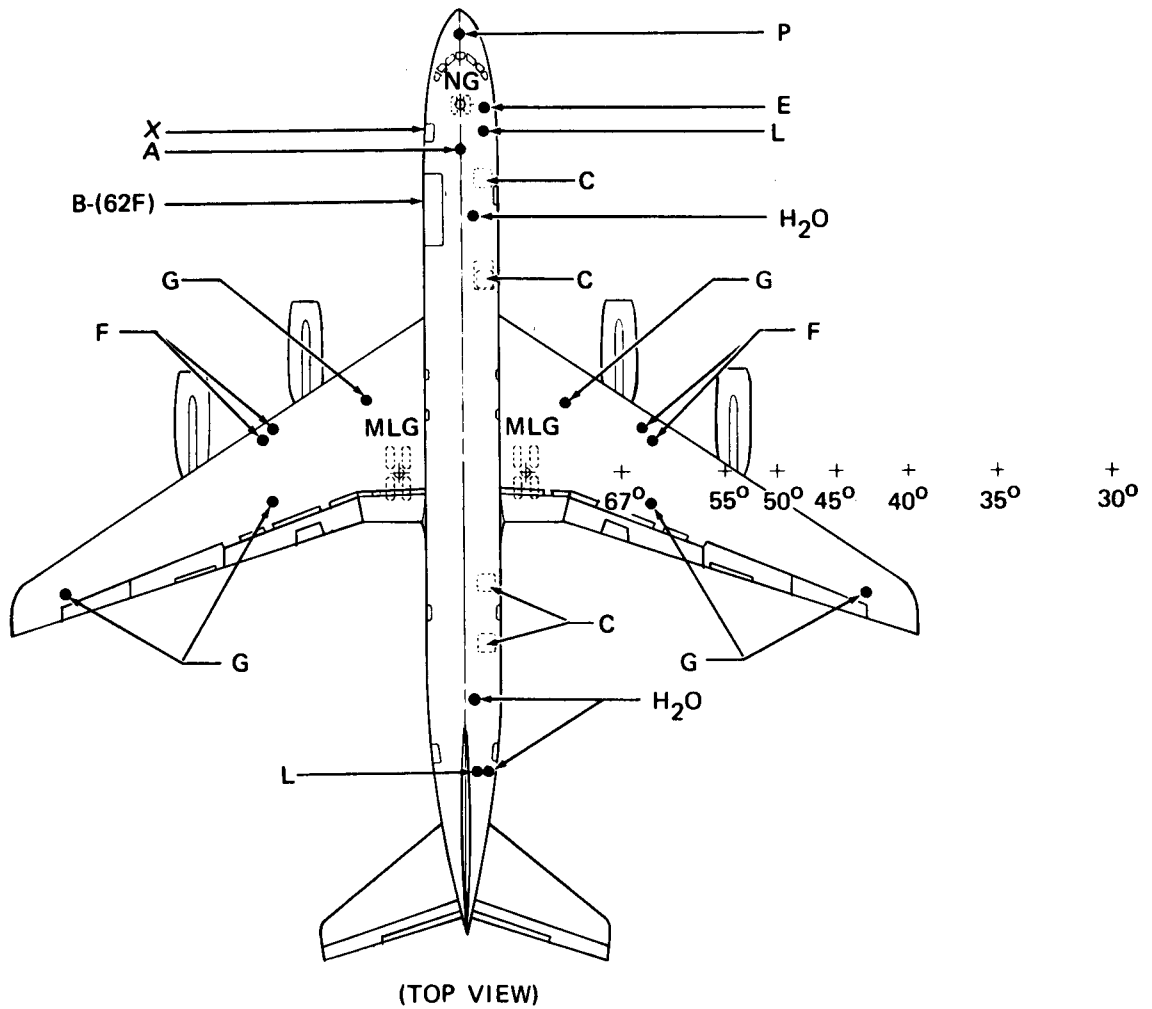
- A. PRECONDITIONED AIR
- B. MAIN CARGO DOOR
- C. FWD, AFT CARGO DOORS
- E. ELECTRICAL - GROUND POWER
- F. PRESSURE REFUELING POINTS (4)
- G. GRAVITY REFUELING POINTS (6)
- H<sub>2</sub>O POTABLE WATER (2)

- L. LAVATORY
- MLG MAIN LANDING GEAR
- NG NOSE LANDING GEAR
- P. PNEUMATIC POWER
- X. PASSENGER DOOR

TURNING RADIUS POINTS, 67°, 55°, 50°, 45°, 40°, 35°, 30°

9.0 SCALE DRAWINGS  
 MODEL DC-8-61, -61F, -63, -63F, -71, -71F, -73, -73F

SCALE: 1 IN. = 32 FT

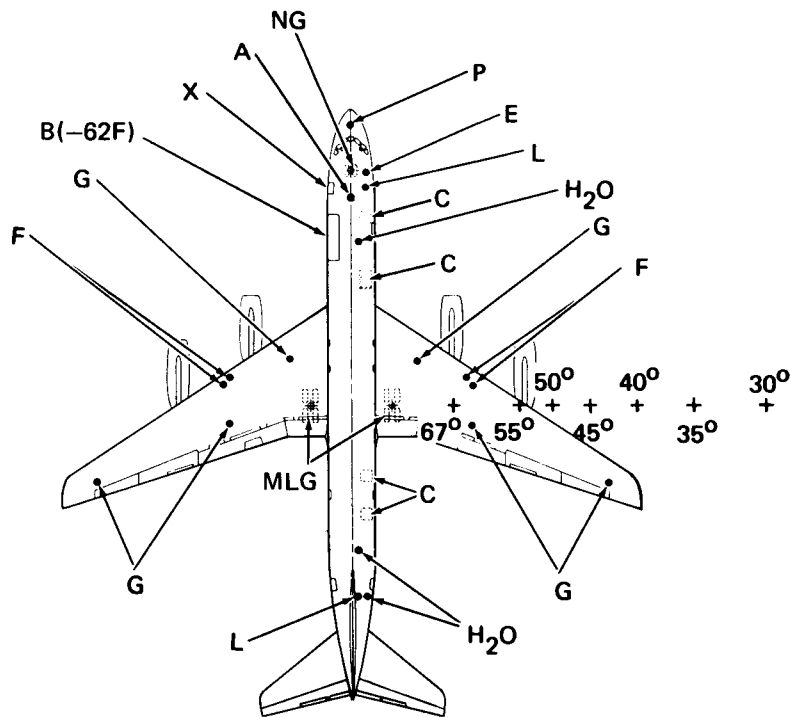


LEGEND

- |                  |                               |     |                   |
|------------------|-------------------------------|-----|-------------------|
| A.               | PRECONDITIONED AIR            | L.  | LAVATORY          |
| B.               | MAIN CARGO DOOR               | MLG | MAIN LANDING GEAR |
| C.               | FWD, AFT CARGO DOORS          | NG  | NOSE LANDING GEAR |
| E.               | ELECTRICAL – GROUND POWER     | P.  | PNEUMATIC POWER   |
| F.               | PRESSURE REFUELING POINTS (4) | X.  | PASSENGER DOOR    |
| G.               | GRAVITY REFUELING POINTS (6)  |     |                   |
| H <sub>2</sub> O | POTABLE WATER (2)             |     |                   |
- TURNING RADIUS POINTS, 67°, 55°, 50°, 45°, 40°, 35°, 30°

9.0 SCALE DRAWINGS  
MODEL DC-8-62, -62F, -72, -72F

SCALE: 1 IN. = 50 FT



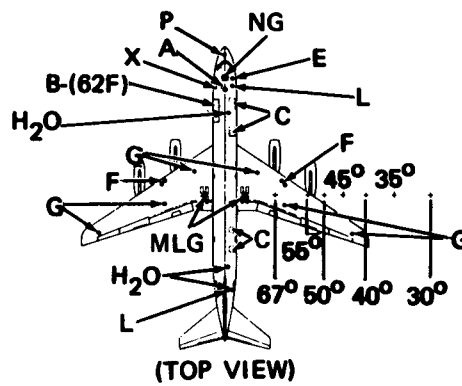
(TOP VIEW)

LEGEND

- |                  |                               |     |  |
|------------------|-------------------------------|-----|--|
| A.               | PRECONDITIONED AIR            | L.  | LAVATORY   |
| B.               | MAIN CARGO DOOR               | MLG | MAIN LANDING GEAR  |
| C.               | FWD, AFT CARGO DOORS          | NG  | NOSE LANDING GEAR  |
| E.               | ELECTRICAL – GROUND POWER     | P.  | PNEUMATIC POWER  |
| F.               | PRESSURE REFUELING POINTS (4) | X.  | PASSENGER DOOR   |
| G.               | GRAVITY REFUELING POINTS (6)  |     |  |
| H <sub>2</sub> O | POTABLE WATER (2)             |     |  |
|                  |                               |     | TURNING RADIUS POINTS, 67°, 55°, 50°, 45°, 40°, 35°, 30° |

9.0 SCALE DRAWINGS  
MODEL DC-8-62, -62F, -72, -72F

SCALE: 1 IN. = 100 FT



LEGEND

- |                  |                               |     |  |
|------------------|-------------------------------|-----|--|
| A.               | PRECONDITIONED AIR            | L.  | LAVATORY   |
| B.               | MAIN CARGO DOOR               | MLG | MAIN LANDING GEAR  |
| C.               | FWD, AFT CARGO DOORS          | NG  | NOSE LANDING GEAR  |
| E.               | ELECTRICAL - GROUND POWER     | P.  | PNEUMATIC POWER  |
| F.               | PRESSURE REFUELING POINTS (4) | X.  | PASSENGER DOOR   |
| G.               | GRAVITY REFUELING POINTS (6)  |     |  |
| H <sub>2</sub> O | POTABLE WATER (2)             |     |  |
|                  |                               |     | TURNING RADIUS POINTS, 67°, 55°, 50°, 45°, 40°, 35°, 30° |

9.0 SCALE DRAWINGS  
MODEL DC-8-62, -62F, -72, -72F