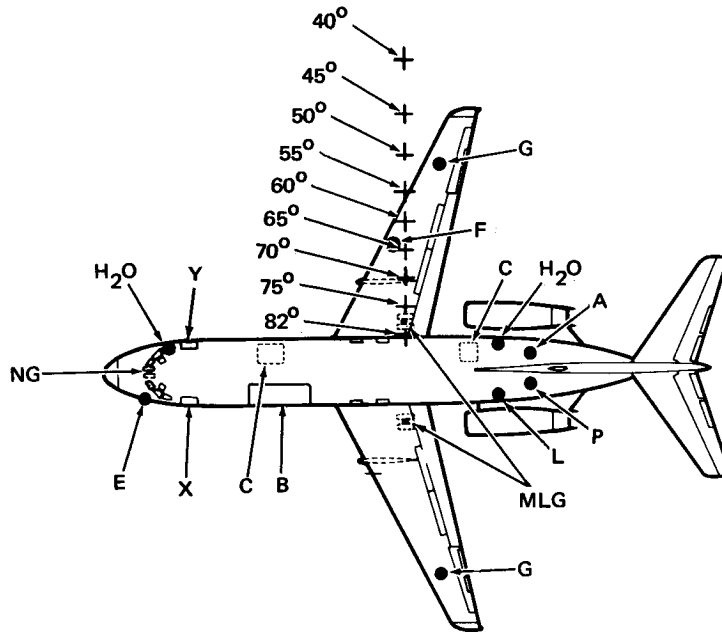


## 9.0 SCALE DRAWINGS

SCALE: 1 IN. = 32 FT



LEGEND

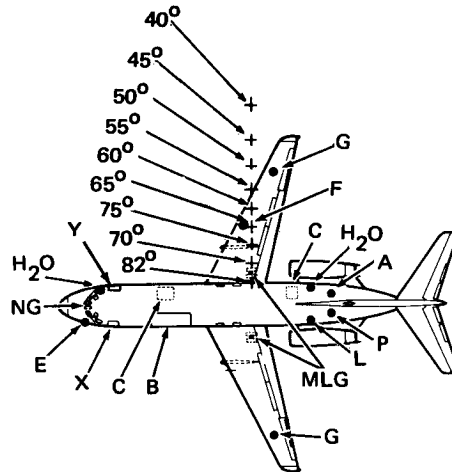
- |                                    |                       |
|------------------------------------|-----------------------|
| A. PRECONDITIONED AIR              | L. LAVATORY (1)       |
| B. MAIN CARGO DOOR                 | MLG MAIN LANDING GEAR |
| C. FWD, AFT CARGO DOORS            | NG NOSE LANDING GEAR  |
| E. ELECTRICAL – GROUND POWER       | P. PNEUMATIC POWER    |
| F. PRESSURE REFUELING POINTS (1)   | X. PASSENGER DOOR     |
| G. GRAVITY REFUELING POINTS (2)    | Y. SERVICE DOOR       |
| H <sub>2</sub> O POTABLE WATER (2) |                       |

TURNING RADIUS POINTS, +

82°, 75°, 70°, 65°, 60°, 55°, 50°, 45°, 40°

9.0 SCALE DRAWINGS  
DC-9-15

SCALE: 1 IN. = 50 FT



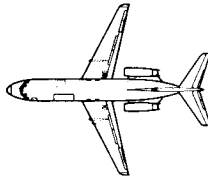
LEGEND

- |                                    |                       |
|------------------------------------|-----------------------|
| A. PRECONDITIONED AIR              | L. LAVATORY (1)       |
| B. MAIN CARGO DOOR                 | MLG MAIN LANDING GEAR |
| C. FWD, AFT CARGO DOORS            | NG NOSE LANDING GEAR  |
| E. ELECTRICAL – GROUND POWER       | P. PNEUMATIC POWER    |
| F. PRESSURE REFUELING POINTS (1)   | X. PASSENGER DOOR     |
| G. GRAVITY REFUELING POINTS (2)    | Y. SERVICE DOOR       |
| H <sub>2</sub> O POTABLE WATER (2) |                       |

TURNING RADIUS POINTS, +  
82°, 75°, 70°, 65°, 60°, 55°, 50°, 45°, 40°

9.0 SCALE DRAWINGS  
DC-9-15

SCALE: 1 IN. = 100 FT.\*



\*SEE OTHER PAGES IN THIS SECTION FOR SERVICE POINT LOCATIONS.

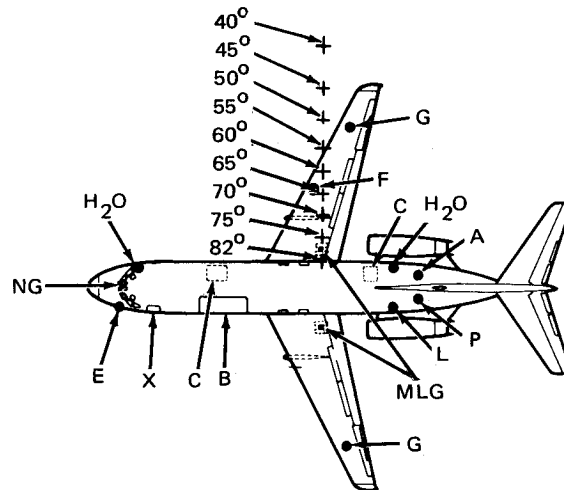
**LEGEND**

- |                                    |                       |
|------------------------------------|-----------------------|
| A. PRECONDITIONED AIR              | L. LAVATORY (1)       |
| B. MAIN CARGO DOOR                 | MLG MAIN LANDING GEAR |
| C. FWD, AFT CARGO DOORS            | NG NOSE LANDING GEAR  |
| E. ELECTRICAL – GROUND POWER       | P. PNEUMATIC POWER    |
| F. PRESSURE REFUELING POINTS (1)   | X. PASSENGER DOOR     |
| G. GRAVITY REFUELING POINTS (2)    |                       |
| H <sub>2</sub> O POTABLE WATER (2) |                       |

TURNING RADIUS POINTS, +  
82°, 75°, 70°, 65°, 60°, 55°, 50°, 45°, 40°

**9.0 SCALE DRAWINGS  
DC-9-15**

SCALE: 1 TO 500



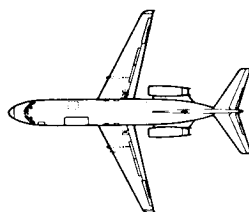
**LEGEND**

- |                                    |                       |
|------------------------------------|-----------------------|
| A. PRECONDITIONED AIR              | L. LAVATORY (1)       |
| B. MAIN CARGO DOOR                 | MLG MAIN LANDING GEAR |
| C. FWD, AFT CARGO DOORS            | NG NOSE LANDING GEAR  |
| E. ELECTRICAL - GROUND POWER       | P. PNEUMATIC POWER    |
| F. PRESSURE REFUELING POINTS (1)   | X. PASSENGER DOOR     |
| G. GRAVITY REFUELING POINTS (2)    |                       |
| H <sub>2</sub> O POTABLE WATER (2) |                       |

TURNING RADIUS POINTS, +  
82°, 75°, 70°, 65°, 60°, 55°, 50°, 45°, 40°

**9.0 SCALE DRAWINGS  
DC-9-15**

SCALE: 1 TO 1000



\*SEE OTHER PAGES IN THIS SECTION FOR SERVICE POINT LOCATIONS.

#### LEGEND

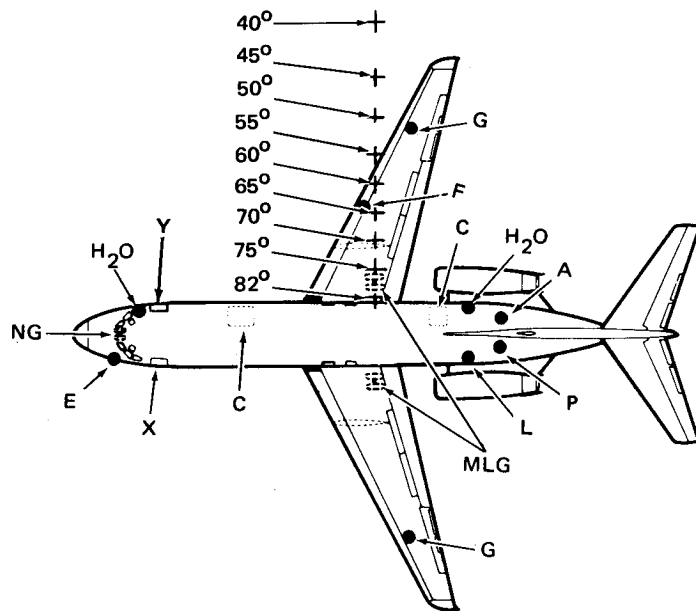
- |                  |                               |     |                   |
|------------------|-------------------------------|-----|-------------------|
| A.               | PRECONDITIONED AIR            | L.  | LAVATORY (1)      |
| B.               | MAIN CARGO DOOR               | MLG | MAIN LANDING GEAR |
| C.               | FWD, AFT CARGO DOORS          | NG  | NOSE LANDING GEAR |
| E.               | ELECTRICAL – GROUND POWER     | P.  | PNEUMATIC POWER   |
| F.               | PRESSURE REFUELING POINTS (1) | X.  | PASSENGER DOOR    |
| G.               | GRAVITY REFUELING POINTS (2)  |     |                   |
| H <sub>2</sub> O | POTABLE WATER (2)             |     |                   |

TURNING RADIUS POINTS, +

82°, 75°, 70°, 65°, 60°, 55°, 50°, 45°, 40°

## 9.0 SCALE DRAWINGS DC-9-15

SCALE: 1 IN. = 32 FT



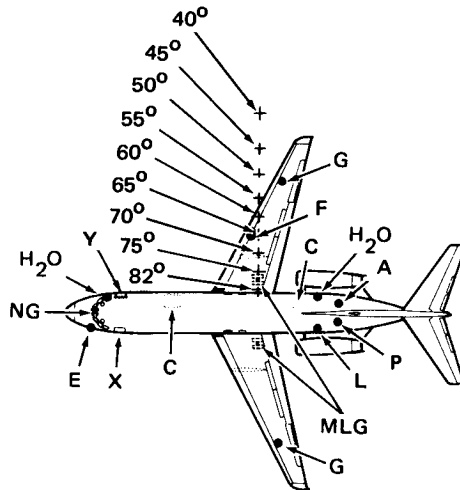
LEGEND

- |                  |                               |     |                   |
|------------------|-------------------------------|-----|-------------------|
| A.               | PRECONDITIONED AIR            | L.  | LAVATORY (1)      |
| B.               | MAIN CARGO DOOR               | MLG | MAIN LANDING GEAR |
| C.               | FWD, AFT CARGO DOORS          | NG  | NOSE LANDING GEAR |
| E.               | ELECTRICAL - GROUND POWER     | P.  | PNEUMATIC POWER   |
| F.               | PRESSURE REFUELING POINTS (1) | X.  | PASSENGER DOOR    |
| G.               | GRAVITY REFUELING POINTS (2)  | Y.  | SERVICE DOOR      |
| H <sub>2</sub> O | POTABLE WATER (2)             |     |                   |

TURNING RADIUS POINTS,+  
82°, 75°, 70°, 65°, 60°, 55°, 50°, 45°, 40°

## 9.0 SCALE DRAWINGS DC-9-21

SCALE: 1 IN. = 50 FT



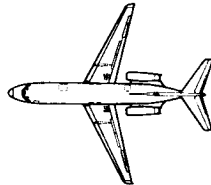
LEGEND

- |                                    |                       |
|------------------------------------|-----------------------|
| A. PRECONDITIONED AIR              | L. LAVATORY (1)       |
| B. MAIN CARGO DOOR                 | MLG MAIN LANDING GEAR |
| C. FWD, AFT CARGO DOORS            | NG NOSE LANDING GEAR  |
| E. ELECTRICAL – GROUND POWER       | P. PNEUMATIC POWER    |
| F. PRESSURE REFUELING POINTS (1)   | X. PASSENGER DOOR     |
| G. GRAVITY REFUELING POINTS (2)    | Y. SERVICE DOOR       |
| H <sub>2</sub> O POTABLE WATER (2) |                       |

TURNING RADIUS POINTS, +  
82°, 75°, 70°, 65°, 60°, 55°, 50°, 45°, 40°

## 9.0 SCALE DRAWINGS DC-9-21

SCALE: 1 IN. = 100 FT.\*



\*SEE OTHER PAGES IN THIS SECTION FOR SERVICE POINT LOCATIONS.

#### LEGEND

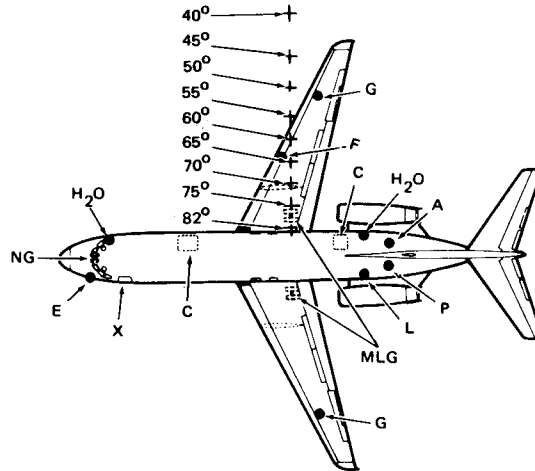
- |    |                               |     |                   |
|----|-------------------------------|-----|-------------------|
| A. | PRECONDITIONED AIR            | L.  | LAVATORY (1)      |
| B. | MAIN CARGO DOOR               | MLG | MAIN LANDING GEAR |
| C. | FWD, AFT CARGO DOORS          | NG  | NOSE LANDING GEAR |
| E. | ELECTRICAL – GROUND POWER     | P.  | PNEUMATIC POWER   |
| F. | PRESSURE REFUELING POINTS (1) | X.  | PASSENGER DOOR    |
| G. | GRAVITY REFUELING POINTS (2)  |     |                   |

H<sub>2</sub>O POTABLE WATER (2)

TURNING RADIUS POINTS, +  
82°, 75°, 70°, 65°, 60°, 55°, 50°, 45°, 40°

## 9.0 SCALE DRAWINGS DC-9-21

SCALE: 1 TO 500



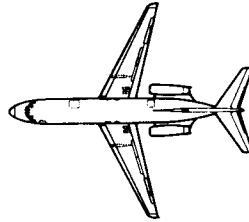
LEGEND

- |                  |                               |     |                   |
|------------------|-------------------------------|-----|-------------------|
| A.               | PRECONDITIONED AIR            | L.  | LAVATORY (1)      |
| B.               | MAIN CARGO DOOR               | MLG | MAIN LANDING GEAR |
| C.               | FWD, AFT CARGO DOORS          | NG  | NOSE LANDING GEAR |
| E.               | ELECTRICAL – GROUND POWER     | P.  | PNEUMATIC POWER   |
| F.               | PRESSURE REFUELING POINTS (1) | X.  | PASSENGER DOOR    |
| G.               | GRAVITY REFUELING POINTS (2)  |     |                   |
| H <sub>2</sub> O | POTABLE WATER (2)             |     |                   |

TURNING RADIUS POINTS, +  
82°, 75°, 70°, 65°, 60°, 55°, 50°, 45°, 40°

## 9.0 SCALE DRAWINGS DC-9-21

SCALE: 1 TO 1000



\*SEE OTHER PAGES IN THIS SECTION FOR SERVICE POINT LOCATIONS.

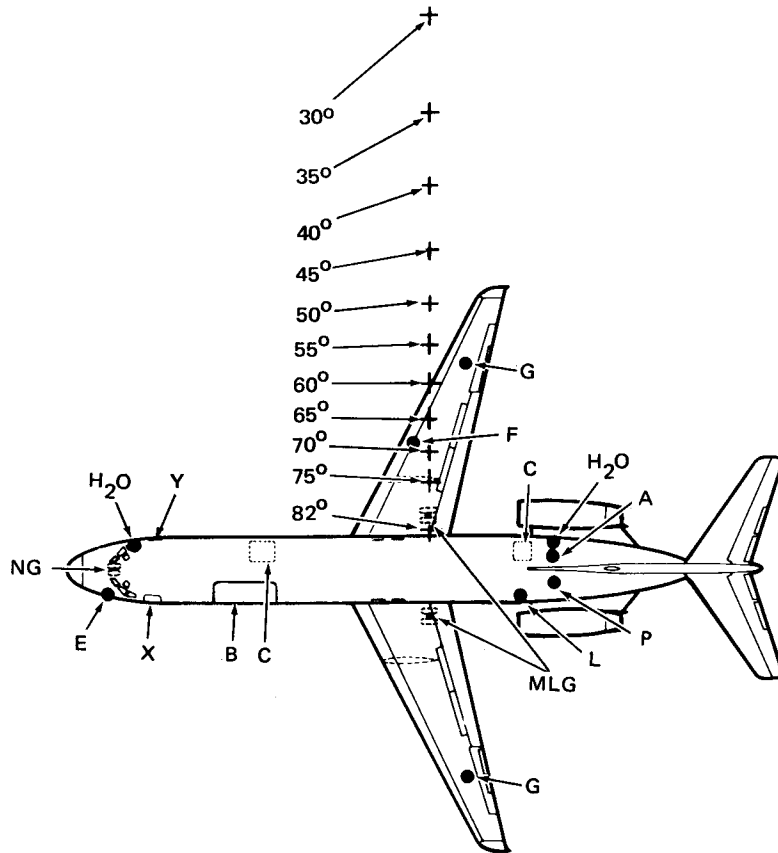
LEGEND

- |                  |                               |     |                   |
|------------------|-------------------------------|-----|-------------------|
| A.               | PRECONDITIONED AIR            | L.  | LAVATORY (1)      |
| B.               | MAIN CARGO DOOR               | MLG | MAIN LANDING GEAR |
| C.               | FWD, AFT CARGO DOORS          | NG  | NOSE LANDING GEAR |
| E.               | ELECTRICAL – GROUND POWER     | P.  | PNEUMATIC POWER   |
| F.               | PRESSURE REFUELING POINTS (1) | X.  | PASSENGER DOOR    |
| G.               | GRAVITY REFUELING POINTS (2)  |     |                   |
| H <sub>2</sub> O | POTABLE WATER (2)             |     |                   |

TURNING RADIUS POINTS, +  
82°, 75°, 70°, 65°, 60°, 55°, 50°, 45°, 40°

9.0 SCALE DRAWINGS  
DC-9-21

SCALE: 1 IN. = 32 FT



LEGEND

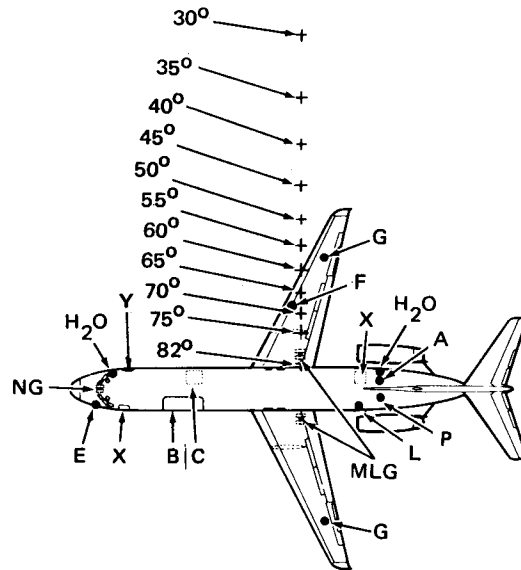
- |                  |                               |     |                   |
|------------------|-------------------------------|-----|-------------------|
| A.               | PRECONDITIONED AIR            | L.  | LAVATORY (1)      |
| B.               | MAIN CARGO DOOR               | MLG | MAIN LANDING GEAR |
| C.               | FWD, AFT CARGO DOORS          | NG  | NOSE LANDING GEAR |
| E.               | ELECTRICAL – GROUND POWER     | P.  | PNEUMATIC POWER   |
| F.               | PRESSURE REFUELING POINTS (1) | X.  | PASSENGER DOOR    |
| G.               | GRAVITY REFUELING POINTS (2)  | Y.  | SERVICE DOOR      |
| H <sub>2</sub> O | POTABLE WATER (2)             |     |                   |

TURNING RADIUS POINTS, +  
82°, 75°, 70°, 65°, 60°, 55°, 50°, 45°, 40°, 35°, 30°

## 9.0 SCALE DRAWINGS

### DC-9-32

SCALE: 1 IN. = 50 FT



LEGEND

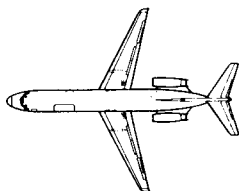
- |    |                               |                  |                   |
|----|-------------------------------|------------------|-------------------|
| A. | PRECONDITIONED AIR            | H <sub>2</sub> O | POTABLE WATER (2) |
| B. | MAIN CARGO DOOR               | L.               | LAVATORY (1)      |
| C. | FWD, AFT CARGO DOORS          | MLG              | MAIN LANDING GEAR |
| E. | ELECTRICAL – GROUND POWER     | NG               | NOSE LANDING GEAR |
| F. | PRESSURE REFUELING POINTS (1) | P.               | PNEUMATIC POWER   |
| G. | GRAVITY REFUELING POINTS (2)  | X.               | PASSENGER DOOR    |
|    |                               | Y.               | SERVICE DOOR      |

TURNING RADIUS POINTS, +

82°, 75°, 70°, 65°, 60°, 55°, 50°, 45°, 40°, 35°, 30°

## 9.0 SCALE DRAWINGS DC-9-32

SCALE: 1 IN. = 100 FT.\*



\*SEE OTHER PAGES IN THIS SECTION FOR SERVICE POINT LOCATIONS.

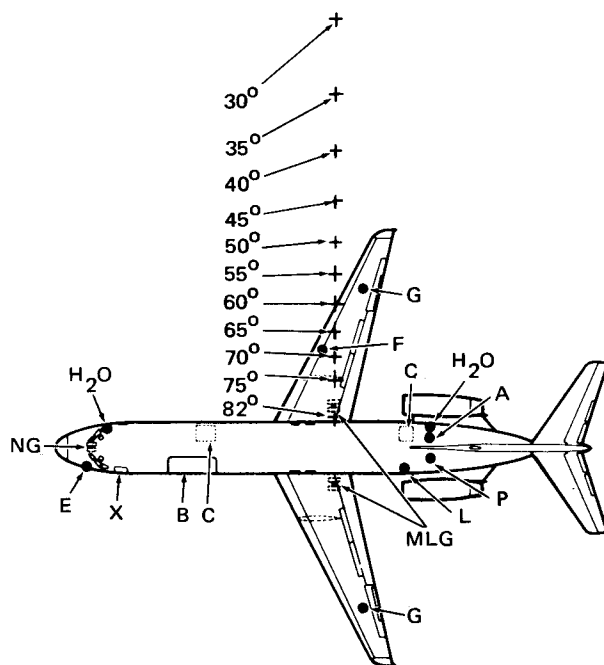
#### LEGEND

- |    |                               |     |                   |
|----|-------------------------------|-----|-------------------|
| A. | PRECONDITIONED AIR            | L.  | LAVATORY (1)      |
| B. | MAIN CARGO DOOR               | MLG | MAIN LANDING GEAR |
| C. | FWD, AFT CARGO DOORS          | NG  | NOSE LANDING GEAR |
| E. | ELECTRICAL – GROUND POWER     | P.  | PNEUMATIC POWER   |
| F. | PRESSURE REFUELING POINTS (1) | X.  | PASSENGER DOOR    |
| G. | GRAVITY REFUELING POINTS (2)  |     |                   |
- H<sub>2</sub>O POTABLE WATER (2)

TURNING RADIUS POINTS, +  
82°, 75°, 70°, 65°, 60°, 55°, 50°, 45°, 40°, 35°, 30°

## 9.0 SCALE DRAWINGS DC-9-32

SCALE: 1 TO 500



LEGEND

- |    |                               |                  |                   |
|----|-------------------------------|------------------|-------------------|
| A. | PRECONDITIONED AIR            | H <sub>2</sub> O | POTABLE WATER (2) |
| B. | MAIN CARGO DOOR               | L.               | LAVATORY (1)      |
| C. | FWD, AFT CARGO DOORS          | MLG              | MAIN LANDING GEAR |
| E. | ELECTRICAL – GROUND POWER     | NG               | NOSE LANDING GEAR |
| F. | PRESSURE REFUELING POINTS (1) | P.               | PNEUMATIC POWER   |
| G. | GRAVITY REFUELING POINTS (2)  | X.               | PASSENGER DOOR    |

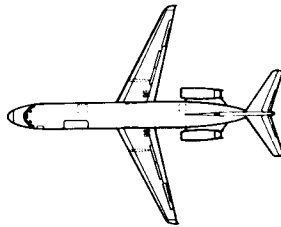
TURNING RADIUS POINTS, +

82°, 75°, 70°, 65°, 60°, 55°, 50°, 45°, 40°, 35°, 30°

## 9.0 SCALE DRAWINGS

### DC-9-32

SCALE: 1 TO 1000



\*SEE OTHER PAGES IN THIS SECTION FOR SERVICE POINT LOCATIONS.

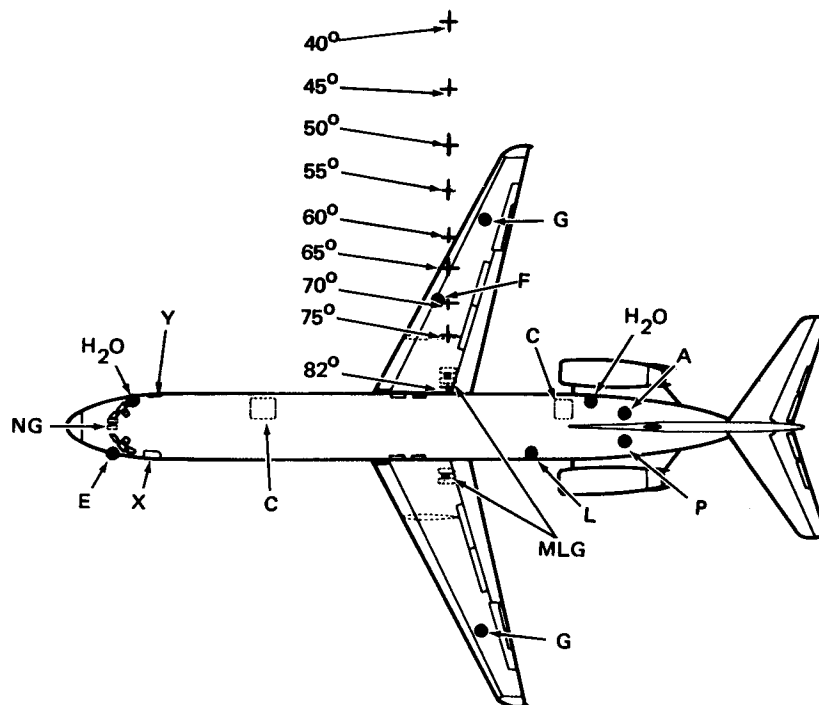
**LEGEND**

- |                                    |                       |
|------------------------------------|-----------------------|
| A. PRECONDITIONED AIR              | L. LAVATORY (1)       |
| B. MAIN CARGO DOOR                 | MLG MAIN LANDING GEAR |
| C. FWD, AFT CARGO DOORS            | NG NOSE LANDING GEAR  |
| E. ELECTRICAL – GROUND POWER       | P. PNEUMATIC POWER    |
| F. PRESSURE REFUELING POINTS (1)   | X. PASSENGER DOOR     |
| G. GRAVITY REFUELING POINTS (2)    |                       |
| H <sub>2</sub> O POTABLE WATER (2) |                       |

TURNING RADIUS POINTS, +  
82°, 75°, 70°, 65°, 60°, 55°, 50°, 45°, 40°, 35°, 30°

**9.0 SCALE DRAWINGS  
DC-9-32**

SCALE: 1 IN. = 32 FT



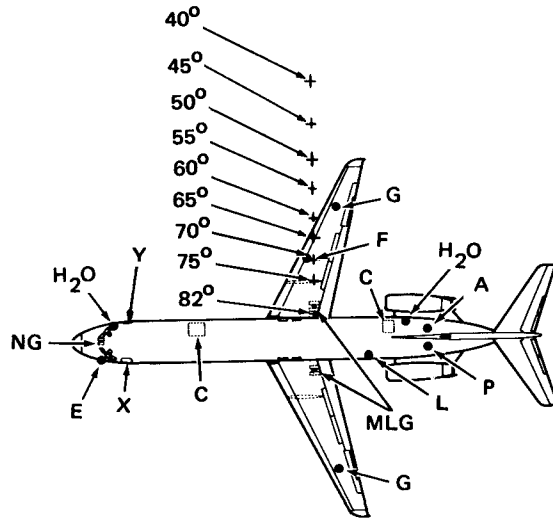
LEGEND

- |                  |                               |     |                   |
|------------------|-------------------------------|-----|-------------------|
| A.               | PRECONDITIONED AIR            | L.  | LAVATORY (1)      |
| B.               | MAIN CARGO DOOR (NONE)        | MLG | MAIN LANDING GEAR |
| C.               | FWD, AFT CARGO DOORS          | NG  | NOSE LANDING GEAR |
| E.               | ELECTRICAL – GROUND POWER     | P.  | PNEUMATIC POWER   |
| F.               | PRESSURE REFUELING POINTS (1) | X.  | PASSENGER DOOR    |
| G.               | GRAVITY REFUELING POINTS (2)  | Y.  | SERVICE DOOR      |
| H <sub>2</sub> O | POTABLE WATER (2)             |     |                   |

TURNING RADIUS POINTS, +  
82°, 75°, 70°, 65°, 60°, 55°, 50°, 45°, 40°

9.0 SCALE DRAWINGS  
DC-9-41

SCALE: 1 IN. = 50 FT



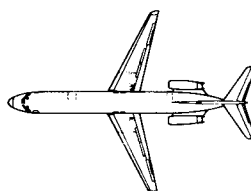
LEGEND

- |                  |                               |     |                   |
|------------------|-------------------------------|-----|-------------------|
| A.               | PRECONDITIONED AIR            | L.  | LAVATORY (1)      |
| B.               | MAIN CARGO DOOR (NONE)        | MLG | MAIN LANDING GEAR |
| C.               | FWD, AFT CARGO DOORS          | NG  | NOSE LANDING GEAR |
| E.               | ELECTRICAL – GROUND POWER     | P.  | PNEUMATIC POWER   |
| F.               | PRESSURE REFUELING POINTS (1) | X.  | PASSENGER DOOR    |
| G.               | GRAVITY REFUELING POINTS (2)  | Y.  | SERVICE DOOR      |
| H <sub>2</sub> O | POTABLE WATER (2)             |     |                   |

TURNING RADIUS POINTS, +  
82°, 75°, 70°, 65°, 60°, 55°, 50°, 45°, 40°

## 9.0 SCALE DRAWINGS DC-9-41

SCALE: 1 IN. = 100 FT.\*



\*SEE OTHER PAGES IN THIS SECTION FOR SERVICE POINT LOCATIONS.

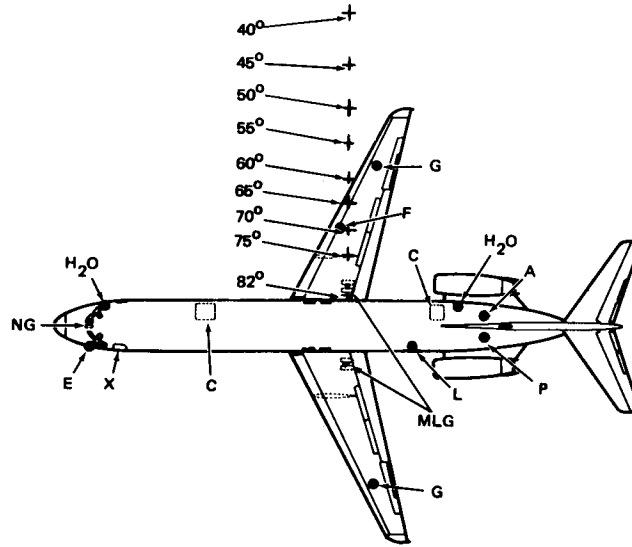
#### LEGEND

A.	PRECONDITIONED AIR	L.	LAVATORY (1)
B.	MAIN CARGO DOOR (NONE)	MLG	MAIN LANDING GEAR
C.	FWD, AFT CARGO DOORS	NG	NOSE LANDING GEAR
E.	ELECTRICAL – GROUND POWER	P.	PNEUMATIC POWER
F.	PRESSURE REFUELING POINTS (1)	X.	PASSENGER DOOR
G.	GRAVITY REFUELING POINTS (2)		
	H <sub>2</sub> O POTABLE WATER (2)		

TURNING RADIUS POINTS, +  
82°, 75°, 70°, 65°, 60°, 55°, 50°, 45°, 40°

## 9.0 SCALE DRAWINGS DC-9-41

SCALE: 1 TO 500



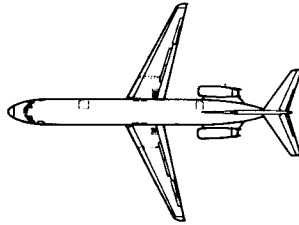
LEGEND

- |                                    |                       |
|------------------------------------|-----------------------|
| A. PRECONDITIONED AIR              | L. LAVATORY (1)       |
| B. MAIN CARGO DOOR (NONE)          | MLG MAIN LANDING GEAR |
| C. FWD, AFT CARGO DOORS            | NG NOSE LANDING GEAR  |
| E. ELECTRICAL – GROUND POWER       | P. PNEUMATIC POWER    |
| F. PRESSURE REFUELING POINTS (1)   | X. PASSENGER DOOR     |
| G. GRAVITY REFUELING POINTS (2)    |                       |
| H <sub>2</sub> O POTABLE WATER (2) |                       |

TURNING RADIUS POINTS, +  
82°, 75°, 70°, 65°, 60°, 55°, 50°, 45°, 40°

9.0 SCALE DRAWINGS  
DC-9-41

SCALE: 1 TO 1000



\*SEE OTHER PAGES IN THIS SECTION FOR SERVICE POINT LOCATIONS.

LEGEND

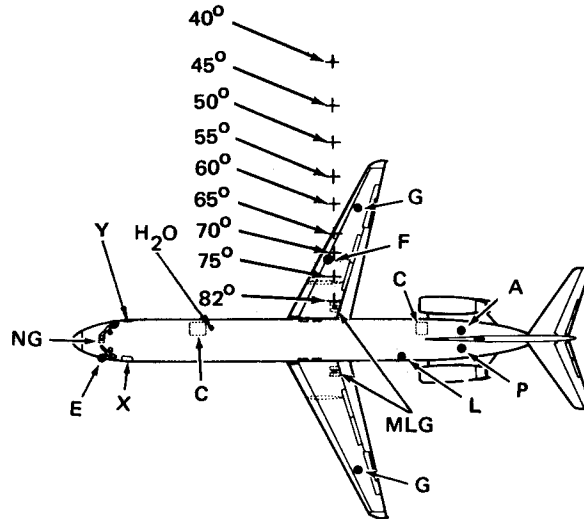
A.	PRECONDITIONED AIR	L.	LAVATORY (1)
B.	MAIN CARGO DOOR (NONE)	MLG	MAIN LANDING GEAR
C.	FWD, AFT CARGO DOORS	NG	NOSE LANDING GEAR
E.	ELECTRICAL – GROUND POWER	P.	PNEUMATIC POWER
F.	PRESSURE REFUELING POINTS (1)	X.	PASSENGER DOOR
G.	GRAVITY REFUELING POINTS (2)		
	H <sub>2</sub> O POTABLE WATER (2)		

TURNING RADIUS POINTS, +  
82°, 75°, 70°, 65°, 60°, 55°, 50°, 45°, 40°

9.0 SCALE DRAWINGS  
DC-9-41



SCALE: 1 IN. = 50 FT



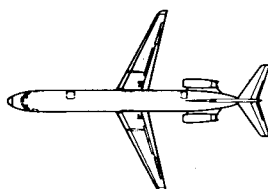
LEGEND

- |                                  |                       |
|----------------------------------|-----------------------|
| A. PRECONDITIONED AIR            | L. LAVATORY (1)       |
| B. MAIN CARGO DOOR (NONE)        | MLG MAIN LANDING GEAR |
| C. FWD, AFT CARGO DOORS          | NG NOSE LANDING GEAR  |
| E. ELECTRICAL - GROUND POWER     | P. PNEUMATIC POWER    |
| F. PRESSURE REFUELING POINTS (1) | X. PASSENGER DOOR     |
| G. GRAVITY REFUELING POINTS (2)  | Y. SERVICE DOOR       |
| H <sub>2</sub> O POTABLE WATER   |                       |

TURNING RADIUS POINTS, +  
82°, 75°, 70°, 65°, 60°, 55°, 50°, 45°, 40°

9.0 SCALE DRAWINGS  
DC-9-51

SCALE: 1 IN. = 100 FT.



\*SEE OTHER PAGES IN THIS SECTION FOR SERVICE POINT LOCATIONS.

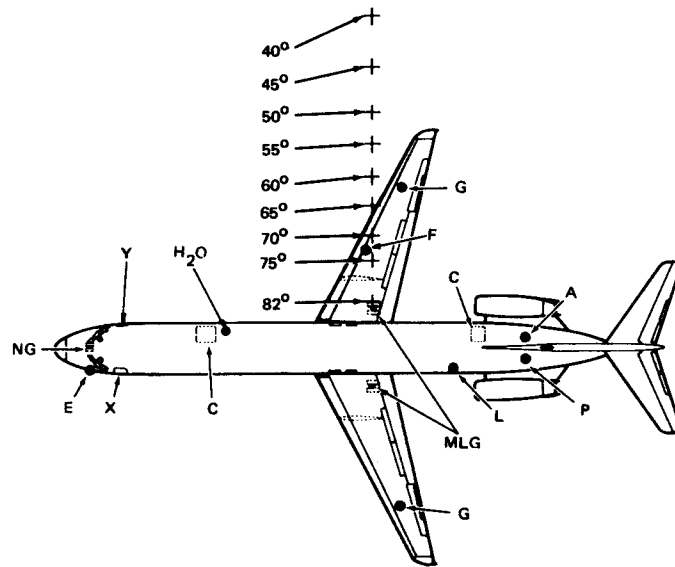
#### LEGEND

- |    |                                    |     |                   |
|----|------------------------------------|-----|-------------------|
| A. | PRECONDITIONED AIR                 | L.  | LAVATORY (1)      |
| B. | MAIN CARGO DOOR (NONE)             | MLG | MAIN LANDING GEAR |
| C. | FWD, AFT CARGO DOORS               | NG  | NOSE LANDING GEAR |
| E. | ELECTRICAL – GROUND POWER          | P.  | PNEUMATIC POWER   |
| F. | PRESSURE REFUELING POINTS (1)      | X.  | PASSENGER DOOR    |
| G. | GRAVITY REFUELING POINTS (2)       |     |                   |
|    | H <sub>2</sub> O POTABLE WATER (2) |     |                   |

TURNING RADIUS POINTS, +  
82°, 75°, 70°, 65°, 60°, 55°, 50°, 45°, 40°

## 9.0 SCALE DRAWINGS DC-9-51

SCALE: 1 TO 500



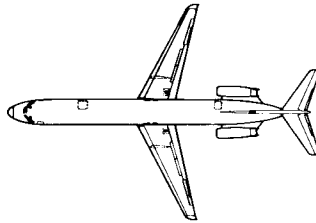
**LEGEND**

- |                  |                               |     |                   |
|------------------|-------------------------------|-----|-------------------|
| A.               | PRECONDITIONED AIR            | L.  | LAVATORY (1)      |
| B.               | MAIN CARGO DOOR (NONE)        | MLG | MAIN LANDING GEAR |
| C.               | FWD, AFT CARGO DOORS          | NG  | NOSE LANDING GEAR |
| E.               | ELECTRICAL – GROUND POWER     | P.  | PNEUMATIC POWER   |
| F.               | PRESSURE REFUELING POINTS (1) | X.  | PASSENGER DOOR    |
| G.               | GRAVITY REFUELING POINTS (2)  |     |                   |
| H <sub>2</sub> O | POTABLE WATER (2)             |     |                   |

TURNING RADIUS POINTS, +  
82°, 75°, 70°, 65°, 60°, 55°, 50°, 45°, 40°

**9.0 SCALE DRAWINGS  
DC-9-51**

SCALE: 1 TO 1000



\*SEE OTHER PAGES IN THIS SECTION FOR SERVICE POINT LOCATIONS.

LEGEND

- |    |                               |     |                   |
|----|-------------------------------|-----|-------------------|
| A. | PRECONDITIONED AIR            | L.  | LAVATORY (1)      |
| B. | MAIN CARGO DOOR (NONE)        | MLG | MAIN LANDING GEAR |
| C. | FWD, AFT CARGO DOORS          | NG  | NOSE LANDING GEAR |
| E. | ELECTRICAL – GROUND POWER     | P.  | PNEUMATIC POWER   |
| F. | PRESSURE REFUELING POINTS (1) | X.  | PASSENGER DOOR    |
| G. | GRAVITY REFUELING POINTS (2)  |     |                   |
- H<sub>2</sub>O POTABLE WATER (2)

TURNING RADIUS POINTS, +  
82°, 75°, 70°, 65°, 60°, 55°, 50°, 45°, 40°

9.0 SCALE DRAWINGS  
DC-9-51