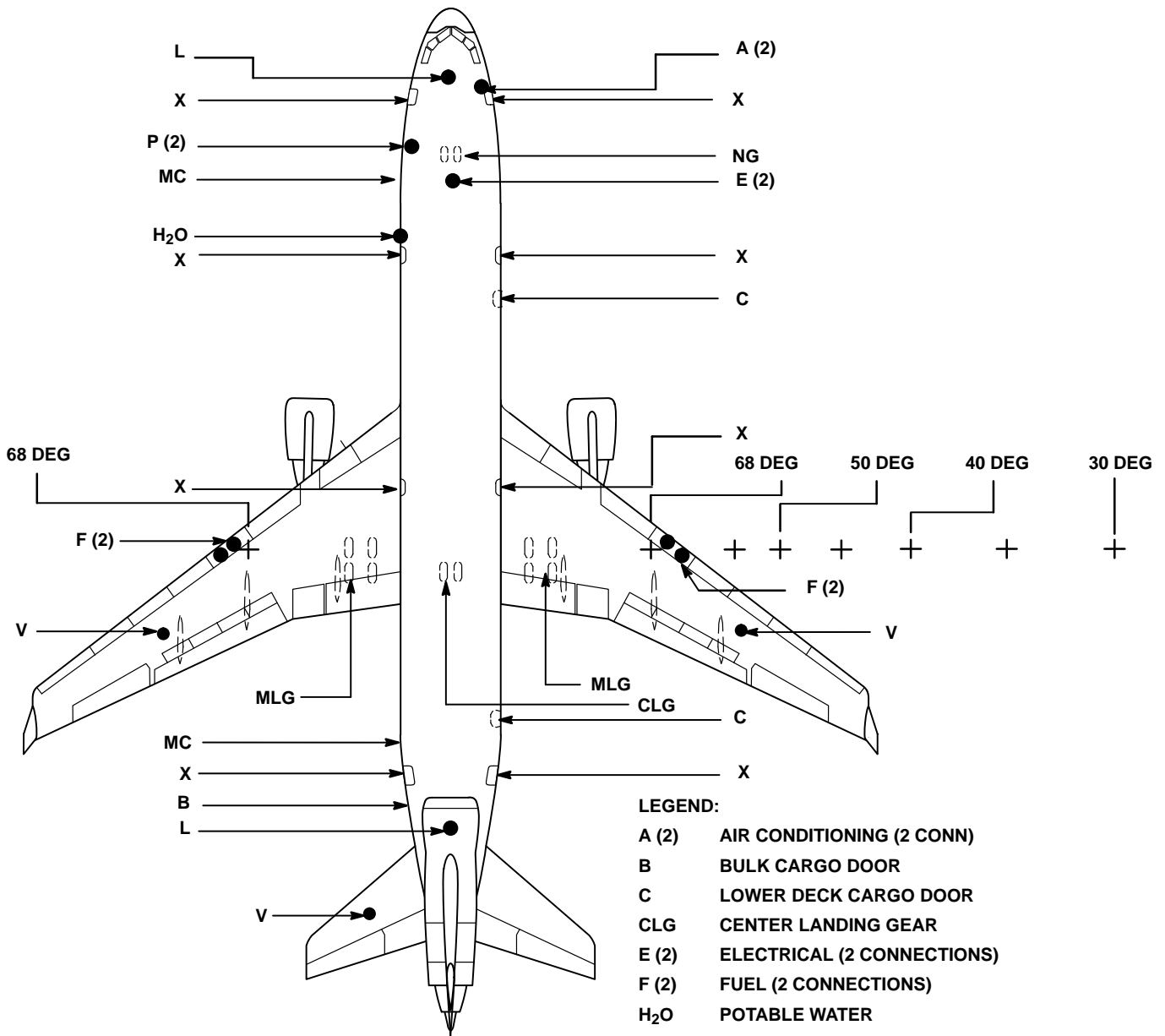


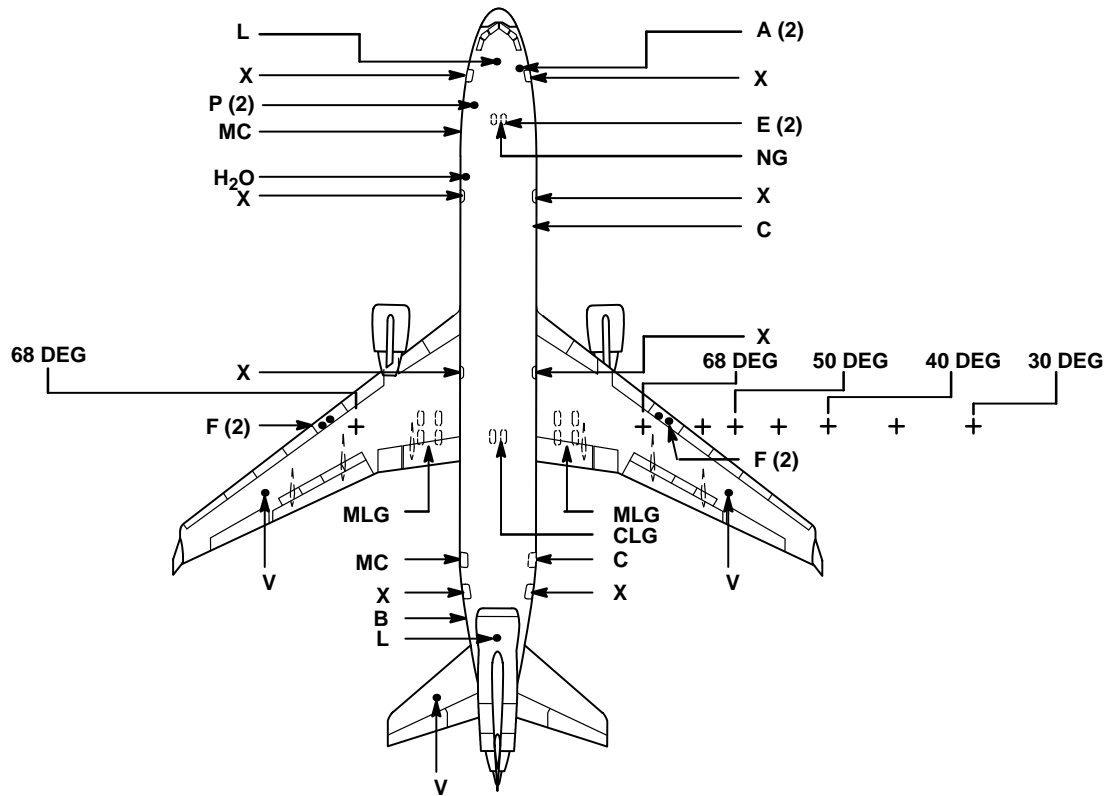
9.0 MD-11 SCALE DRAWINGS



- LEGEND:**
- A (2) AIR CONDITIONING (2 CONN)
 - B BULK CARGO DOOR
 - C LOWER DECK CARGO DOOR
 - CLG CENTER LANDING GEAR
 - E (2) ELECTRICAL (2 CONNECTIONS)
 - F (2) FUEL (2 CONNECTIONS)
 - H₂O POTABLE WATER
 - L LAVATORY
 - MC MAIN DECK CARGO DOOR
 - MLG MAIN LANDING GEAR
 - NG NOSE GEAR
 - P (2) PNEUMATIC (2 CONNECTIONS)
 - V FUEL VENT
 - X PASSENGER DOOR
 - + TURNING RADIUS POINTS:
68 DEG, 60 DEG, 55 DEG, 50 DEG,
45 DEG, 40 DEG, 35 DEG, 30 DEG

9.0 SCALE DRAWINGS
9.1 1 INCH EQUALS 32 FEET
MODEL MD-11

DMC005-81



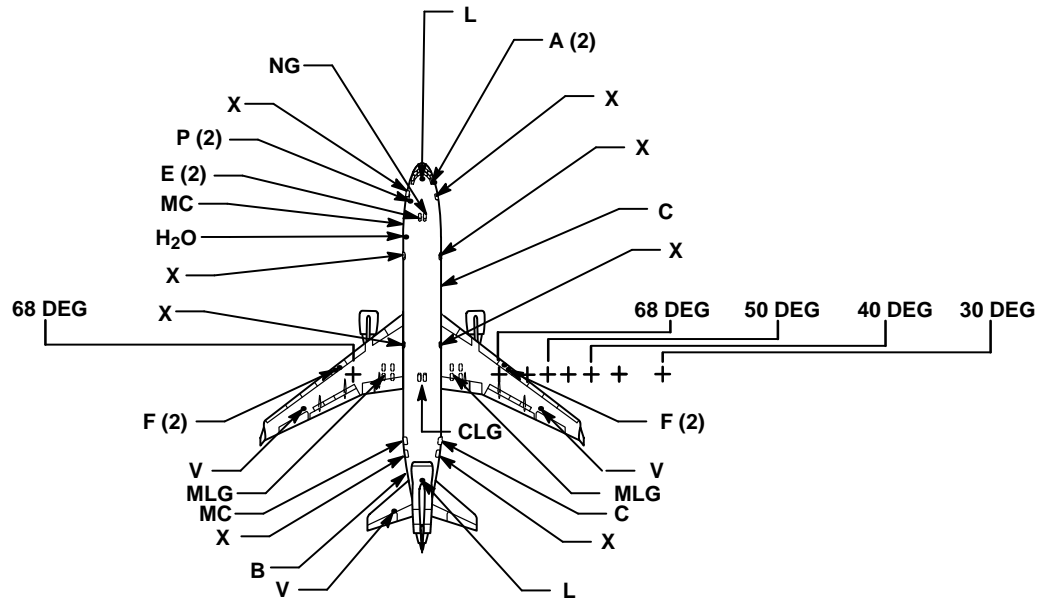
LEGEND:

- A (2) AIR CONDITIONING (2 CONN)
- B BULK CARGO DOOR
- C LOWER DECK CARGO DOOR
- CLG CENTER LANDING GEAR
- E (2) ELECTRICAL (2 CONNECTIONS)
- F (2) FUEL (2 CONNECTIONS)
- H₂O POTABLE WATER
- L LAVATORY

- MC MAIN DECK CARGO DOOR
- MLG MAIN LANDING GEAR
- NG NOSE GEAR
- P (2) PNEUMATIC (2 CONNECTIONS)
- V FUEL VENT
- X PASSENGER DOOR
- + TURNING RADIUS POINTS:
68 DEG, 60 DEG, 55 DEG, 50 DEG,
45 DEG, 40 DEG, 35 DEG, 30 DEG

**9.0 SCALE DRAWINGS
9.2 1 INCH EQUALS 50 FEET
MODEL MD-11**

DMC005-84

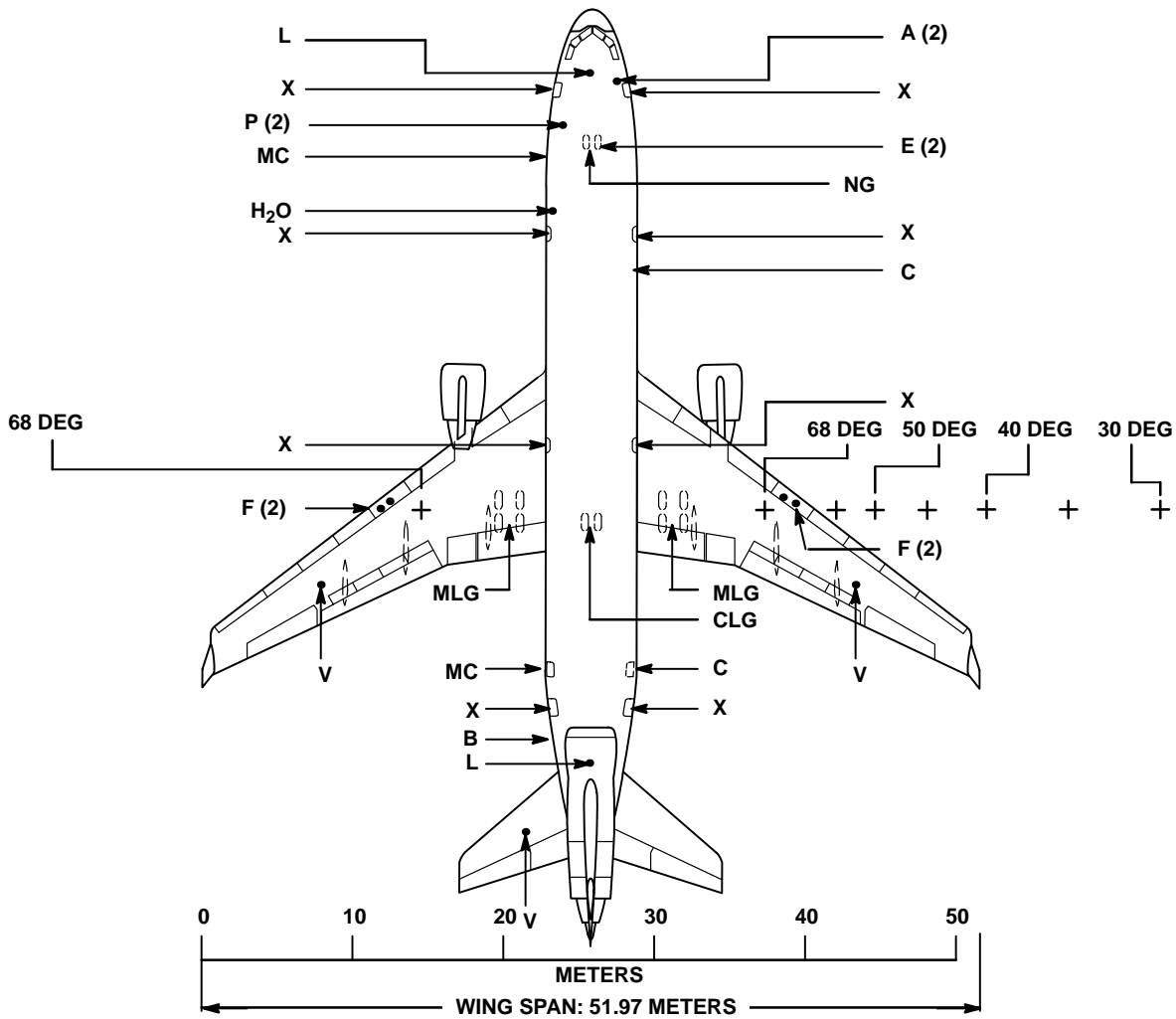


LEGEND:

- | | | | |
|------------------|----------------------------|-------|---------------------------------|
| A (2) | AIR CONDITIONING (2 CONN) | MC | MAIN DECK CARGO DOOR |
| B | BULK CARGO DOOR | MLG | MAIN LANDING GEAR |
| C | LOWER DECK CARGO DOOR | NG | NOSE GEAR |
| CLG | CENTER LANDING GEAR | P (2) | PNEUMATIC (2 CONNECTIONS) |
| E (2) | ELECTRICAL (2 CONNECTIONS) | V | FUEL VENT |
| F (2) | FUEL (2 CONNECTIONS) | X | PASSENGER DOOR |
| H ₂ O | POTABLE WATER | + | TURNING RADIUS POINTS: |
| L | LAVATORY | | 68 DEG, 60 DEG, 55 DEG, 50 DEG, |
| | | | 45 DEG, 40 DEG, 35 DEG, 30 DEG |

**9.0 SCALE DRAWINGS
9.3 1 INCH EQUALS 100 FEET
MODEL MD-11**

DMC005-85

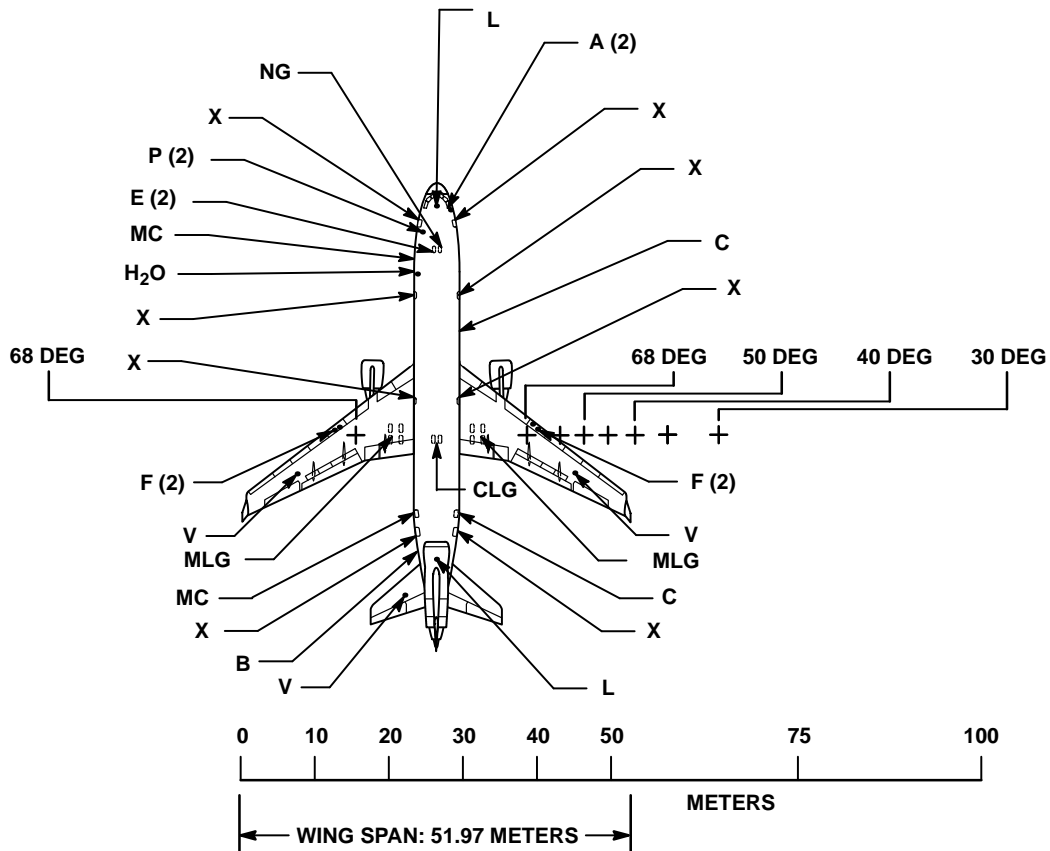


LEGEND:

- | | | | |
|------------------|----------------------------|-------|---|
| A (2) | AIR CONDITIONING (2 CONN) | MC | MAIN DECK CARGO DOOR |
| B | BULK CARGO DOOR | MLG | MAIN LANDING GEAR |
| C | LOWER DECK CARGO DOOR | NG | NOSE GEAR |
| CLG | CENTER LANDING GEAR | P (2) | PNEUMATIC (2 CONNECTIONS) |
| E (2) | ELECTRICAL (2 CONNECTIONS) | V | FUEL VENT |
| F (2) | FUEL (2 CONNECTIONS) | X | PASSENGER DOOR |
| H ₂ O | POTABLE WATER | + | TURNING RADIUS POINTS:
68 DEG, 60 DEG, 55 DEG, 50 DEG,
45 DEG, 40 DEG, 35 DEG, 30 DEG |
| L | LAVATORY | | |

**9.0 SCALE DRAWINGS
9.4 1 TO 500
MODEL MD-11**

DMC005-86



LEGEND:

- A (2) AIR CONDITIONING (2 CONN)
- B BULK CARGO DOOR
- C LOWER DECK CARGO DOOR
- CLG CENTER LANDING GEAR
- E (2) ELECTRICAL (2 CONNECTIONS)
- F (2) FUEL (2 CONNECTIONS)
- H₂O POTABLE WATER
- L LAVATORY

- MC MAIN DECK CARGO DOOR
- MLG MAIN LANDING GEAR
- NG NOSE GEAR
- P (2) PNEUMATIC (2 CONNECTIONS)
- V FUEL VENT
- X PASSENGER DOOR
- + TURNING RADIUS POINTS:
68 DEG, 60 DEG, 55 DEG, 50 DEG,
45 DEG, 40 DEG, 35 DEG, 30 DEG

**9.0 SCALE DRAWINGS
9.5 1 TO 1,000
MODEL MD-11**

DMC005-87