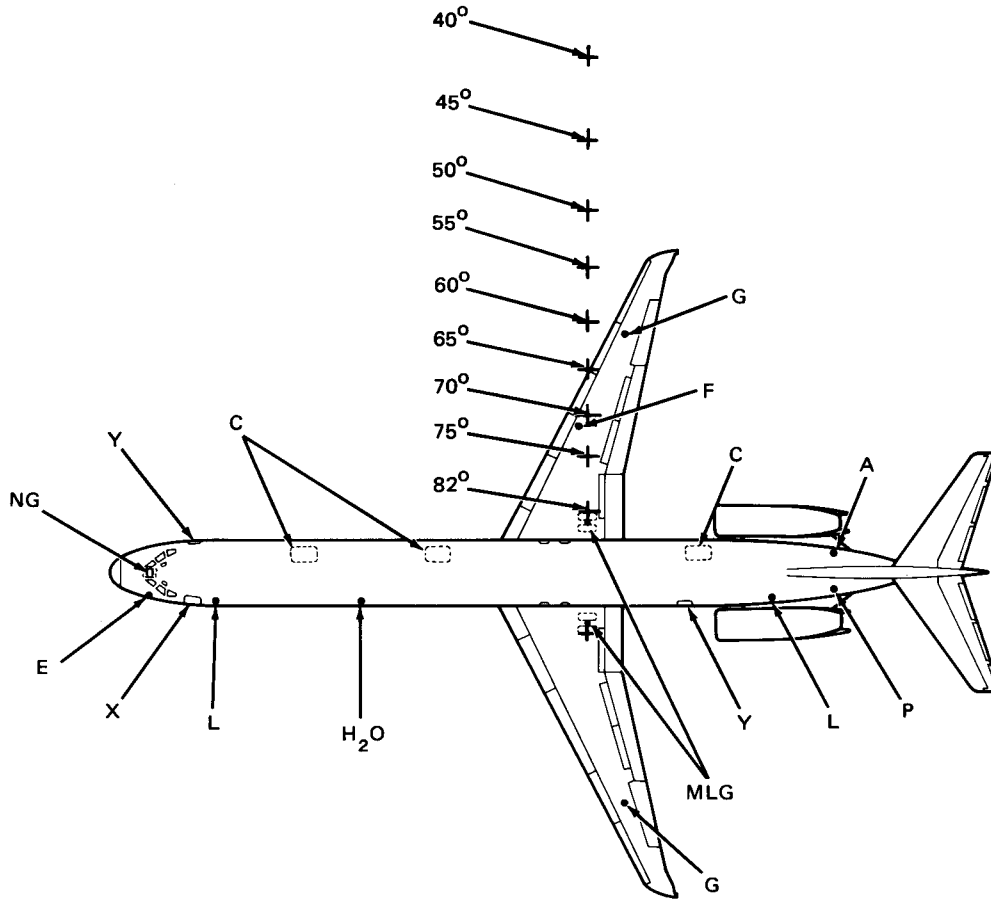


9.0 SCALE DRAWINGS

SCALE: 1 IN. = 32 FT



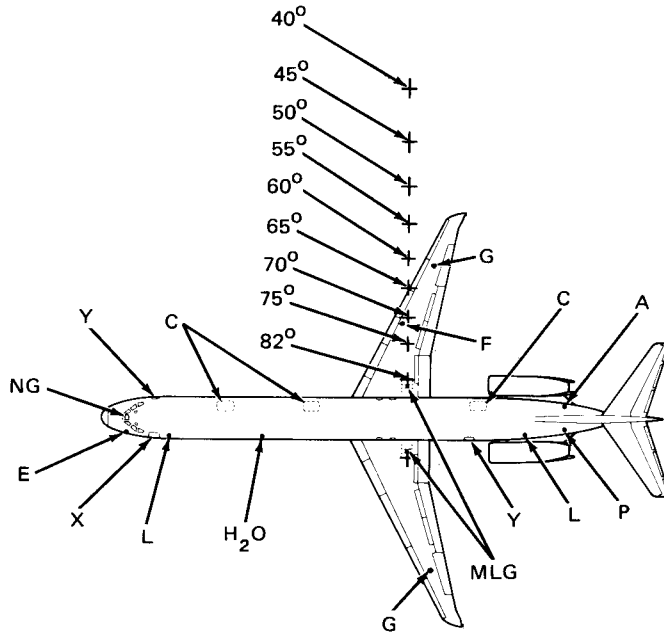
LEGEND

- | | | | |
|----|------------------------------|------------------|-------------------|
| A. | PRECONDITIONED AIR | H ₂ O | POTABLE WATER (1) |
| B. | MAIN CARGO DOOR (NONE) | L. | LAVATORY (2) |
| C. | FWD, MID AND AFT CARGO DOORS | MLG | MAIN LANDING GEAR |
| E. | ELECTRICAL - GROUND POWER | NG | NOSE LANDING GEAR |
| F. | PRESSURE REFUELING POINT (1) | P. | PNEUMATIC POWER |
| G. | GRAVITY REFUELING POINT (2) | X. | PASSENGER DOOR |
| | | Y. | SERVICE DOOR |

TURNING RADIUS POINTS +
82°, 75°, 70°, 65°, 60°, 55°, 50°, 45°, 40°

**9.0 SCALE DRAWINGS
MODEL MD-81, -82, -83, AND -88**

SCALE: 1 IN. = 50 FT



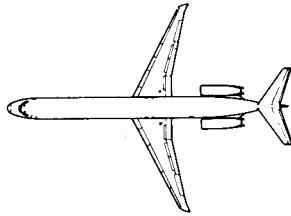
LEGEND

- | | | | |
|----|------------------------------|------------------|-------------------|
| A. | PRECONDITIONED AIR | H ₂ O | POTABLE WATER (1) |
| B. | MAIN CARGO DOOR (NONE) | L. | LAVATORY (2) |
| C. | FWD, MID AND AFT CARGO DOORS | MLG | MAIN LANDING GEAR |
| E. | ELECTRICAL – GROUND POWER | NG | NOSE LANDING GEAR |
| F. | PRESSURE REFUELING POINT (1) | P. | PNEUMATIC POWER |
| G. | GRAVITY REFUELING POINT (2) | X. | PASSENGER DOOR |
| | | Y. | SERVICE DOOR |

TURNING RADIUS POINTS +
82°, 75°, 70°, 65°, 60°, 55°, 50°, 45°, 40°

**9.0 SCALE DRAWINGS
MODEL MD-81, -82, -83, AND -88**

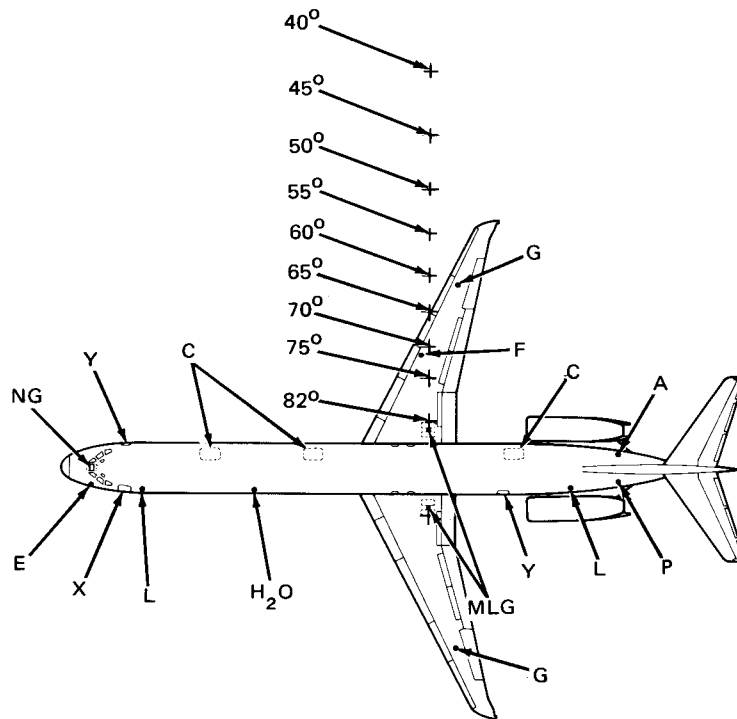
SCALE: 1 IN. = 100 FT



*SEE OTHER PAGES IN THIS SECTION FOR SERVICE POINT LOCATIONS.

**9.0 SCALE DRAWINGS
MODEL MD-81, -82, -83 AND -88**

SCALE: 1 TO 500



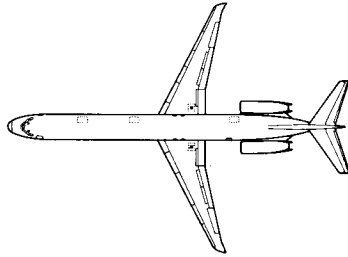
LEGEND

- | | | | |
|----|------------------------------|------------------|-------------------|
| A. | PRECONDITIONED AIR | H ₂ O | POTABLE WATER (1) |
| B. | MAIN CARGO DOOR (NONE) | L. | LAVATORY (2) |
| C. | FWD, MID AND AFT CARGO DOORS | MLG | MAIN LANDING GEAR |
| E. | ELECTRICAL – GROUND POWER | NG | NOSE LANDING GEAR |
| F. | PRESSURE REFUELING POINT (1) | P. | PNEUMATIC POWER |
| G. | GRAVITY REFUELING POINT (2) | X. | PASSENGER DOOR |
| | | Y. | SERVICE DOOR |

TURNING RADIUS POINTS +
82°, 75°, 70°, 65°, 60°, 55°, 50°, 45°, 40°

**9.0 SCALE DRAWINGS
MODEL MD-81, -82, -83, AND -88**

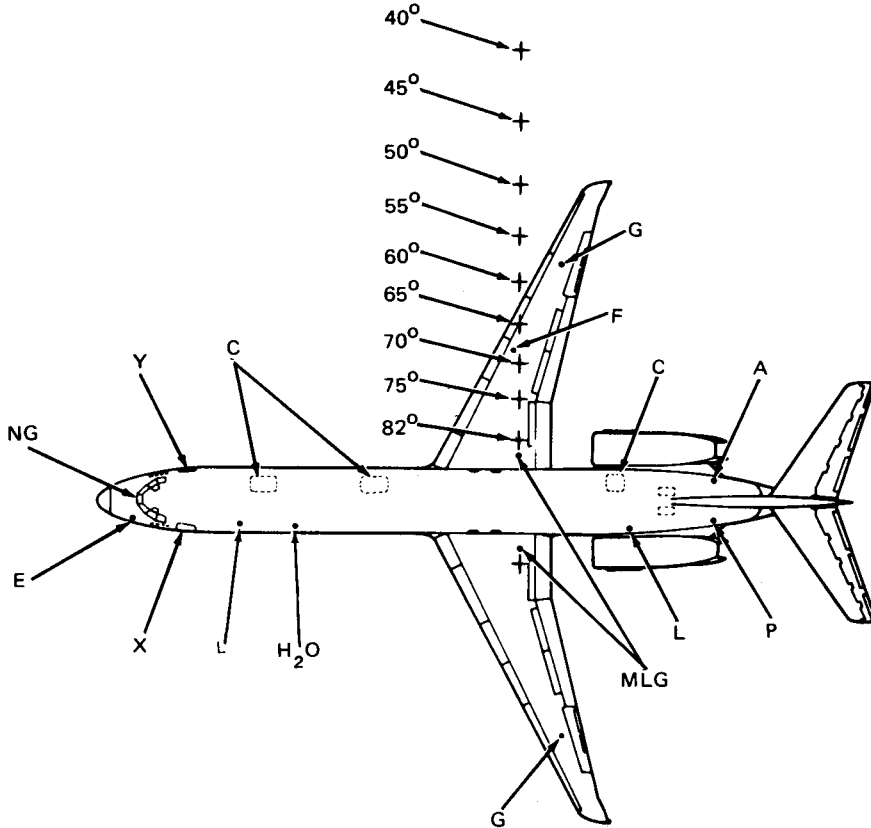
SCALE: 1 TO 1000



*SEE OTHER PAGES IN THIS SECTION FOR SERVICE POINT LOCATIONS.

**9.0 SCALE DRAWINGS
MODEL MD-81, -82, -83, AND -88**

SCALE: 1 IN. = 32 FT



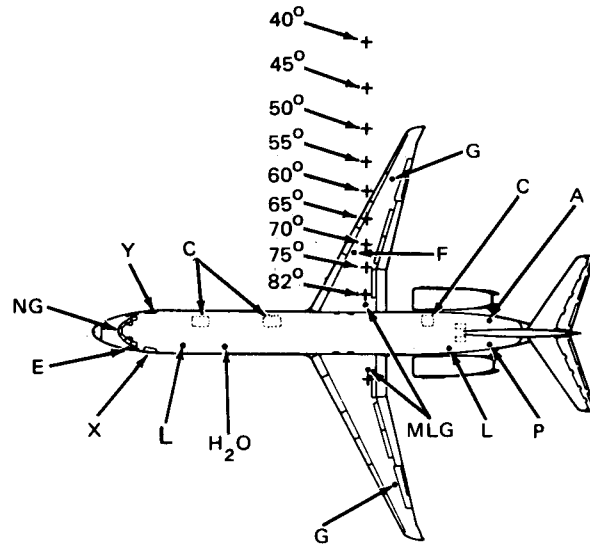
LEGEND

- | | | | |
|----|------------------------------|------------------|-------------------|
| A. | PRECONDITIONED AIR | H ₂ O | POTABLE WATER (1) |
| B. | MAIN CARGO DOOR (NONE) | L. | LAVATORY (2) |
| C. | FWD, MID AND AFT CARGO DOORS | MLG | MAIN LANDING GEAR |
| E. | ELECTRICAL - GROUND POWER | NG | NOSE LANDING GEAR |
| F. | PRESSURE REFUELING POINT (1) | P. | PNEUMATIC POWER |
| G. | GRAVITY REFUELING POINT (2) | X. | PASSENGER DOOR |
| | | Y. | SERVICE DOOR |

TURNING RADIUS POINTS +
82°, 75°, 70°, 65°, 60°, 55°, 50°, 45°, 40°

**9.0 SCALE DRAWINGS
MODEL MD-87**

SCALE: 1 IN. = 50 FT



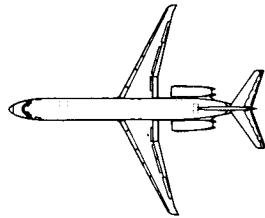
LEGEND

- | | | | |
|----|------------------------------|------------------|-------------------|
| A. | PRECONDITIONED AIR | H ₂ O | POTABLE WATER (1) |
| B. | MAIN CARGO DOOR (NONE) | L. | LAVATORY (2) |
| C. | FWD, MID AND AFT CARGO DOORS | MLG | MAIN LANDING GEAR |
| E. | ELECTRICAL – GROUND POWER | NG | NOSE LANDING GEAR |
| F. | PRESSURE REFUELING POINT (1) | P. | PNEUMATIC POWER |
| G. | GRAVITY REFUELING POINT (2) | X. | PASSENGER DOOR |
| | | Y. | SERVICE DOOR |

TURNING RADIUS POINTS +
82°, 75°, 70°, 65°, 60°, 55°, 50°, 45°, 40°

**9.0 SCALE DRAWINGS
MODEL MD-87**

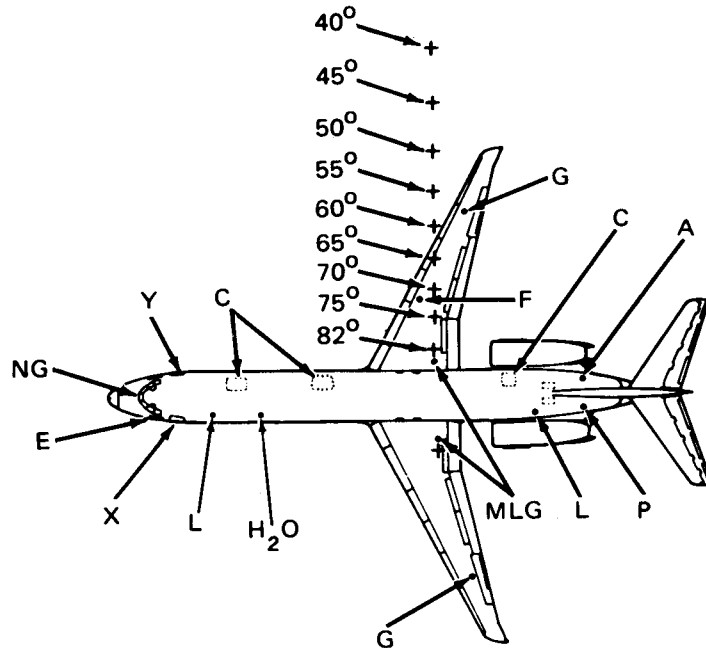
SCALE: 1 IN. = 100 FT



*SEE OTHER PAGES IN THIS SECTION FOR SERVICE POINT LOCATIONS.

**9.0 SCALE DRAWINGS
MODEL MD-87**

SCALE: 1 TO 500



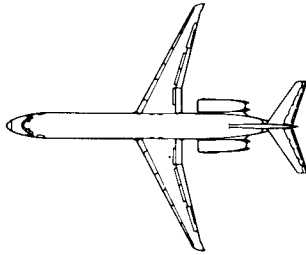
LEGEND

- | | | | |
|----|------------------------------|------------------|-------------------|
| A. | PRECONDITIONED AIR | H ₂ O | POTABLE WATER (1) |
| B. | MAIN CARGO DOOR (NONE) | L. | LAVATORY (2) |
| C. | FWD, MID AND AFT CARGO DOORS | MLG | MAIN LANDING GEAR |
| E. | ELECTRICAL - GROUND POWER | NG | NOSE LANDING GEAR |
| F. | PRESSURE REFUELING POINT (1) | P. | PNEUMATIC POWER |
| G. | GRAVITY REFUELING POINT (2) | X. | PASSENGER DOOR |
| | | Y. | SERVICE DOOR |

TURNING RADIUS POINTS +
82°, 75°, 70°, 65°, 60°, 55°, 50°, 45°, 40°

**9.0 SCALE DRAWINGS
MODEL MD-87**

SCALE: 1 TO 1000



*SEE OTHER PAGES IN THIS SECTION FOR SERVICE POINT LOCATIONS.

**9.0 SCALE DRAWINGS
MODEL MD-87**