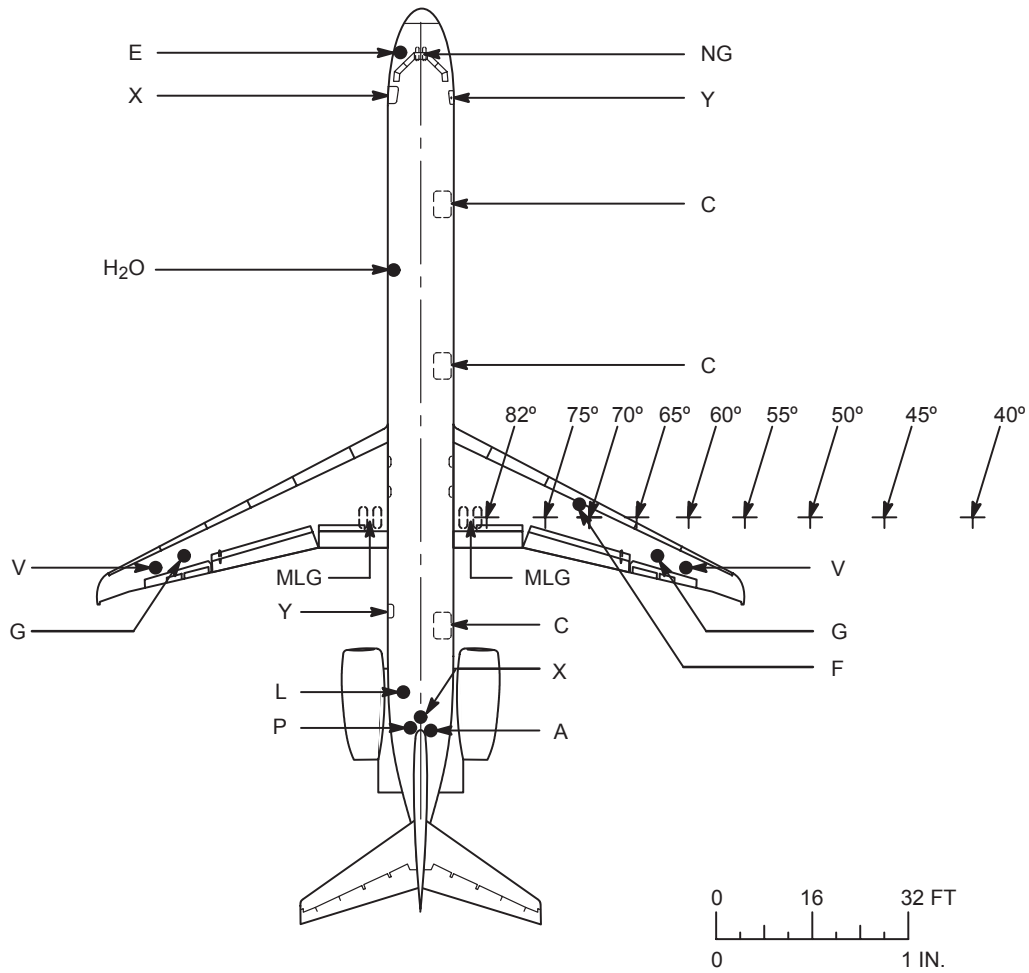




9.0 MD-90-30 SCALE DRAWINGS



This page intentionally left blank



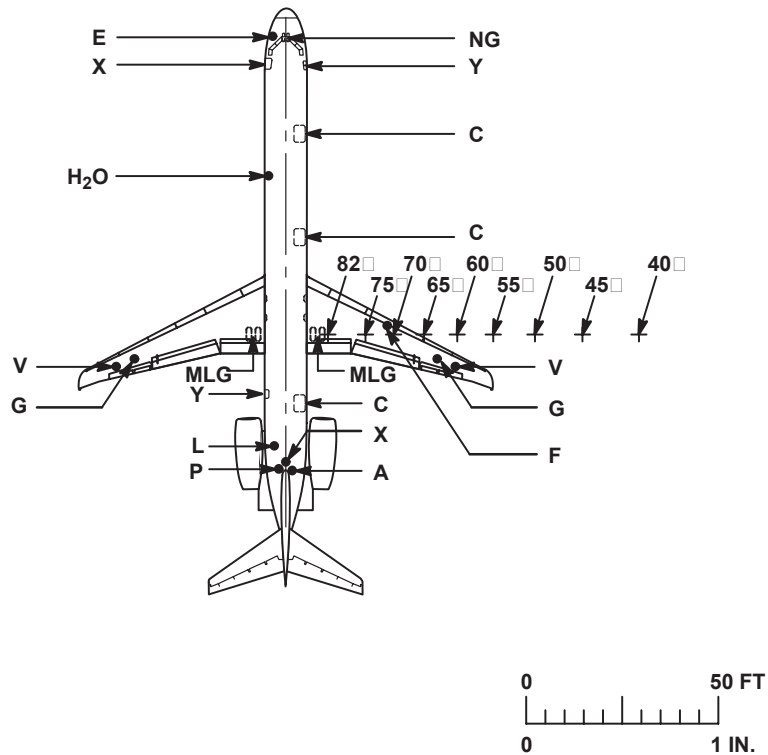
LEGEND

- | | | | |
|------------------|---------------------------|----|---|
| A | AIR CONDITIONING (1) | NG | NOSE GEAR |
| C | LOWER DECK CARGO DOOR (3) | P | PNEUMATIC (1) |
| E | ELECTRICAL (1) | V | FUEL VENT (2) |
| F | PRESSURE REFUELING (1) | X | PASSENGER DOOR (2) |
| G | GRAVITY REFUELING (2) | Y | SERVICE DOOR (2) |
| H ₂ O | POTABLE WATER (1) | + | TURNING RADIUS POINTS: |
| L | LAVATORY (1) | | 82 DEG, 75 DEG, 70 DEG, 65 DEG, 60 DEG, |
| MLG | MAIN LANDING GEAR | | 55 DEG, 50 DEG, 45 DEG, 40 DEG |

9.0 SCALE DRAWINGS

9.1 1 INCH = 32 FEET

MODEL MD-90-30



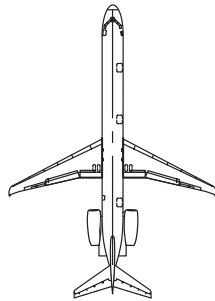
LEGEND

- | | | | |
|------------------|---------------------------|----|---|
| A | AIR CONDITIONING (1) | NG | NOSE GEAR |
| C | LOWER DECK CARGO DOOR (3) | P | PNEUMATIC (1) |
| E | ELECTRICAL (1) | V | FUEL VENT (2) |
| F | PRESSURE REFUELING (1) | X | PASSENGER DOOR (2) |
| G | GRAVITY REFUELING (2) | Y | SERVICE DOOR (2) |
| H ₂ O | POTABLE WATER (1) | + | TURNING RADIUS POINTS: |
| L | LAVATORY (1) | | 82 DEG, 75 DEG, 70 DEG, 65 DEG, 60 DEG, |
| MLG | MAIN LANDING GEAR | | 55 DEG, 50 DEG, 45 DEG, 40 DEG |

9.0 SCALE DRAWINGS

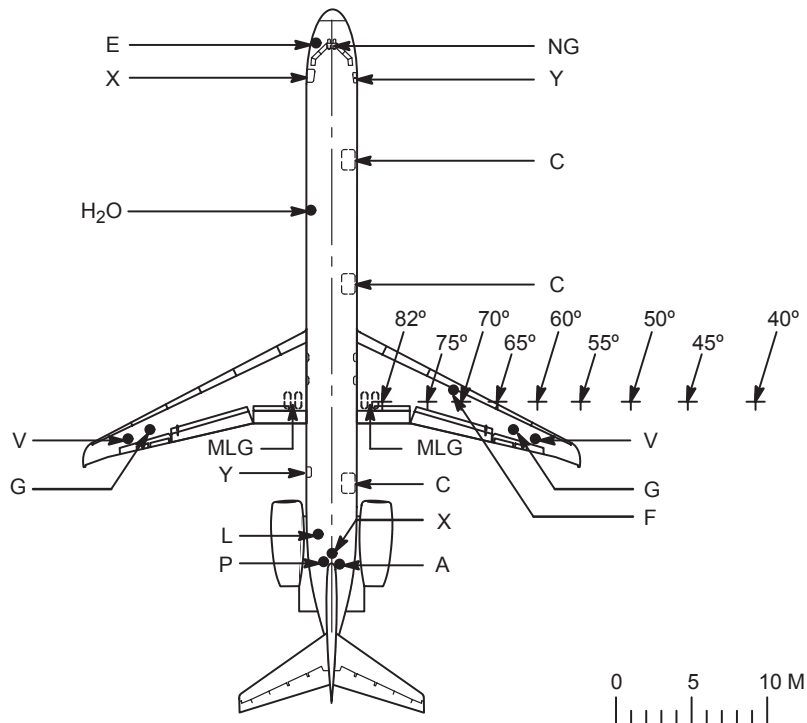
9.2 1 INCH = 50 FEET

MODEL MD-90-30



*SEE OTHER PAGES IN THIS SECTION FOR SERVICE POINT LOCATIONS.

9.0 SCALE DRAWINGS
9.3 1 INCH = 100 FEET
MODEL MD-90-30



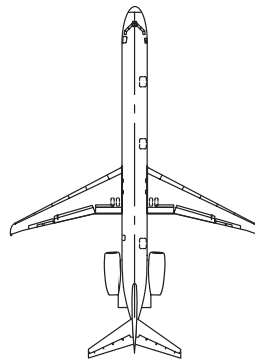
LEGEND

A	AIR CONDITIONING (1)	NG	NOSE GEAR
C	LOWER DECK CARGO DOOR (3)	P	PNEUMATIC (1)
E	ELECTRICAL (1)	V	FUEL VENT (2)
F	PRESSURE REFUELING (1)	X	PASSENGER DOOR (2)
G	GRAVITY REFUELING (2)	Y	SERVICE DOOR (2)
H ₂ O	POTABLE WATER (1)	+	TURNING RADIUS POINTS:
L	LAVATORY (1)		82 DEG, 75 DEG, 70 DEG, 65 DEG, 60 DEG,
MLG	MAIN LANDING GEAR		55 DEG, 50 DEG, 45 DEG, 40 DEG

9.0 SCALE DRAWINGS

9.4 1 TO 500

MODEL MD-90-30



*SEE OTHER PAGES IN THIS SECTION FOR SERVICE POINT LOCATIONS.

9.0 SCALE DRAWINGS
9.5 1 TO 1000
MODEL MD-90-30



This page intentionally left blank