

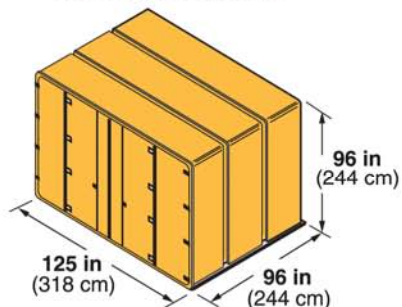
Main deck cargo compartment similar to 767-300F



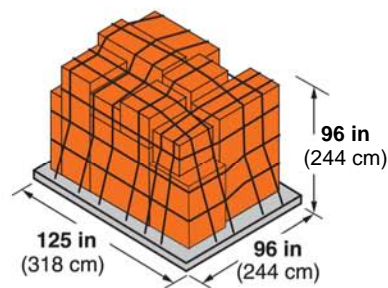
767-300BCF and 747 interline capability

96-in x 125-in pallets and containers

M1 container

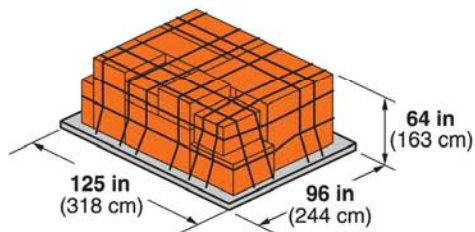
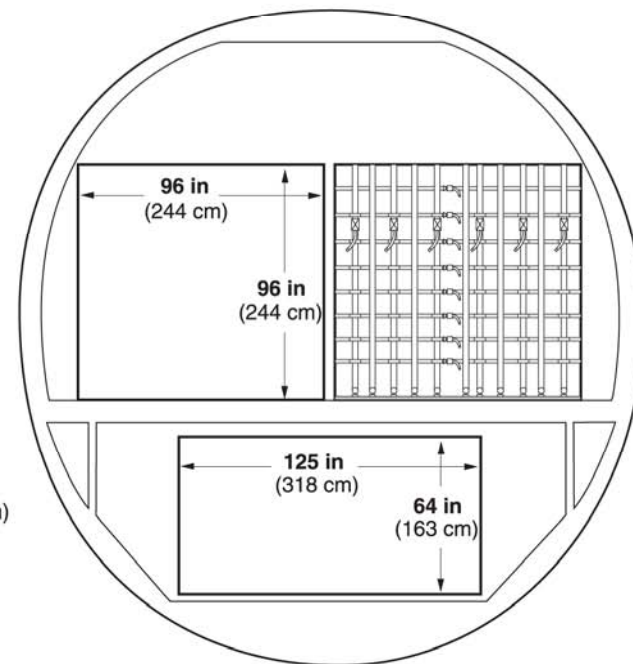
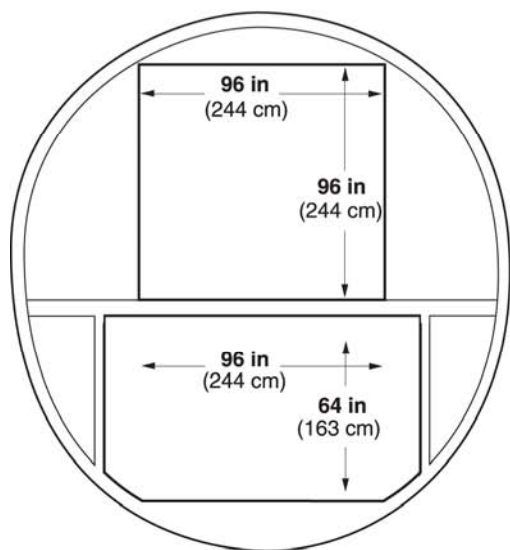


M1 pallet



747

767



Lower hold pallet