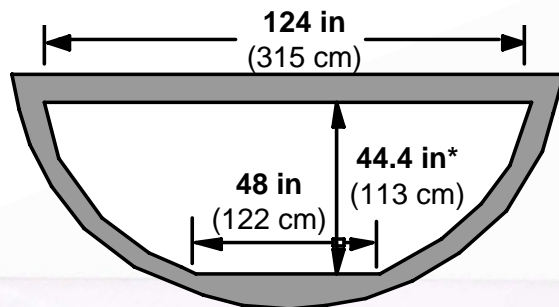


# 737 Lower Hold Volume

## 737-300/-400/-500

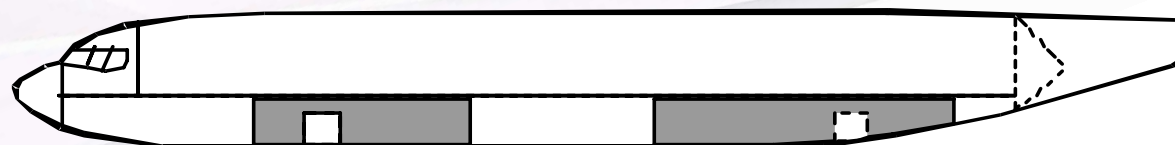


### Total volume

737-300 = 1,068 ft<sup>3</sup> (30.2 m<sup>3</sup>)

737-400 = 1,373 ft<sup>3</sup> (38.9 m<sup>3</sup>)

737-500 = 822 ft<sup>3</sup> (23.3 m<sup>3</sup>)



### Forward



**Door 35 in x 48 in**  
(89 cm x 122 cm)

737-300 = 425 ft<sup>3</sup> (12.0 m<sup>3</sup>)

737-400 = 607 ft<sup>3</sup> (17.2 m<sup>3</sup>)

737-500 = 287 ft<sup>3</sup> (8.1 m<sup>3</sup>)

### Aft



**Door 33 in x 48 in**  
(84 cm x 122 cm)

737-300 = 643 ft<sup>3</sup> (18.2 m<sup>3</sup>)

737-400 = 766 ft<sup>3</sup> (21.7 m<sup>3</sup>)

737-500 = 535 ft<sup>3</sup> (15.2 m<sup>3</sup>)

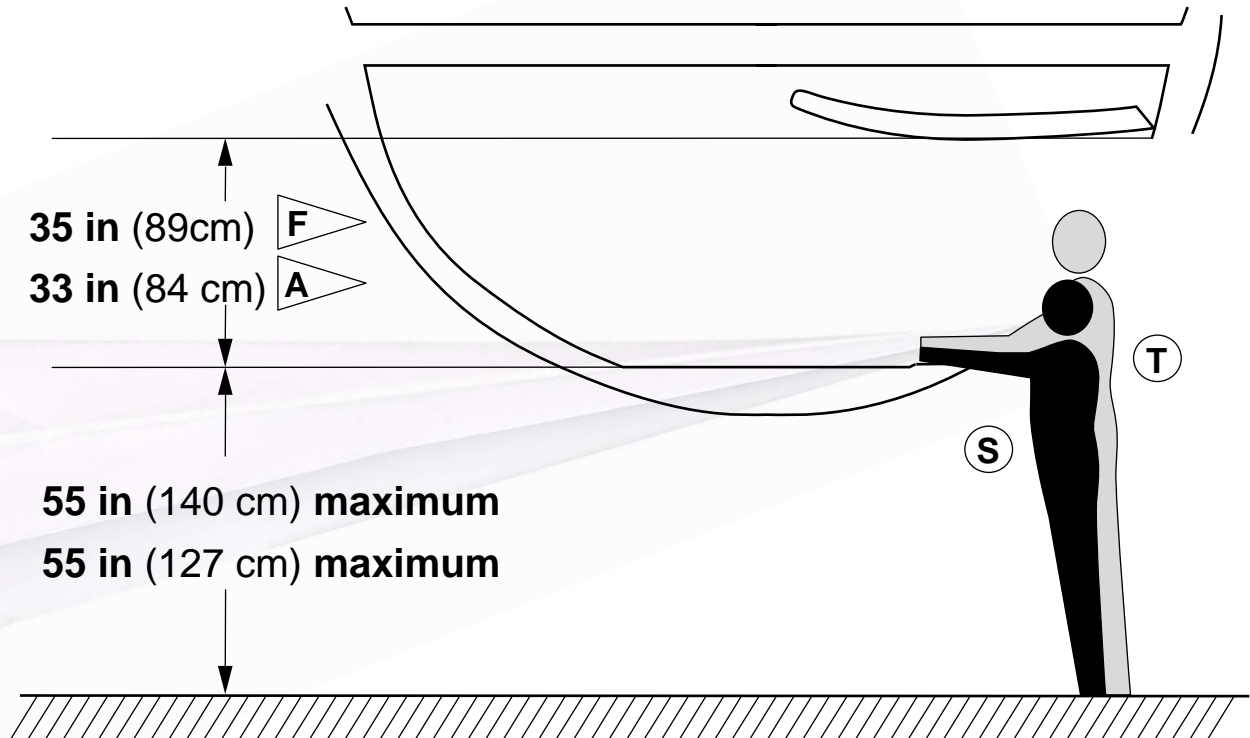
\*47.1 in (120 cm) forward end of aft compartment

# Cargo Hold Can Be Loaded Easily by Hand

StartupBoeing

737-300/-400/-500

Cargo handling equipment not required



- F** Forward cargo hold
- A** Aft cargo hold
- T** 97.5-percentile man: 6 ft 2 in (188 cm) tall
- S** 2.5-percentile man: 5 ft 3.5 in (161 cm) tall