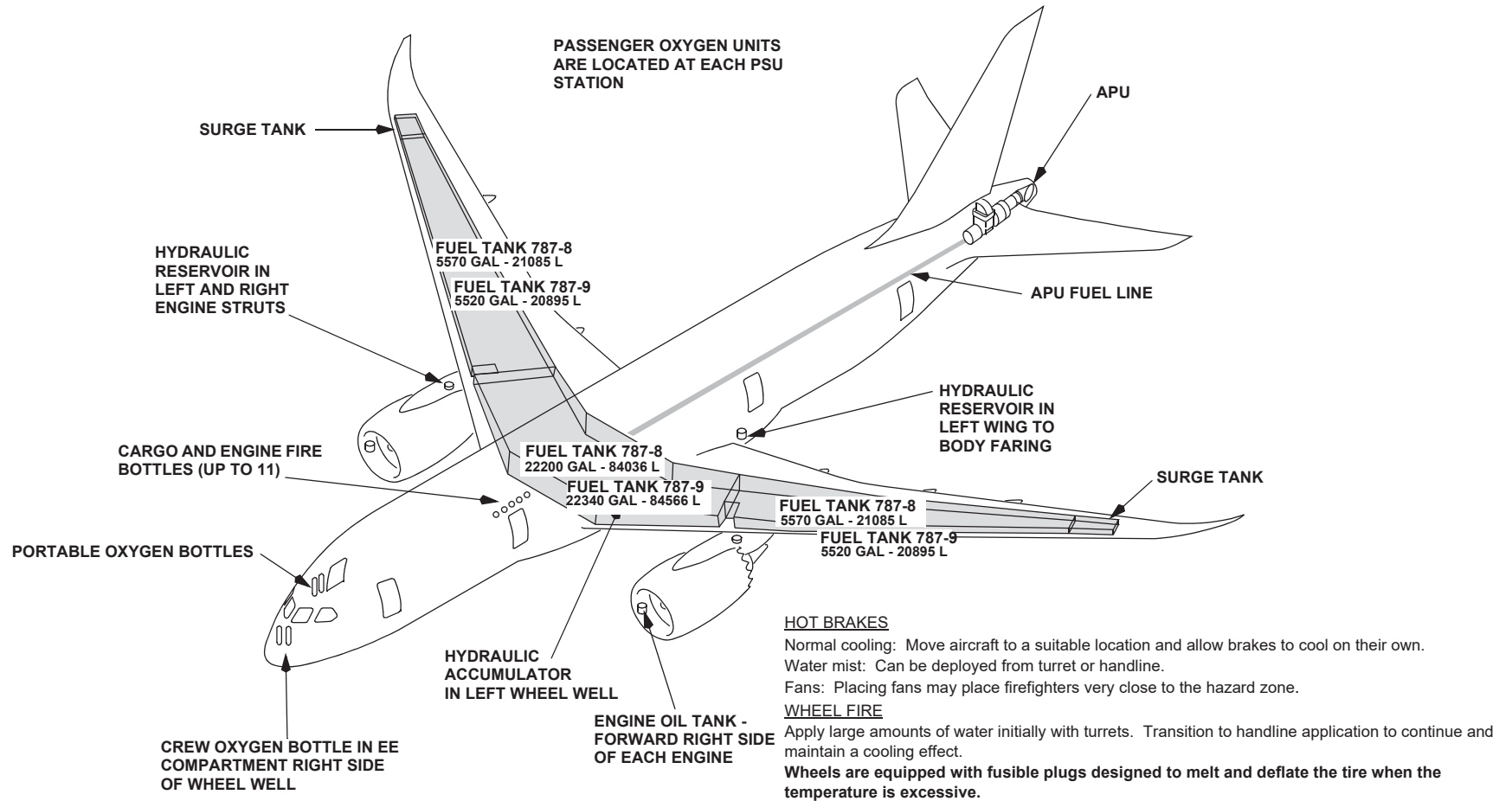


# 787 SERIES

# FLAMMABLE MATERIAL LOCATIONS

**CAUTION:** Rescue crews wearing full PPE to include SCBA's must use caution when moving across sections of aircraft that have been exposed to fatigue or fire as the result of an accident. Crews need to verify the integrity of the surface area before moving their weight and equipment across it. Signs could include but are not limited to deformity of structure, visual signs of flame impingement or uneven surfaces. Surface integrity can be checked with a pike pole, axe or any instrument used to sound surfaces for integrity.

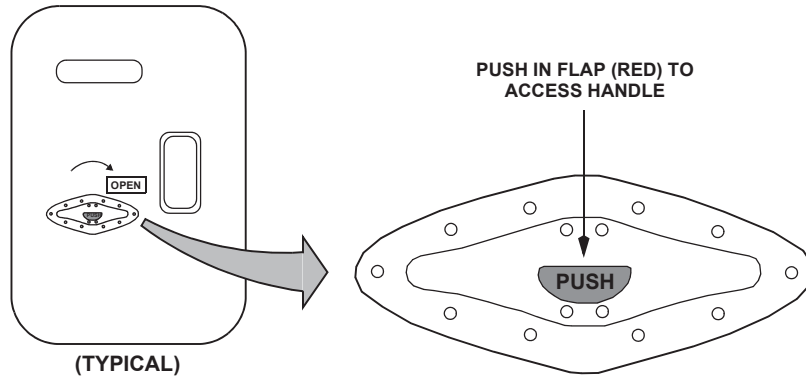


**WARNING:** Approach landing gear trucks from forward or aft at a 45 degree angle when approaching hot brakes or fighting a wheel fire, as rims and tires may pose a fragmentation hazard.

# 787 SERIES

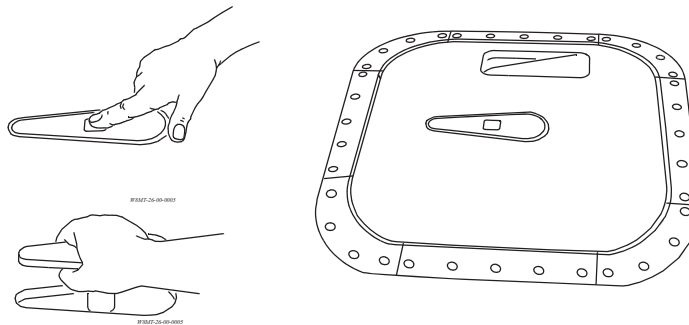
# EMERGENCY RESCUE ACCESS-1

## 1 ENTRY/SERVICE DOOR EXTERNAL HANDLE



- TO OPEN DOOR:**
1. PUSH IN RED FLAP.
  2. PULL HANDLE FROM RECESS.
  3. ROTATE HANDLE 180 DEGREES IN THE DIRECTION OF THE "OPEN" ARROW.
  4. PULL DOOR OUTWARD.

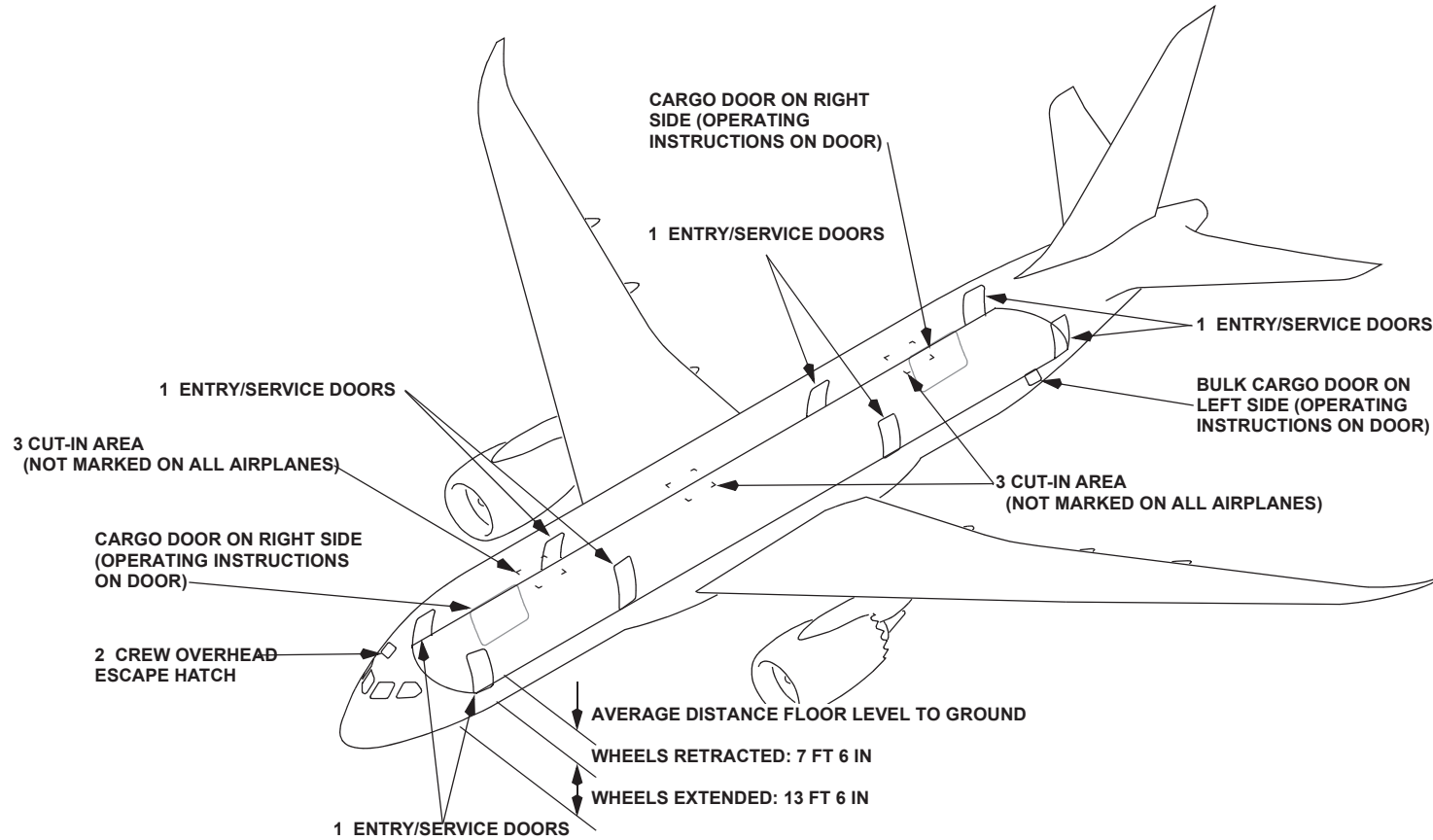
## 2 CREW OVERHEAD ESCAPE HATCH EXTERNAL HANDLE



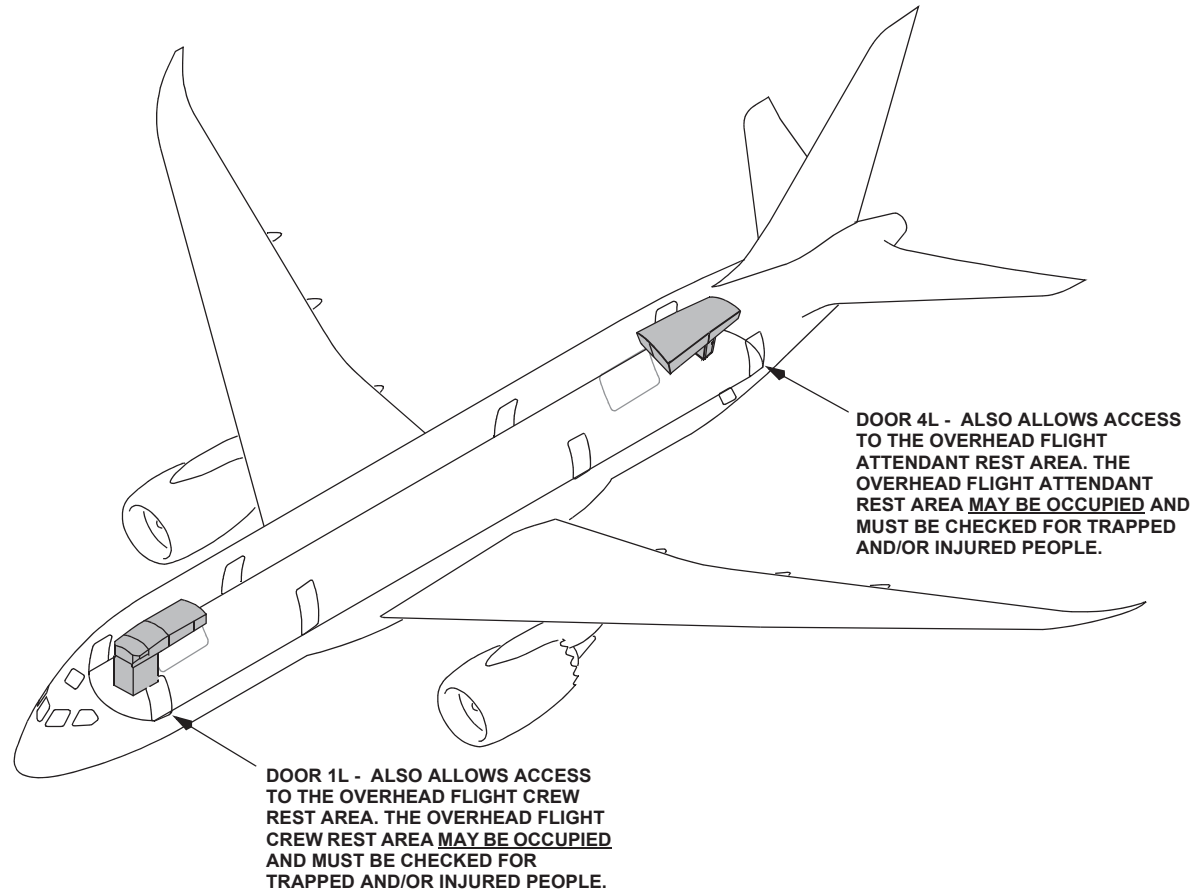
- TO OPEN HATCH:**
1. PUSH RELEASE TRIGGER ON HANDLE (HANDLE WILL SPRING OUT FROM RECESS APPROXIMATELY 3 INCHES).
  2. ROTATE HANDLE 180°.
  3. PUSH HATCH INWARD.

# 787 SERIES

# EMERGENCY RESCUE ACCESS-2

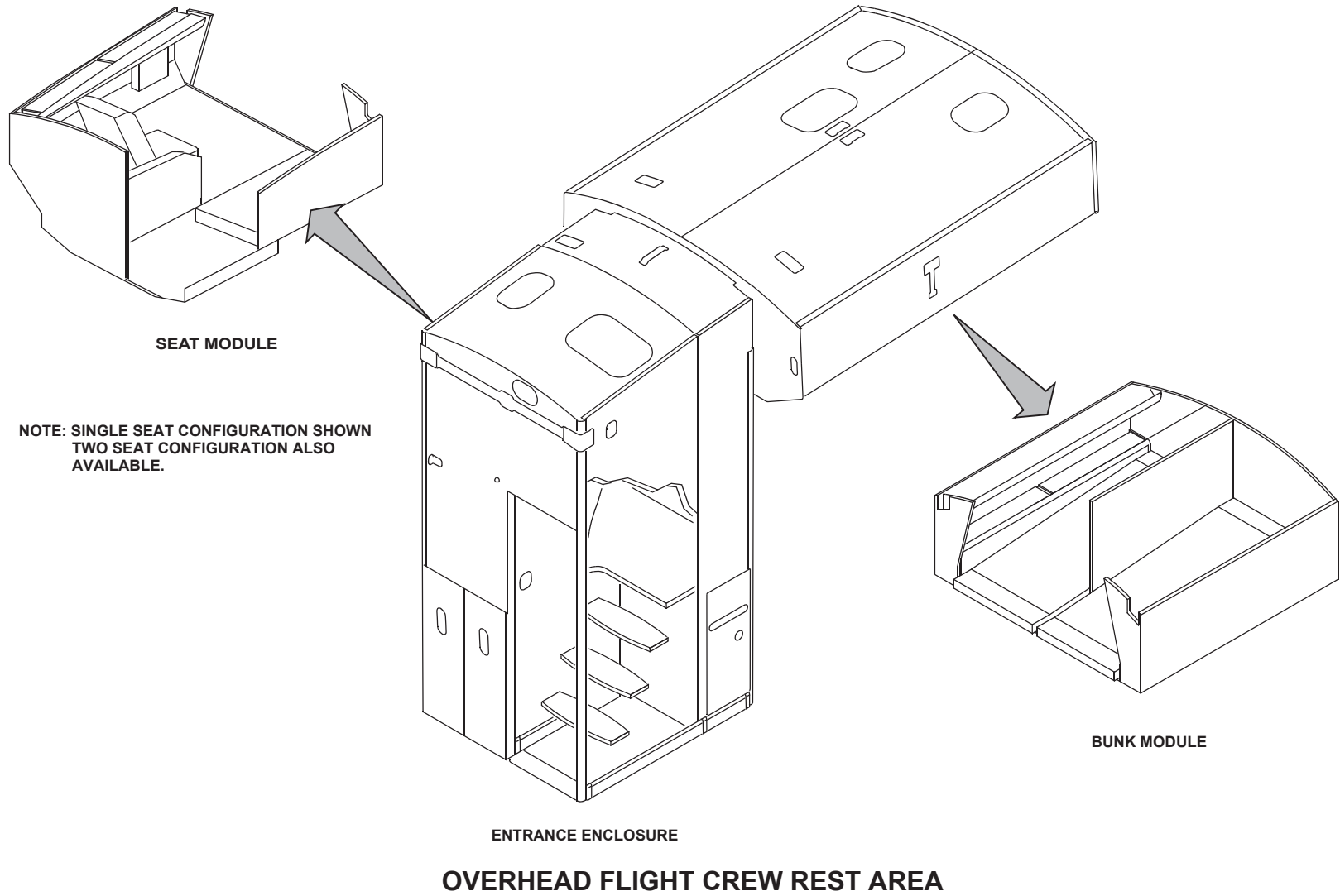


Copyright © Boeing. See title page for details.



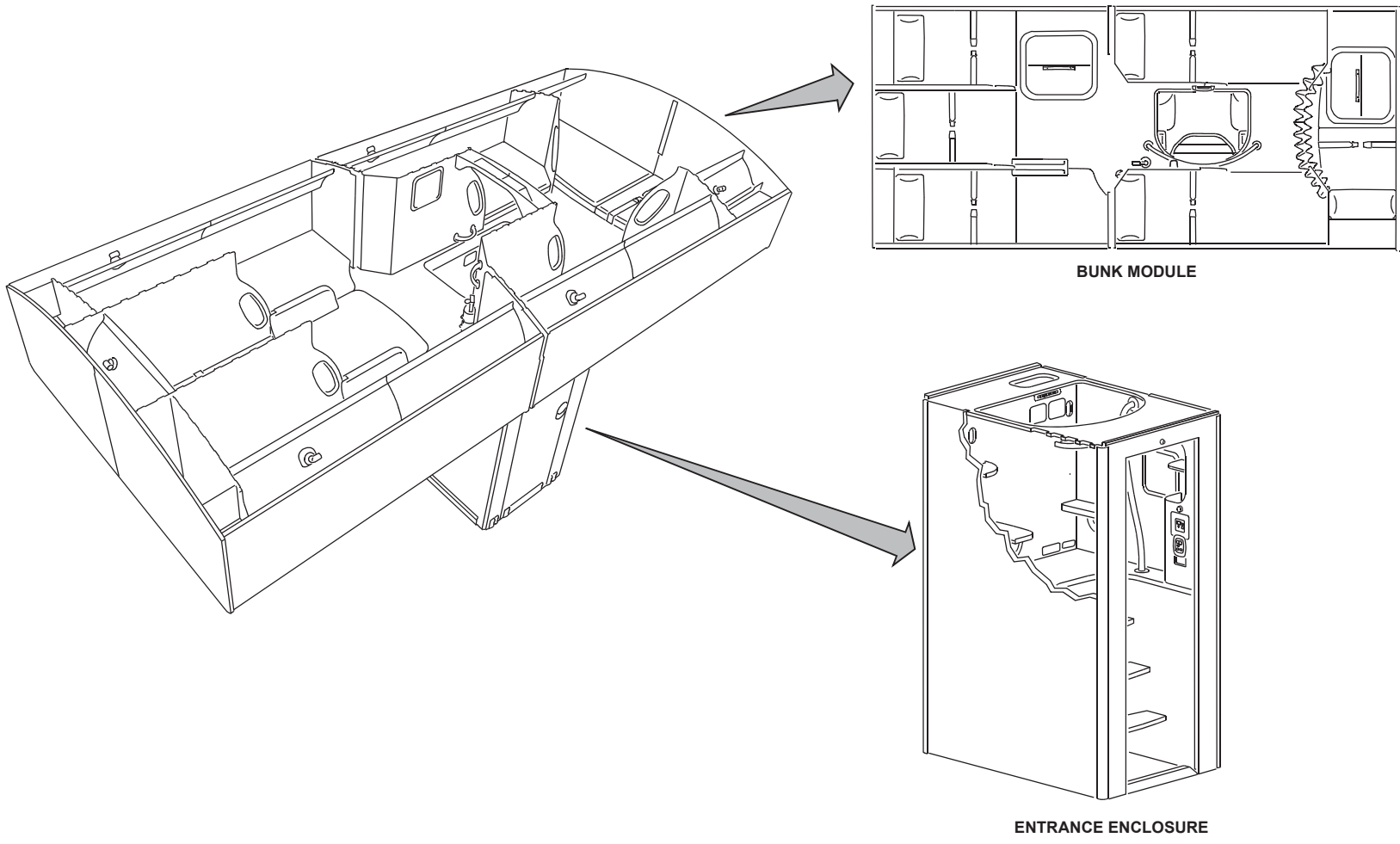
# 787 SERIES

# EMERGENCY RESCUE ACCESS-4



**787 SERIES**

**EMERGENCY RESCUE ACCESS-5**



**OVERHEAD FLIGHT ATTENDANT REST AREA**

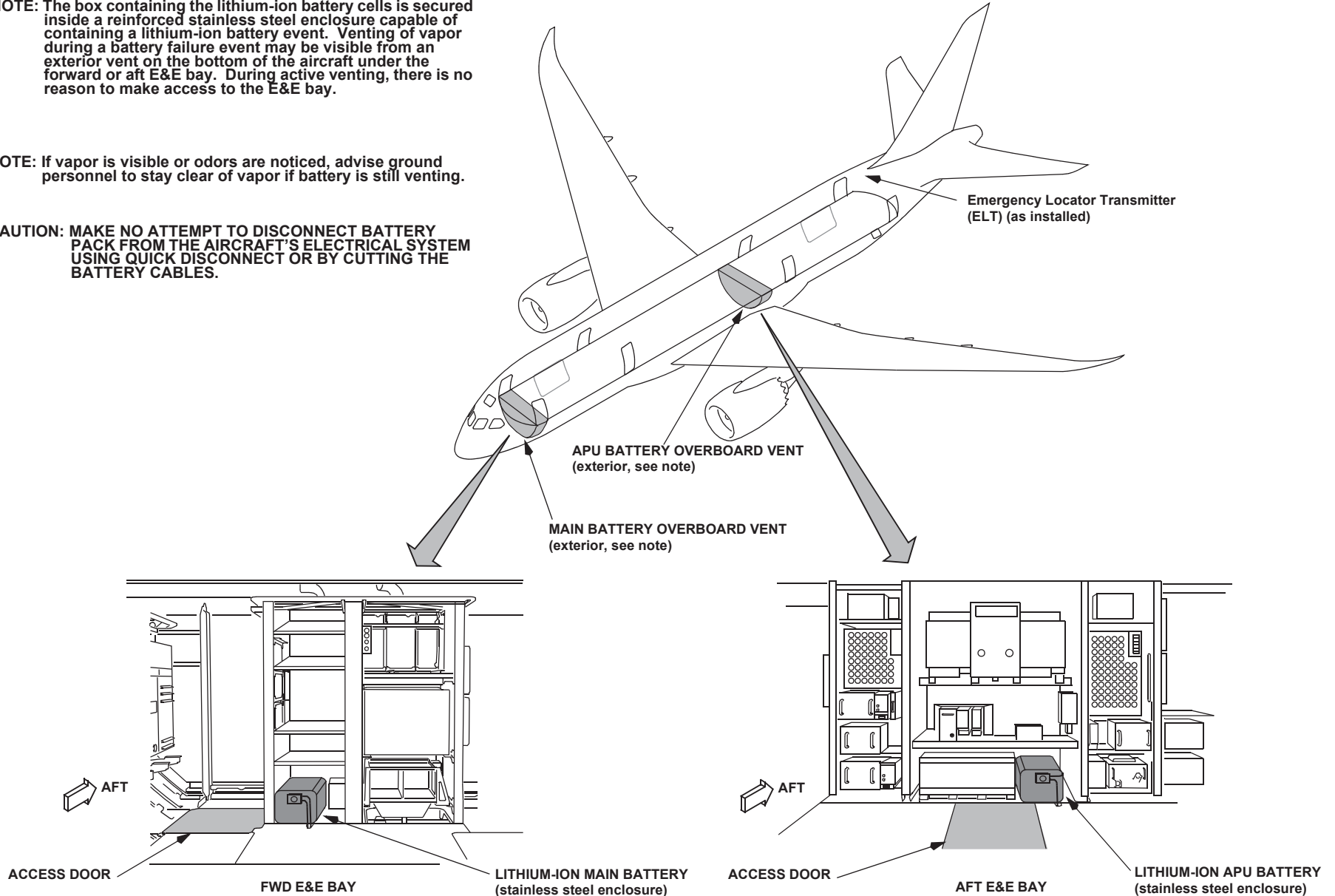
# 787 SERIES

# BATTERY LOCATIONS

**NOTE:** The box containing the lithium-ion battery cells is secured inside a reinforced stainless steel enclosure capable of containing a lithium-ion battery event. Venting of vapor during a battery failure event may be visible from an exterior vent on the bottom of the aircraft under the forward or aft E&E bay. During active venting, there is no reason to make access to the E&E bay.

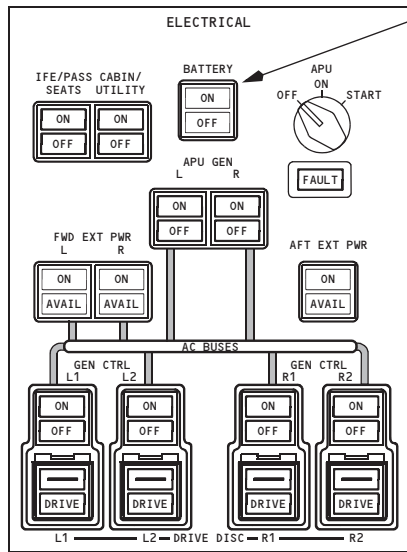
**NOTE:** If vapor is visible or odors are noticed, advise ground personnel to stay clear of vapor if battery is still venting.

**CAUTION:** MAKE NO ATTEMPT TO DISCONNECT BATTERY PACK FROM THE AIRCRAFT'S ELECTRICAL SYSTEM USING QUICK DISCONNECT OR BY CUTTING THE BATTERY CABLES.

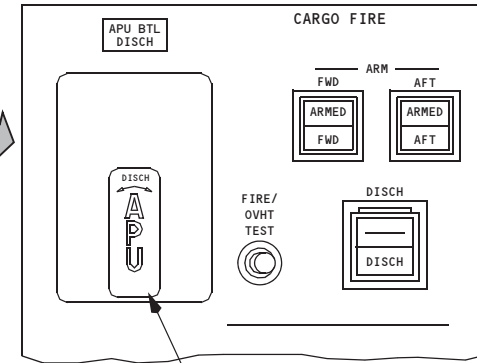


787 SERIES

FLIGHT DECK CONTROL SWITCH LOCATIONS

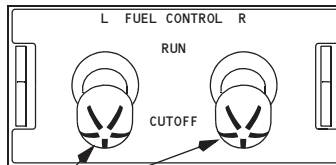
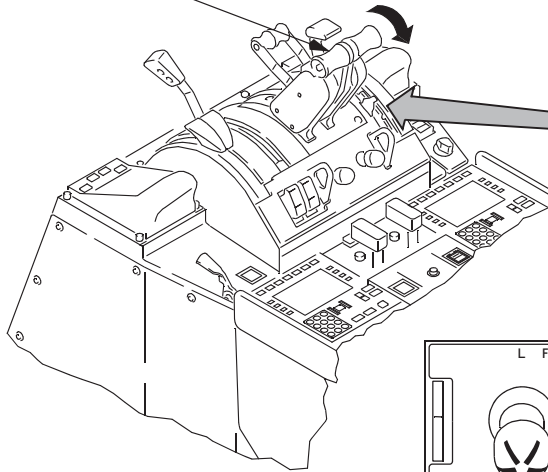


**BATTERY SWITCH - PRESS**  
NOTE: ON SYMBOL IS REMOVED

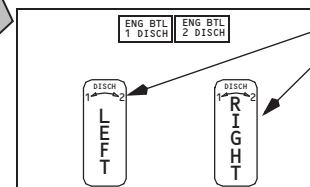
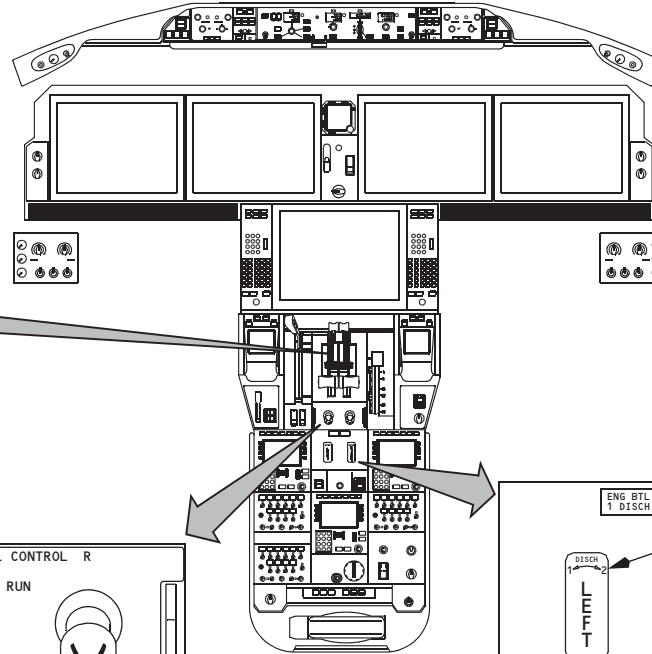


**APU FIRE SWITCH - PULL** (IF NOT ILLUMINATED, PUSH AND HOLD THE BUTTON UNDER THE SWITCH TO RELEASE)

**THRUST LEVERS - RETARD**



**FUEL CONTROL SWITCHES - CUTOFF**



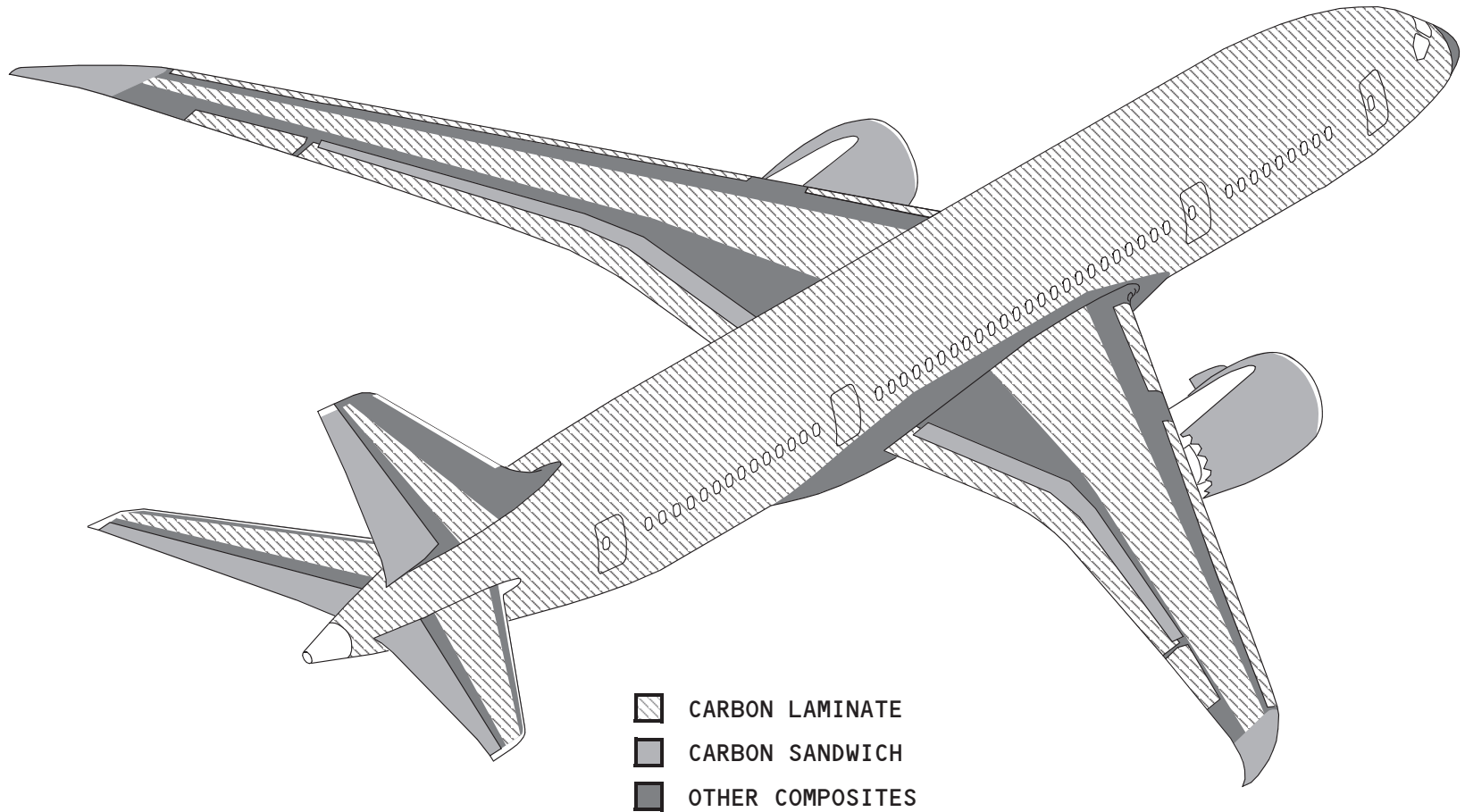
**ENGINE FIRE SWITCHES - PULL** (IF NOT ILLUMINATED, PUSH AND HOLD THE BUTTON UNDER THE SWITCH TO RELEASE)

CRITICAL SWITCH LOCATIONS AND THEIR OPERATION ARE SHOWN WITH THE EXPANDED VIEWS OF THE CONTROL MODULES.



# 787 SERIES

# COMPOSITE MATERIALS LOCATIONS

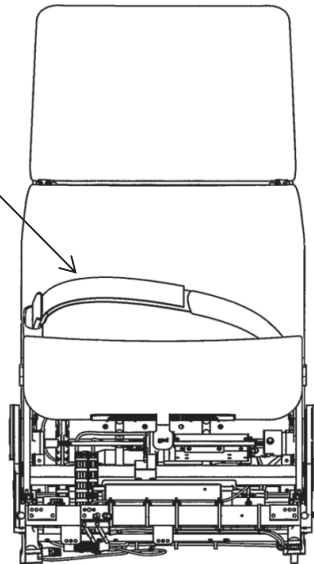


## Passenger Seatbelt Airbags

**NOTE:** Some models have optional seatbelt airbags. These seatbelts are noticeably thicker due to the airbag mechanism.

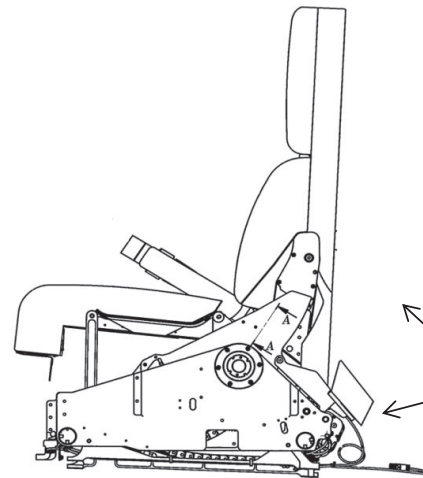
**CAUTION:** AVOID AREA IN FRONT OF THE UNDEPLOYED AIRBAG SEAT. DO NOT PLACE EQUIPMENT ON OR NEAR THE SEAT, STAND CLEAR OF UN-DEPLOYED AIRBAGS.

Lap Inflatable Seatbelt



Front View

**Note:** Firing system is contained in seat assembly and consists of a high pressure (up to 7,400 psi) compressed gas cylinder (inflator) that is actuated by an independent battery.



Side View

Firing System is contained within seat assembly

**WARNING:** DO NOT ATTEMPT TO DISABLE THE SYSTEM AND NEVER ASSUME THAT DISCONNECTING POWER WILL DISABLE THE AIRBAG SYSTEM. THIS SHOULD ONLY BE DONE BY PROPERLY TRAINED MECHANICS.