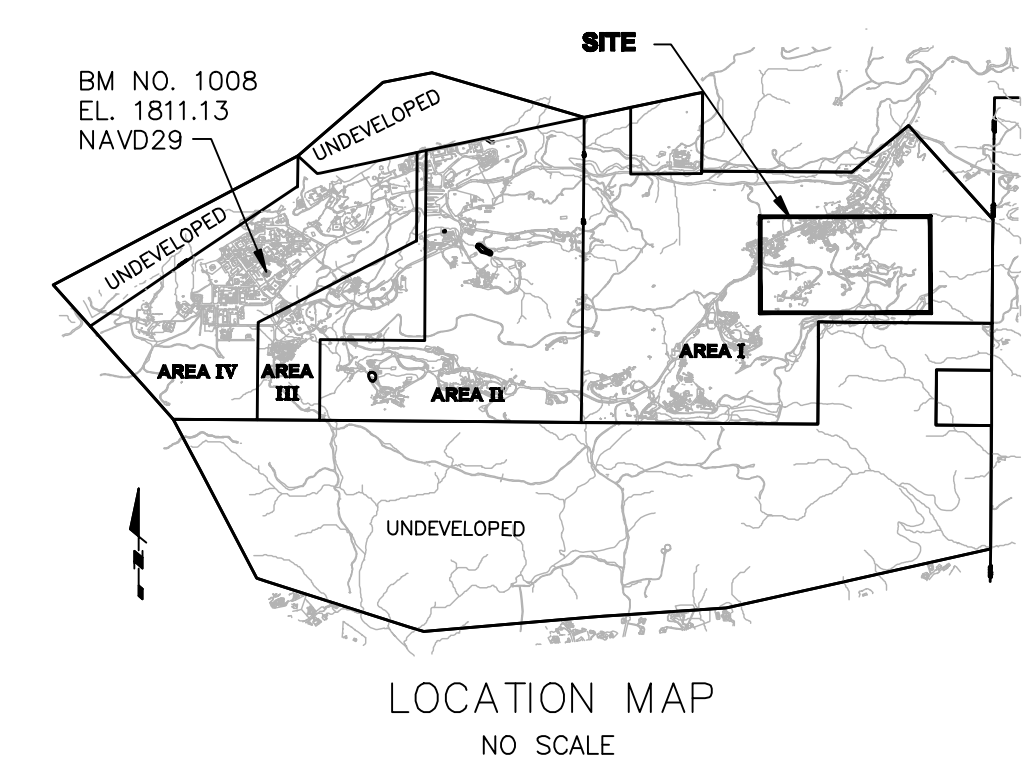


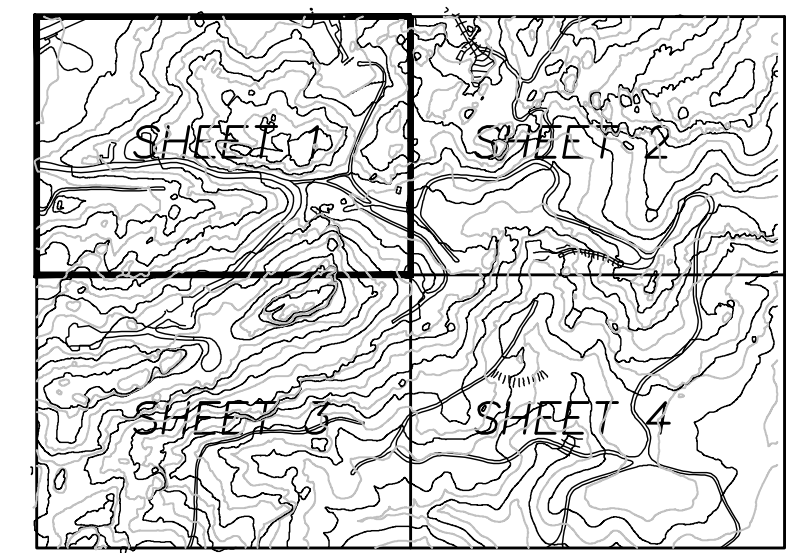
LEGEND

	5' CONTOURS
	1' CONTOURS
	CHAINLINK FENCE
	ASPHALT CONCRETE
	CONCRETE
	POST
	TANK
	SPOT ELEVATION
	TREE
	AERIAL TARGET
	BUILDING
	UTILITY POLE WITH LIGHT
	UTILITY POLE

See Sheet 2 of 4



See Sheet 3 of 4



PHOTOGRAPHY DATED: 11-13-09
 SCALE: 1" = 50' CONTOUR
 INTERVAL: 1'
 GOLDEN STATE AERIAL SURVEYS, INC.
 3195 McMILLAN RD. SUITE E
 SAN LUIS OBISPO, CA 93401
 (805) 549-0399

Robert E. Littell
 ROBERT E. LITTELL RCE 13396
 February 8, 2010



SAGE Consultants, Inc.
 LAT 34°-13'-00" N LONG 119°-02'-40" W ELEV 55.438m
 Surveyors • Application Developers • GIS Integrators •
 Engineers
 1978 Ventura Blvd., CAMARILLO CA 93010-7847
 Tel. (805) 482-6088 • Fax (805) 389-9815
 www.sagecon.com

SCALE: 1"=50'
 DATE: 1-4-2010

JOB NUMBER: 294-V-1971
 DWG NAME: Boeing Flyover I

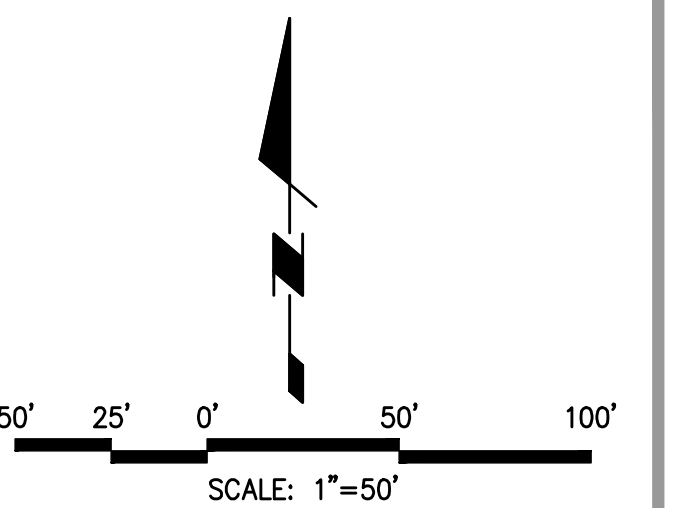
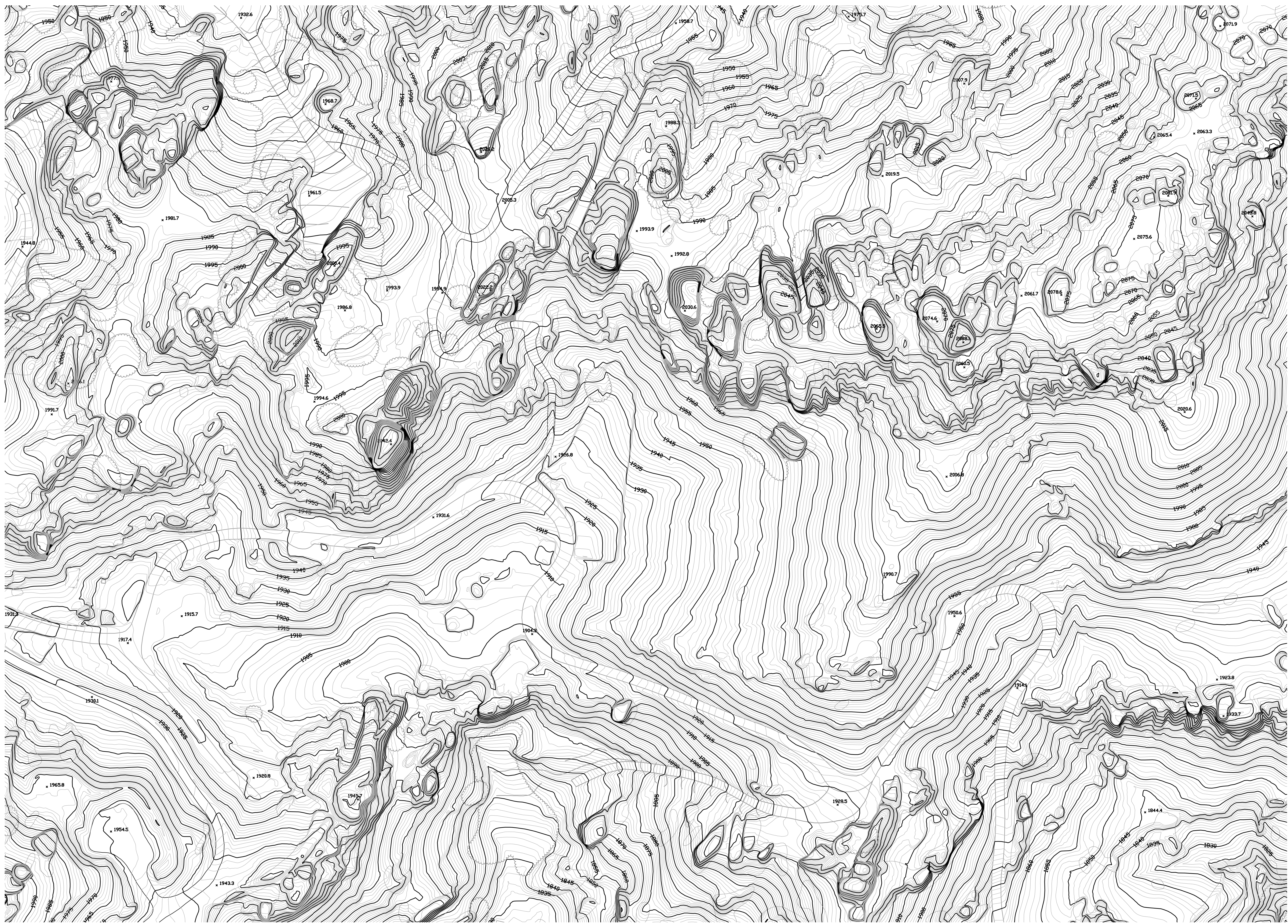
BOEING SSFL
 REFINED ISRA PEAS and ISRA Areas
 Post Excavation
 OUTFALL 008

5800 WOOLEY CANYON ROAD
 CANOGA PARK
 COUNTY OF VENTURA STATE OF CALIFORNIA

SHEET
 1
 OF 4

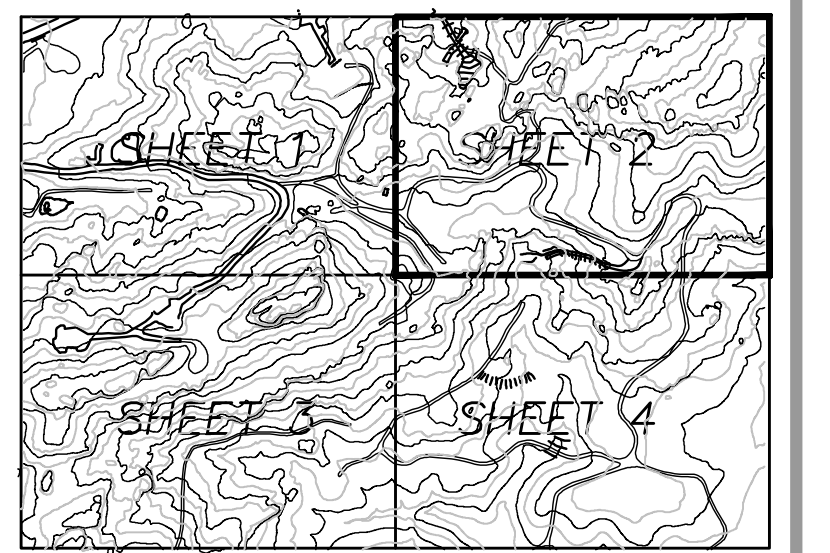
N:\projects\BOEING\happy valley flyover 1971\Deliverables\3 flyovers\post-excavation\Boeing Flyover Low Feb 08, 2010, 10:21am RobertL

See Sheet 1 of 4



LEGEND

—1765—	5' CONTOURS
—	1' CONTOURS
—x—x—	CHAINLINK FENCE
—x—x—	ASPHALT CONCRETE
—x—x—	CONCRETE
○	POST
○	TANK
1824.4	SPOT ELEVATION
○	TREE
△ 4	AERIAL TARGET
1801.96	BUILDING
— —	UTILITY POLE WITH LIGHT
— —	UTILITY POLE



SHEET INDEX

See Sheet 4 of 4

Robert E. Littell
ROBERT E. LITTELL RCE 13396
February 8, 2010

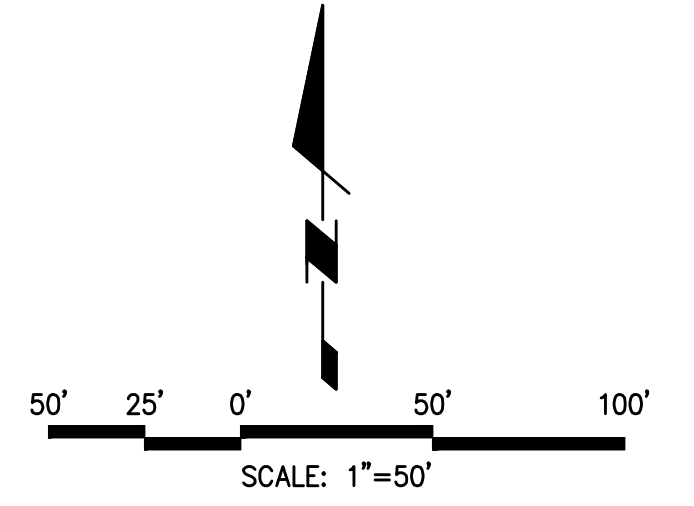
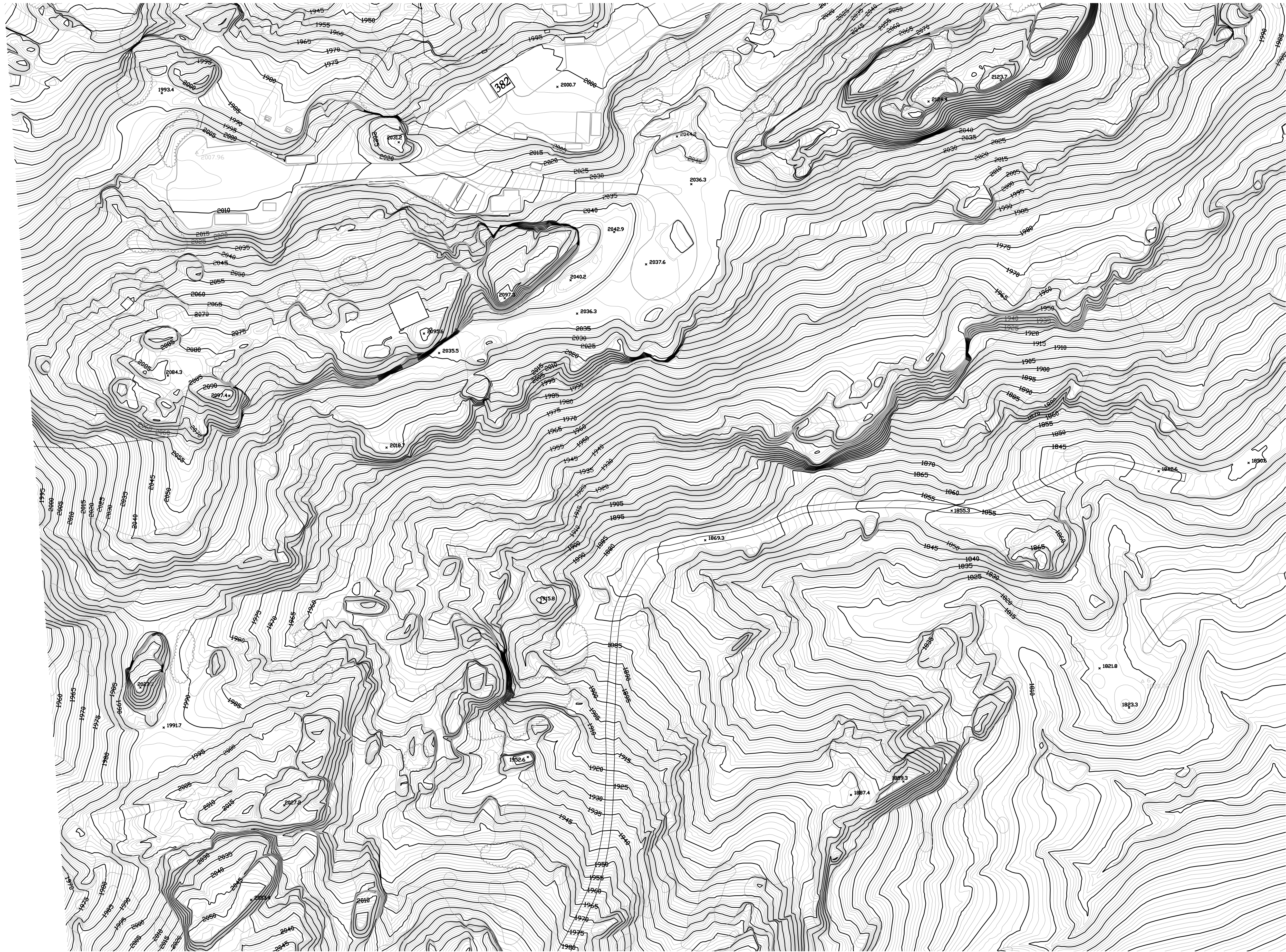


SAGE Consultants, Inc.
LAT 34°-13'-00" N LONG 119°-02'-40" W ELEV 55.438m

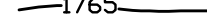

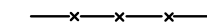










BOEING SSFL
REFINED ISRA PEAs and ISRA Areas
Post Excavation
OUTFALL 008

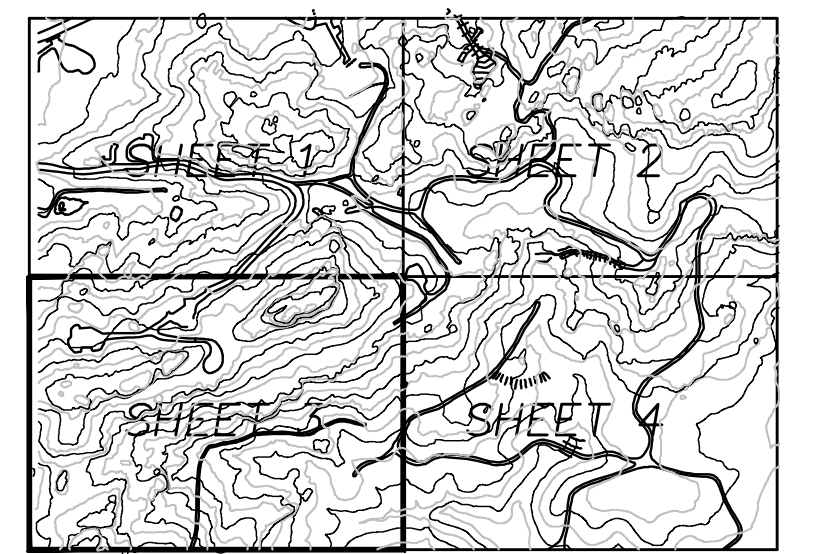
SHEET
2
OF 4

See Sheet 1 of 4



LEGEND

-  5' CONTOURS
-  1' CONTOURS
-  CHAINLINK FENCE
-  ASPHALT CONCRETE
-  CONCRETE
-  POST
-  TANK
-  SPOT ELEVATION
-  TREE
-  AERIAL TARGET
-  BUILDING
-  UTILITY POLE WITH LIGHT
-  UTILITY POLE



SHEET INDEX

See Sheet 4 of 4

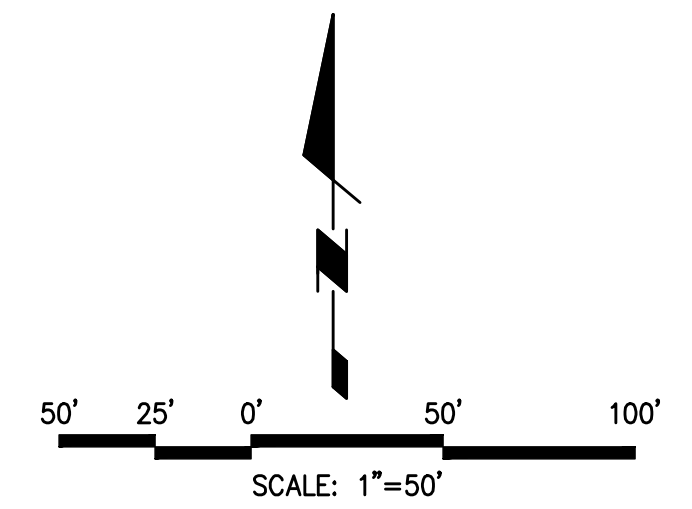
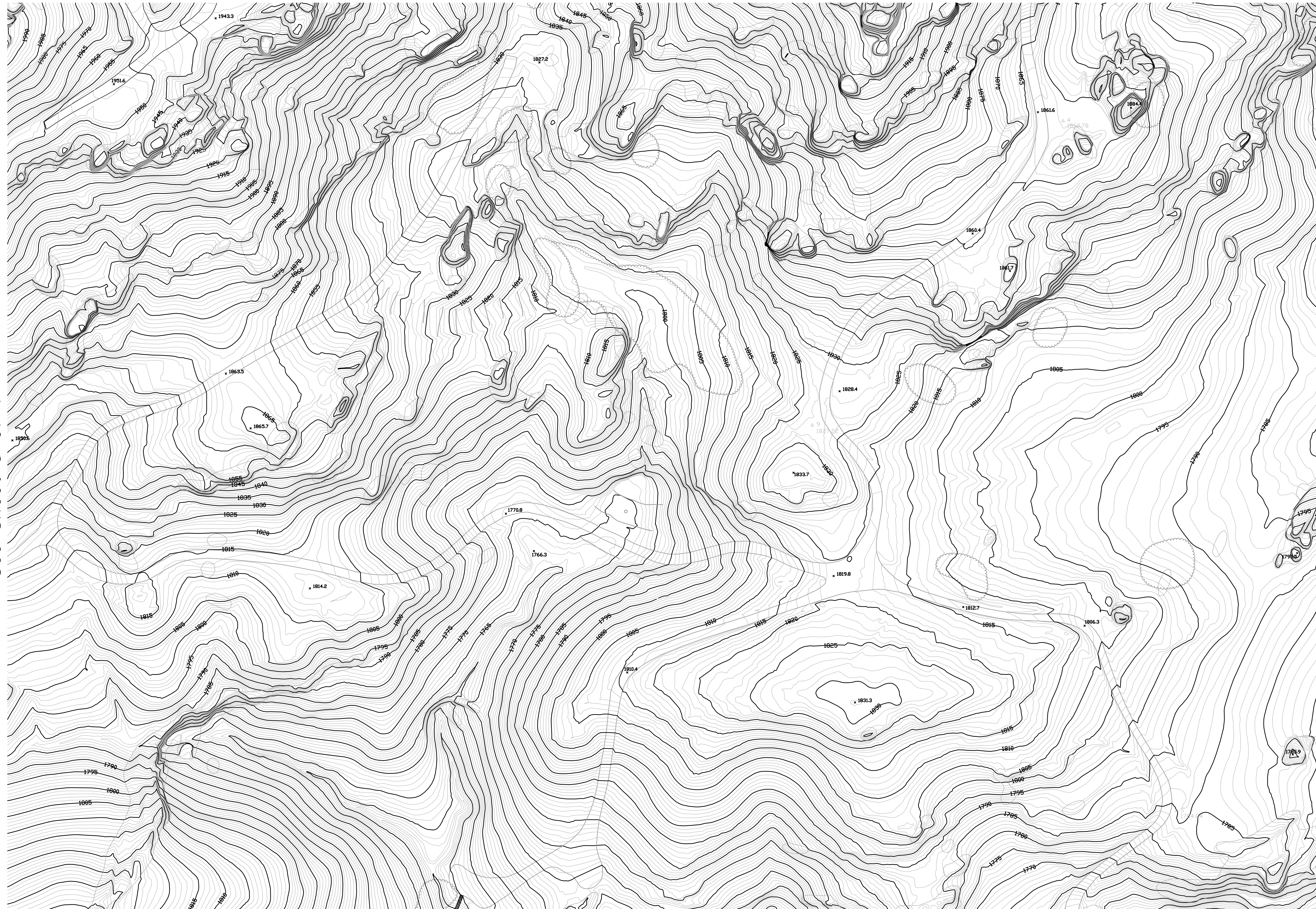


Robert E. Littell
 ROBERT E. LITTELL RCE 13395
 February 8, 2010

SAGE Consultants, Inc.
 LAT 34°-13'-00" N LONG 119°-02'-40" W ELEV 55.438m

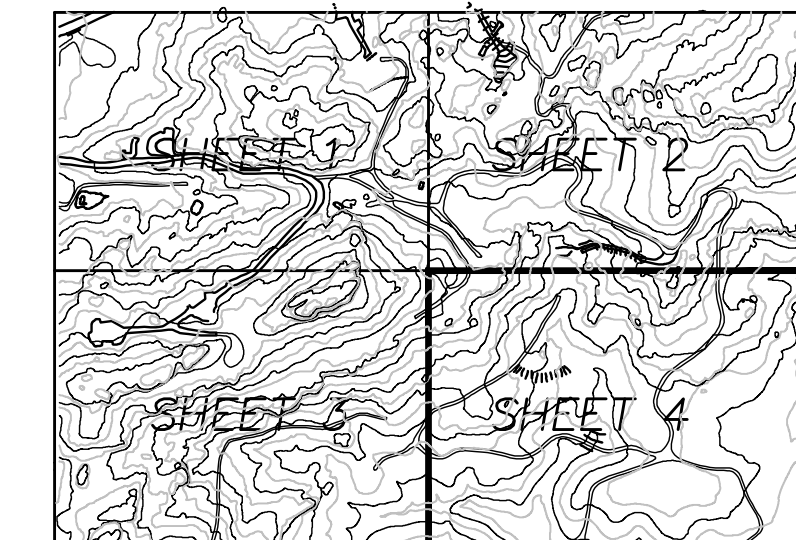
BOEING SSFL
 REFINED ISRA PEAs and ISRA Areas
 Post Excavation
 OUTFALL 008

SHEET
 3
 OF 4



LEGEND

- 5' CONTOURS
- 1' CONTOURS
- CHAINLINK FENCE
- ASPHALT CONCRETE
- CONCRETE
- POST
- TANK
- SPOT ELEVATION
- TREE
- AERIAL TARGET
- BUILDING
- UTILITY POLE WITH LIGHT
- UTILITY POLE



SHEET INDEX



Robert E. Littell

ROBERT E. LITTELL RCE 13396
February 8, 2010

SAGE Consultants, Inc.
LAT 34°-13'-00" N LONG 119°-02'-40" W ELEV 55.438m

BOEING SSFL
REFINED ISRA PEAs and ISRA Areas
Post Excavation
OUTFALL 008

SHEET
4
OF 4